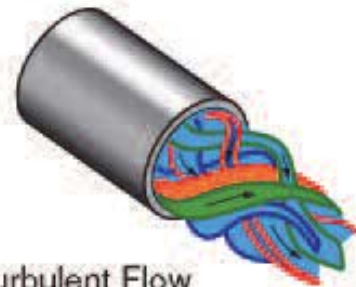


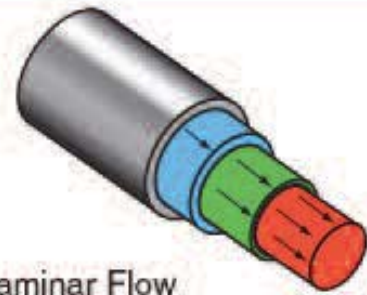
U.S. Patent No. 7,549,348

Dr. Eddy diagnoses flow condition.

Using Fluid Characteristic Indication (FCI) technology, Dr. Eddy displays the condition of the water as it relates to flow efficiency: laminar flow, transient flow, or turbulent flow. Dr. Eddy has four scales built into the meter: three scales for FCI and one scale for flow rate. FCI Scales are selectable and correspond to cooling line inside diameter: 1/4", 3/8", or 1/2". Flow rate scale can be referenced quickly for additional functionality. The flow scale displays flow rate in gallons or liters per minute depending on the model. A dual scale temperature gauge is standard on all models for process comparison to the FCI Scales. Dr. Eddy applies the science of heat transfer, diagnosing the condition of cooling water lines at a glance. Cooling water capacity can be conserved plant-wide by using the minimum amount of flow that will produce turbulence on all presses. It may be possible to delay costly water system upgrades by maximizing the flow effectivity.



Turbulent Flow

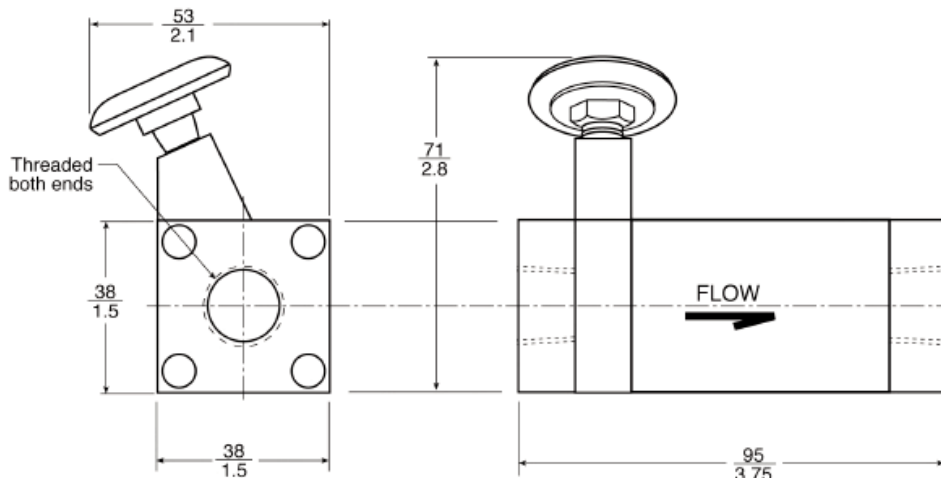


Laminar Flow

Turbulent Flow Basics

Turbulent water flow is much more efficient at removing heat in a cooling system than water flowing under laminar conditions.

Once turbulent flow is achieved, increasing the flow rate does not significantly improve the cooling rate of the system. In molding applications, many mold operators try to maximize the flow of water through their cooling systems to ensure turbulent flow. Doing so increases energy costs for pumping more water than necessary through the system. This practice may also limit the amount of cooling water available for cooling additional molds on the same cooling system circuit. By insuring turbulent flow using FCI Technology, less water can be used in the molding process, saving precious resources.



Linear = $\frac{\text{mm}}{\text{inches}}$

NPT Thread

Type	Size (of inlet)	Material (of End Caps)	Scale Units	Quick Disconnects?	Part #	Price Each	
FCI Flowmeter w/ Temp. and Flow gauges	1/4"	Nylon	English (°F)	-	FCP2BE	\$108.00	
				Yes	FCP2EE	\$126.00	
		Brass		-	FC2BE	\$128.00	
				Yes	FC2EE	\$146.00	
	3/8"	Nylon		-	FCP3BE	\$108.00	
				Yes	FCP3EE	\$126.00	
		Brass		-	FC3BE	\$128.00	
				Yes	FC3EE	\$146.00	
	1/4"	Nylon	Metric (°C)	-	FCP2BM	\$108.00	
				Yes	FCP2EM	\$126.00	
				Brass	-	FC2BM	\$128.00
					Yes	FC2EM	\$146.00
3/8"		Nylon		-	FCP3BM	\$108.00	
				Yes	FCP3EM	\$126.00	
		Brass		-	FC3BM	\$128.00	
				Yes	FC3EM	\$146.00	

BSP Thread

Type	Size (of inlet)	Material (of End Caps)	Scale Units	Quick Disconnects?	Part #	Price Each	
FCI Flowmeter w/ Temp. and Flow gauges	1/4"	Nylon	English (°F)	-	FCP2BBE	\$108.00	
				Yes	FCP2BEE	\$126.00	
		Brass		-	FC2BBE	\$128.00	
				Yes	FC2BEE	\$146.00	
	3/8"	Nylon		-	FCP3BBE	\$108.00	
				Yes	FCP3BEE	\$126.00	
		Brass		-	FC3BBE	\$128.00	
				Yes	FC3BEE	\$146.00	
	1/4"	Nylon	Metric (°C)	-	FCP2BBM	\$108.00	
				Yes	FCP2BEM	\$126.00	
				Brass	-	FC2BBM	\$128.00
					Yes	FC2BEM	\$146.00
3/8"		Nylon		-	FCP3BBM	\$108.00	
				Yes	FCP3BEM	\$126.00	
		Brass		-	FC3BBM	\$128.00	
				Yes	FC3BEM	\$146.00	