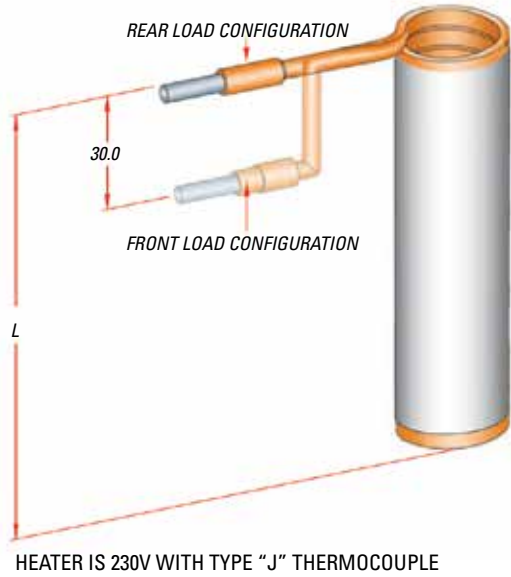


# DME Valve Gate System Replacement Parts

## FRONT- AND REAR-LOAD NOZZLE HEATERS



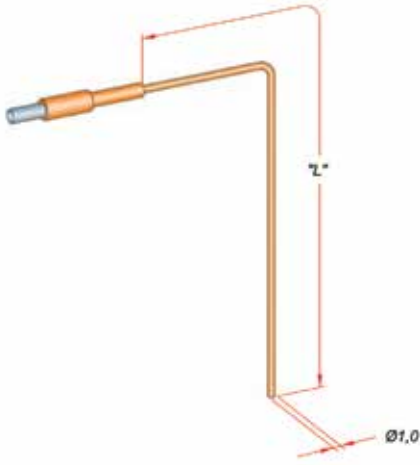
SERIES	HEATER HEM REAR LOAD	HEATER HEM FRONT LOAD	HEATER LENGTH
VGS50	VRHR05040	VRHF05040	40.0
	VRHR05055	VRHF05055	55.0
	VRHR05080	VRHF05080	80.0
	VRHR05105	VRHF05105	105.0
VGS200	VRHR06052	VRHF06052	52.0
	VRHR06064	VRHF06064	64.0
	VRHR06077	VRHF06077	77.0
	VRHR06090	VRHF06090	90.0
	VRHR06115	VRHF06115	115.0
	VRHR06140	VRHF06140	140.0
VGS500	VRHR06152	VRHF06152	152.0
	VRHR10056	VRHF10056	56.5
	VRHR10069	VRHF10069	69.5
	VRHR10081	VRHF10081	81.5
	VRHR10094	VRHF10094	94.5
	VRHR10107	VRHF10107	107.0
	VRHR10131	VRHF10131	131.5
	VRHR10158	VRHF10158	158.0
VGS800	VRHR10183	VRHF10183	183.5
	VRHR14070	VRHF14070	70.0
	VRHR14095	VRHF14095	95.0
	VRHR14120	VRHF14120	120.0
	VRHR14145	VRHF14145	145.0
VGS1000	VRHR14170	VRHF14170	170.0
	VRHR18102	VRHF18102	102.0
	VRHR18127	VRHF18127	127.0
	VRHR18153	VRHF18153	153.0
	VRHR18178	VRHF18178	178.0

Dimensions are in millimeters

# DME Valve Gate System Replacement Parts

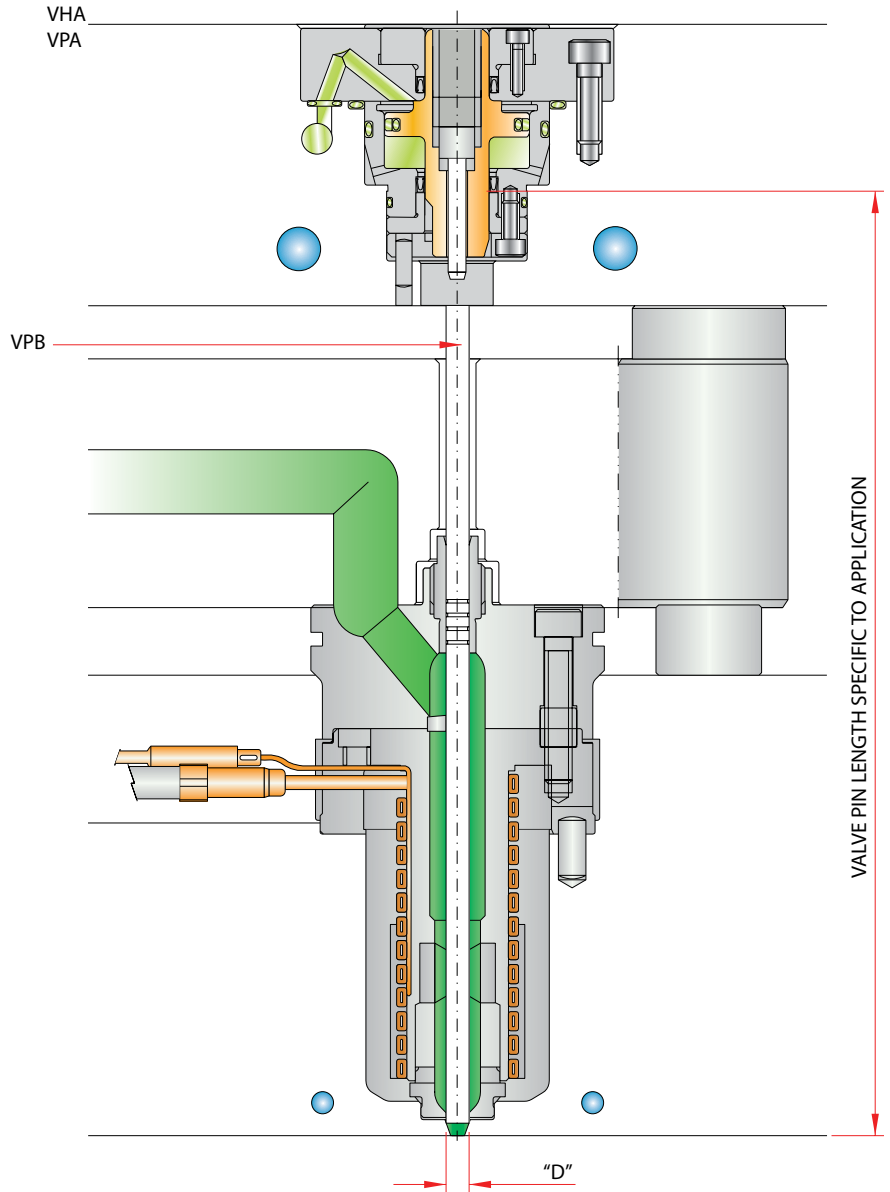
## NOZZLE THERMOCOUPLES

TYPE J THERMOCOUPLE - TCH



ITEM NUMBER	DIMENSION "L" (mm)
TCH01080	80
TCH01100	100
TCH01120	120
TCH01140	140
TCH01160	160
TCH01180	180
TCH01200	200
TCH01220	220
TCH01240	240
TCH01260	260
TCH01280	280
TCH01300	300
TCH01320	320
TCH01340	340
TCH01360	360
TCH01380	380
TCH01400	400
TCH01420	420
TCH01440	440
TCH01460	460
TCH01480	480
TCH01500	500
TCH01520	520
TCH01540	540
TCH01560	560
TCH01580	580

## VGS50, VGS200, VGS500, VGS800, VGS1000 SERIES VALVE PINS



**NOTE:** Valve pins are modified from blanks to meet required system stack-up and gate diameter. Contact DME Application Engineering or Technical Service for assistance.

VALVE PIN DIMENSIONS							
SERIES	DIMENSION "D"	VALVE PIN BLANK					
	Ø (MM)	100MM	200MM	300MM	400MM	500MM	600MM
VGS50	2.5	VPB06600	VPB06610	VPB06620			
VGS200	4.0		VPB10600	VPB10610	VPB10620		
VGS500	5.0		VPB12600	VPB12610	VPB12620		
VGS800	6.0				VPB16600	VPB16610	VPB16620
VGS1000	8.0				VPB20600	VPB20610	VPB20620

Dimensions are in millimeters



*Every step of the way*

[www.dme.net](http://www.dme.net)

**World Headquarters**

**DME Company**

29111 Stephenson Highway  
Madison Heights, MI 48071  
800-626-6653 *toll-free tel*  
248-398-6000 *tel*  
888-808-4363 *toll-free fax*  
sales@dme.net *e-mail*

**DME of Canada Ltd**

6210 Northwest Drive  
Mississauga, Ontario  
Canada L4V 1J6

800-387-6600 *toll-free tel*  
905-677-6370 *tel*  
800-461-9965 *toll-free fax*  
dme\_canada@dme.net *e-mail*

**DME Europe Belgium**

**C.V.B.A**

Industriepark Noord  
B-2800 Mechelen Belgium  
32-15-215011 *tel*  
32-15-218235 *fax*  
sales@dmeeu.com *e-mail*

**DME Mold Technology  
(Shenzhen) Co., Ltd.**

C-108 Huahan Building  
No. 16 Langshan Rd.  
Northern Hi-Tech Industrial Zone  
Nanshan District,  
Shenzhen 518057, China  
(86-755) 8601 9031 *tel*  
(86-755) 8601 6583 *fax*  
cs@dmechina.net *e-mail*