

DME GENERAL TRANSFORMER SPECIFICATIONS - SUBJECT TO CHANGE

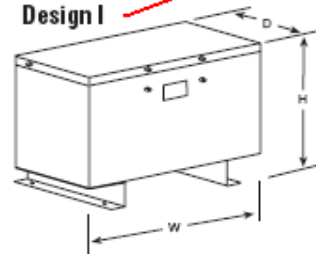
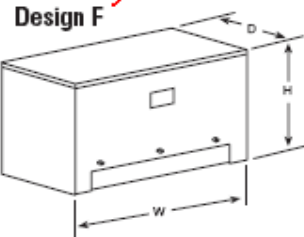
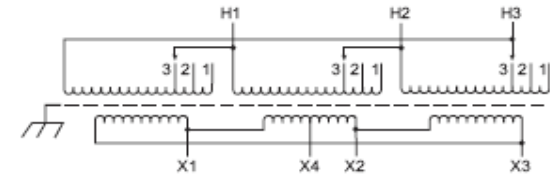
480 DELTA PRIMARY VOLTS -- 240 DELTA / 120 TAP SECONDARY VOLTS
MAY BE USED ON A 4 WIRE 480Y/277 VOLT SUPPLY -- 3Ø, 60 Hz



KVA	APPROX. DIMENSIONS Inches (Cm)			APPROX. SHIP WEIGHT Lbs. (Kg)	TYPE MTG. W - Wall F - Floor	KNOCKOUTS Inches (Cm)	WEATHER SHIELD P/N	Wiring Diagrams & Design Figures Begin on Page 146
	HEIGHT	WIDTH	DEPTH					
3.0	10.38 (26.4)	12.37 (31.4)	7.47 (19.0)	75 (34.0)	W	0.75-1.25 (1.9-3.2)	NA	25-F
6.0	11.83 (30.0)	14.17 (36.0)	8.82 (22.4)	140 (63.5)	W	0.75-1.25 (1.9-3.2)	NA	25-F
9.0	14.03 (36.0)	17.77 (45.1)	11.52 (29.3)	180 (81.6)	W	0.75-1.25 (1.9-3.2)	NA	25-F
15.0	18.86 (47.9)	20.30 (51.6)	9.03 (22.9)	250 (113.0)	F	NA	NA	25-I

25

PRIMARY: 480 Volts Delta
SECONDARY: 240 Volts Delta/120 Volts
TAPS: 2, 5% BNFC



Primary Volts	Connect Primary Lines To	Inter-Connect	Connect Secondary Lines To
480	H1, H2, H3	1	
456	H1, H2, H3	2	
432	H1, H2, H3	3	

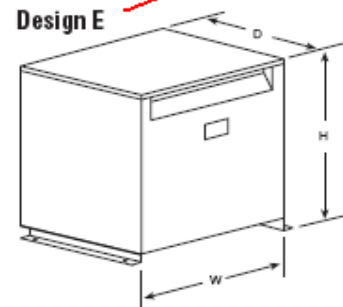
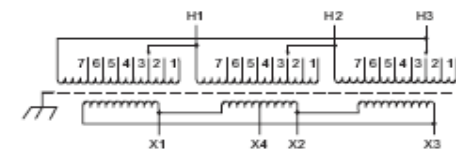
Secondary Volts			
240			X1, X2, X3
120			X1, X4 or X2, X4

480 DELTA PRIMARY VOLTS -- SHIELDED UNITS -- 240 DELTA / 120 TAP SECONDARY VOLTS
MAY BE USED ON A 4 WIRE 480Y/277 VOLT SUPPLY -- 3Ø, 60 Hz

KVA	APPROX. DIMENSIONS Inches (Cm)			APPROX. SHIP WEIGHT Lbs. (Kg)	TYPE MTG. W - Wall F - Floor	KNOCKOUTS Inches (Cm)	WEATHER SHIELD P/N	Wiring Diagrams & Design Figures Begin on Page 146
	HEIGHT	WIDTH	DEPTH					
30.0	29.59 (75.2)	25.15 (63.9)	22.50 (57.2)	365 (165.6)	F	NA	WS-A-8	26-E
45.0	29.59 (75.2)	25.15 (63.9)	22.50 (57.2)	460 (208.7)	F	NA	WS-A-8	26-E
75.0	29.59 (75.2)	25.15 (63.9)	22.50 (57.2)	530 (240.4)	F	NA	WS-A-8	26-E

26

PRIMARY: 480 Volts Delta
SECONDARY: 240 Volts Delta/120 Volts
TAPS: 2, 2 1/2% ANFC, 4, 2 1/2% BNFC



Primary Volts	Connect Primary Lines To	Inter-Connect	Connect Secondary Lines To
504	H1, H2, H3	1	
492	H1, H2, H3	2	
480	H1, H2, H3	3	
468	H1, H2, H3	4	
456	H1, H2, H3	5	
444	H1, H2, H3	6	
432	H1, H2, H3	7	

Secondary Volts			
240			X1, X2, X3
120			X1, X4 or X2, X4