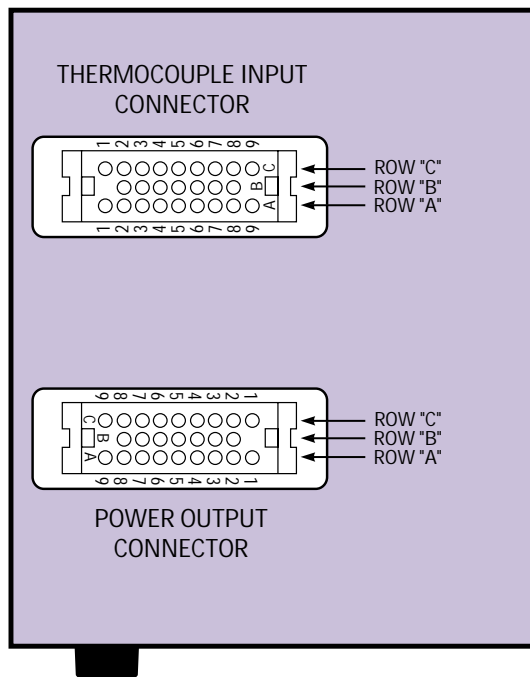


# Smart Series® Mainframe Connector Wiring

## STANDARD MAINFRAME CONNECTOR WIRING

Side of Mainframe



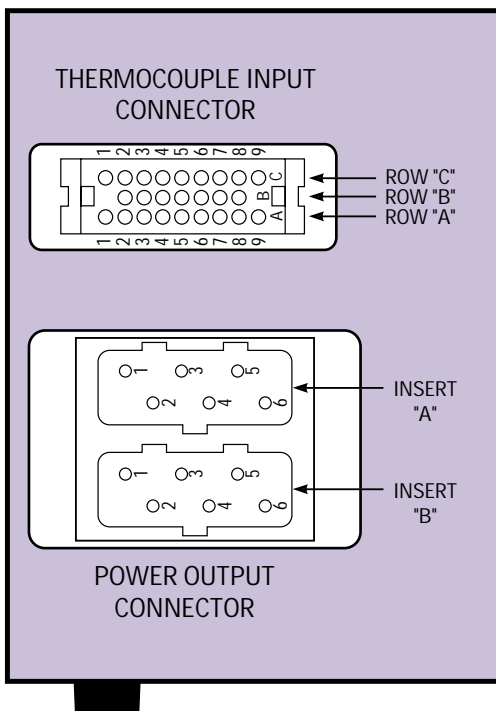
ZONE	THERMOCOUPLE INPUT
1	ROW "A" TERMINALS 1 (WHT) + 2 (RED)
2	ROW "A" TERMINALS 3 (WHT) + 4 (RED)
3	ROW "A" TERMINALS 5 (WHT) + 6 (RED)
4	ROW "A" TERMINALS 7 (WHT) + 8 (RED)
5	ROW "B" TERMINALS 2 (WHT) + 3 (RED)
6	ROW "B" TERMINALS 4 (WHT) + 5 (RED)
7	ROW "B" TERMINALS 6 (WHT) + 7 (RED)
8	ROW "C" TERMINALS 1 (WHT) + 2 (RED)
9	ROW "C" TERMINALS 3 (WHT) + 4 (RED)
10	ROW "C" TERMINALS 5 (WHT) + 6 (RED)
11	ROW "C" TERMINALS 7 (WHT) + 8 (RED)
12	ROW "A" TERM. 9 (WHT) ROW "C" TERM. 9 (RED)
ROW "B" TERMINAL 8 IS NOT USED	

ZONE	POWER OUTPUT
1	ROW "A" TERMINALS 1 + 2
2	ROW "A" TERMINALS 3 + 4
3	ROW "A" TERMINALS 5 + 6
4	ROW "A" TERMINALS 7 + 8
5	ROW "B" TERMINALS 2 + 3
6	ROW "B" TERMINALS 4 + 5
7	ROW "B" TERMINALS 6 + 7
8	ROW "C" TERMINALS 1 + 2
9	ROW "C" TERMINALS 3 + 4
10	ROW "C" TERMINALS 5 + 6
11	ROW "C" TERMINALS 7 + 8
12	ROW "A" + "C" TERMINALS 9
ROW "B" TERMINAL 8 IS NOT USED	

- NOTE:**
1. Mating cable connectors are wired the same as frame connectors shown.
  2. Wires in frames are color coded for reference when rewiring of frame connectors is necessary (see owner's manual).
  3. All grounds must be connected to ensure operator safety.

## HIGH POWER MAINFRAME CONNECTOR WIRING

Side of Mainframe



ZONE	THERMOCOUPLE INPUT
1	ROW "A" TERMINALS 1 (WHT) + 2 (RED)
2	ROW "A" TERMINALS 3 (WHT) + 4 (RED)
3	ROW "A" TERMINALS 5 (WHT) + 6 (RED)
4	ROW "A" TERMINALS 7 (WHT) + 8 (RED)
5	ROW "B" TERMINALS 2 (WHT) + 3 (RED)

FOR 5 ZONE CONNECTOR (SHOWN)

ZONE	INSERT	TERM
1	INSERT "A"	1 + 2
2	INSERT "A"	3 + 4
3	INSERT "A"	5 + 6
4	INSERT "B"	1 + 2
5	INSERT "B"	3 + 4
NO CONNECTION "B"		5 + 6

FOR 2 & 3 ZONE CONNECTOR (WITH INSERT "A" ONLY)

ZONE	INSERT	TERM
1	INSERT "A"	1 + 2
2	INSERT "A"	3 + 4
3	INSERT "A"	5 + 6