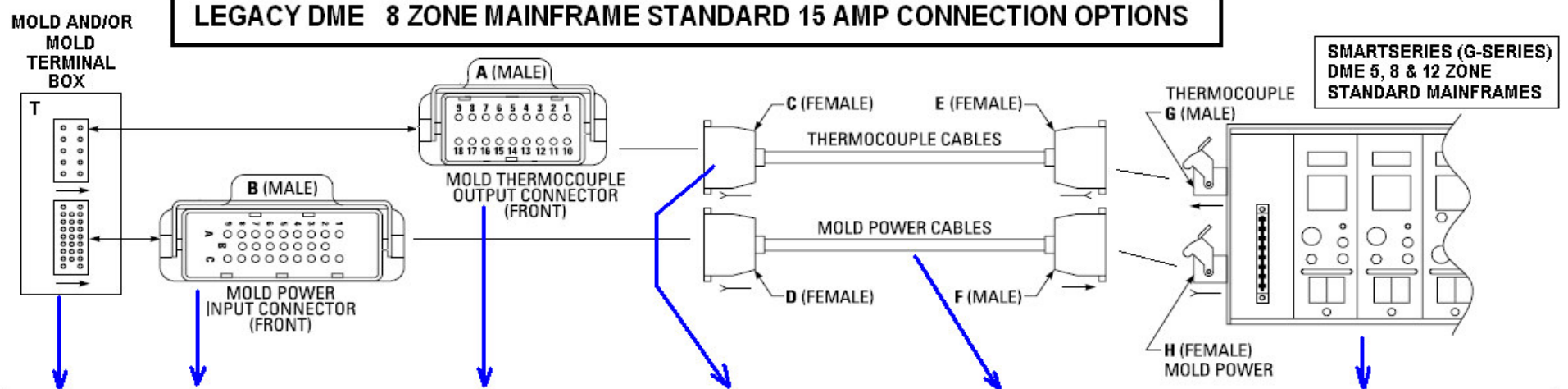


LEGACY DME 8 ZONE MAINFRAME STANDARD 15 AMP CONNECTION OPTIONS



T=MOLD TERMINAL BOX	B= MOLD POWER CONNECTOR	A=MOLD THERMOCOUPLE CONNECTOR	CE=J TYPE THERMOCOUPLE CABLE	DF=MOLD POWER CABLE	DME STANDARD 15AMP MAINFRAMES - CONNECTORS G & H ARE THE SAME FOR ALL 5, 8 & 12 ZONE FRAMES
MOUNT DIRECTLY ON THE MOLD - OR - ↓	PIC 8 G 6" LEADS CRIMPED PINS WITH 14 AWG WIRE	MTC 8 G SCREW TERMINALS	TC 8 C10G 10 FOOT CABLE	MPC 8 C10 G 10 FOOT CABLE	MFP8G STANDARD 8 ZONE MAINFRAME
	 RPM0072 15 AMP INSERT RPM0074 BASE PIN0114 14AWG MALE CRIMP PINS (30 PINS)	MTC-8-TB-G 			TC 8 C20G 20 FOOT CABLE
INDIVIDUAL MOLD TERMINAL BOX	PIC-512-TB-G 	MTC-8-TB-G 	TC 8 C20G 20 FOOT CABLE	MPC 8 C20 G 20 FOOT CABLE	MFCP8G (FOR EXT. ALARM & TAS) COMMUNICATION CONNECTORS 8 ZONE MAINFRAME WITH COMMUNICATION STRIP INSTALLED
COMBINATION MOLD TERMINAL BOX	PTC-8-TB-G 	PTC-8-TB-G 			TC 8 C20G 20 FOOT CABLE
PRE-WIRED COMBINATION TERMINAL BOXES COMPLETE AS SHOWN FOR 12 ZONES - OR -	 PTC-8-TB-G-TS	 PTC-8-TB-TS	TC 8 C20G 20 FOOT CABLE	MPC 8 C20 G 20 FOOT CABLE	