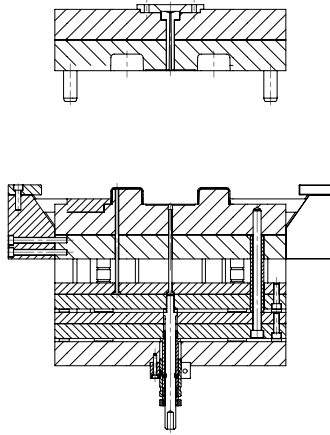
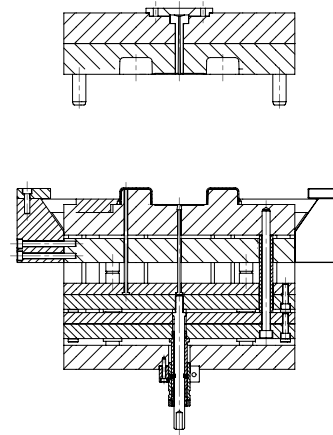


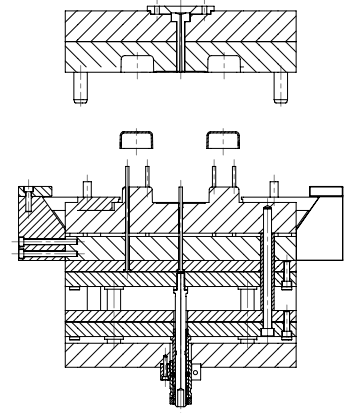
SECTION A-A  
EJECTOR PLATES BACK - MOLD CLOSED



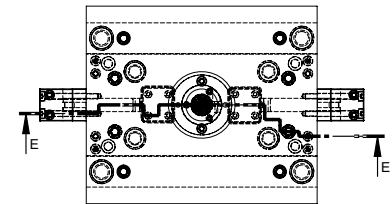
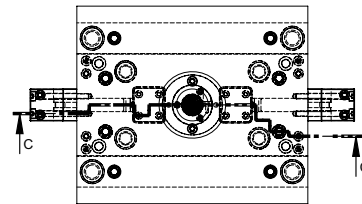
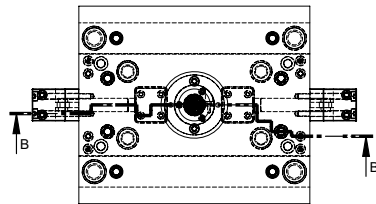
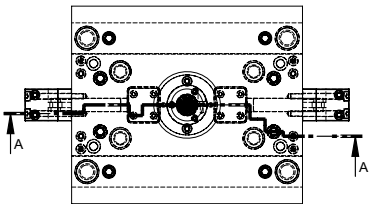
SECTION B-B  
EJECTOR PLATES BACK - MOLD OPEN



SECTION C-C  
FIRST EJECTOR STROKE



SECTION E-E  
SECOND EJECTOR STROKE



**TWO STAGE EJECTOR FW1800  
APPLICATION EXAMPLE 5**