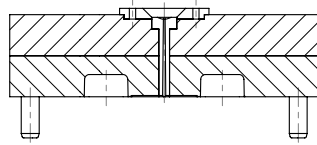


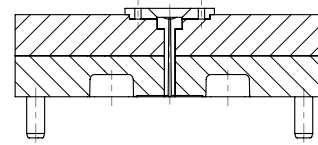
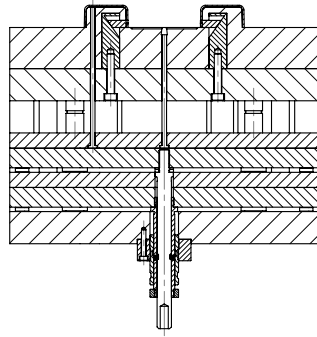
SECTION A-A

EJECTOR PLATES BACK - MOLD CLOSED



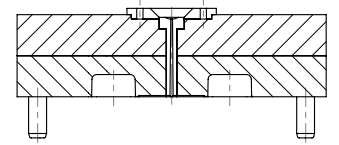
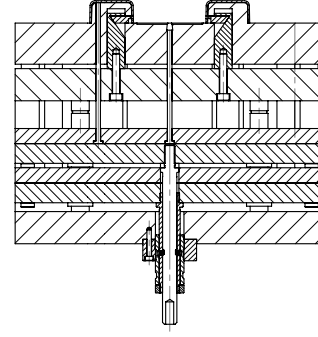
SECTION B-B

EJECTOR PLATES BACK - MOLD OPEN



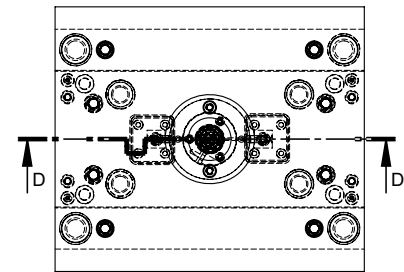
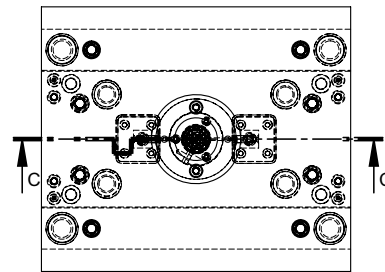
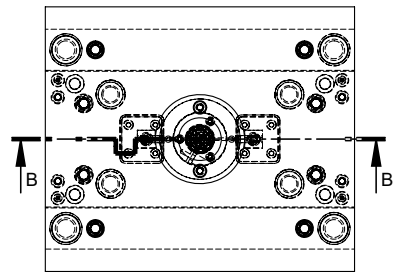
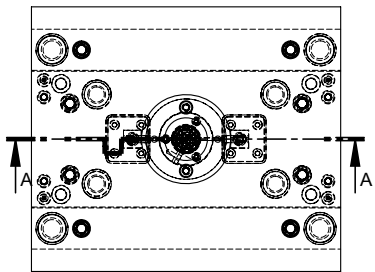
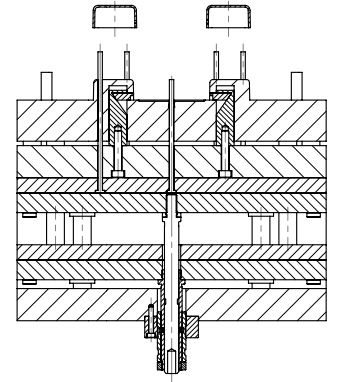
SECTION C-C

FIRST EJECTOR STROKE



SECTION D-D

SECOND EJECTOR STROKE



TWO STAGE EJECTOR FW1800 APPLICATION EXAMPLE 3