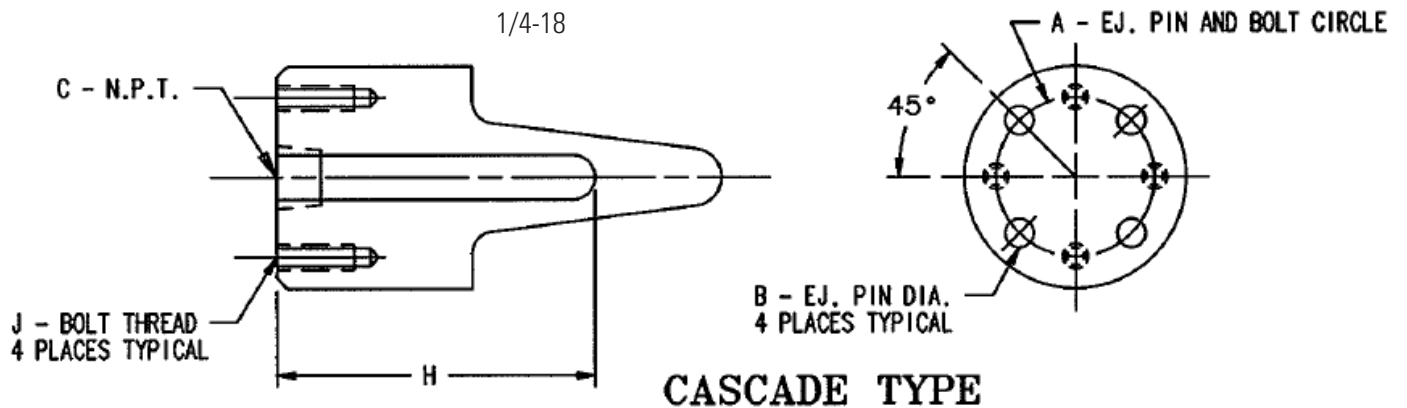
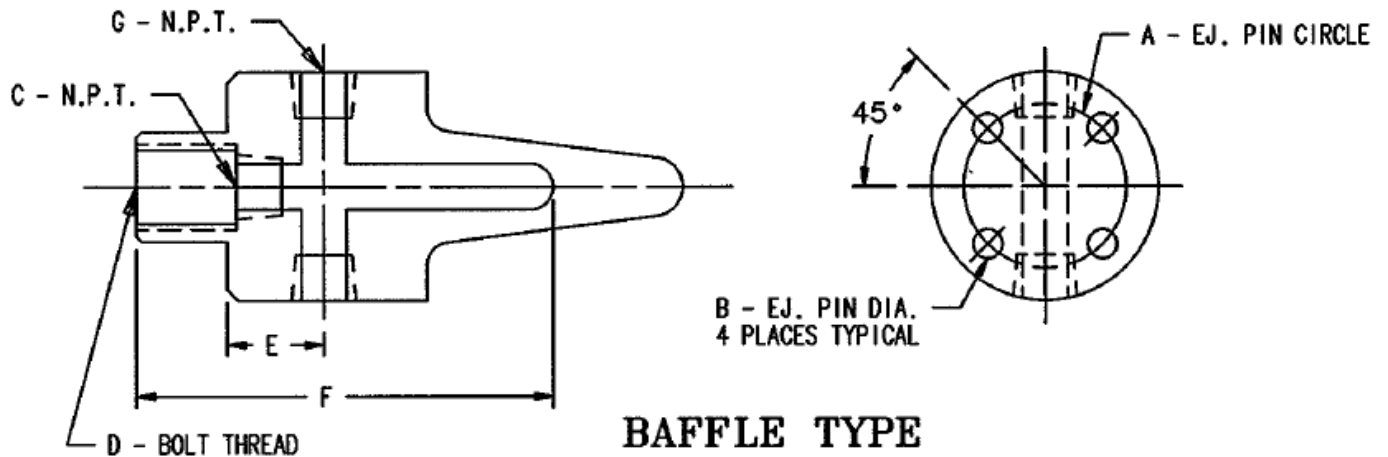




29111 Stephenson Hwy.  
Madison Heights, MI 48071 USA  
800-626-6653

## Dimensions for Replacement Tapered & Straight Sprue Spreaders (Baffle or Cascade)



CAT. #	A Nominal	B Nominal	C Nominal	D Baffle Type Only	E Baffle Type Only	F Baffle Type Only	G Baffle Type Only	H Cascade Type Only	J Cascade-Type Only
DC-10	1.000	.250	1/8-27	1/2-13	.75	2.25	1/8-27	-----	-----
DC-20	1.250	.250	1/8-27	1/2-13	.82	3.12	1/4-18	-----	-----
DC-110	1.500	.375	1/4-18	-----	-----	-----	-----	-----	-----
DC-113	1.500	.375	1/4-18	-----	-----	-----	-----	2.75	3/8-16
DC-210	1.500	.375	1/4-18	5/8-11	.82	4.75	1/4-18	-----	-----
DC-213	1.500	.375	1/4-18	-----	-----	-----	-----	4.00	3/8-16
DC-15	1.000	.250	1/8-27	1/2-13	.75	2.25	1/8-27	-----	-----
DC-18	1.000	.250	1/4-18	-----	-----	-----	-----	1.75	1/4-20
DC-25	1.250	.250	1/8-27	1/2-13	.82	3.12	1/4-18	-----	-----
DC-28	1.250	.250	1/4-18	-----	-----	-----	-----	2.62	1/4-20
DC-115	1.500	.375	1/4-18	5/8-11	.82	3.12	1/4-18	-----	-----
DC-118	1.500	.375	1/4-18	-----	-----	-----	-----	2.75	3/8-16
DC-215	1.500	.375	1/4-18	5/8-11	.82	4.75	1/4-18	-----	-----
DC-218	1.500	.375	1/4-18	-----	-----	-----	-----	4.00	3/8-16