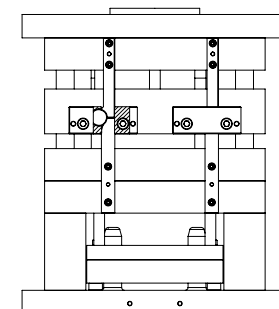
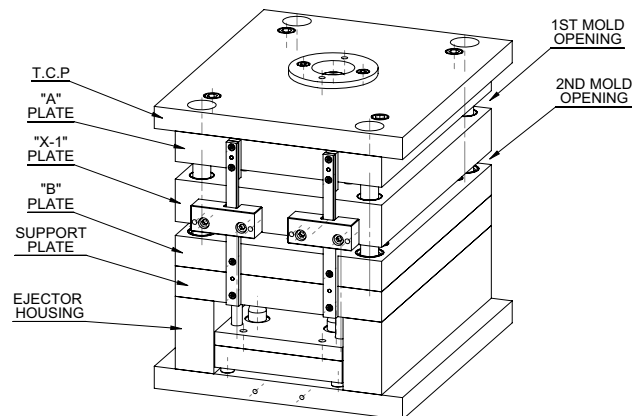
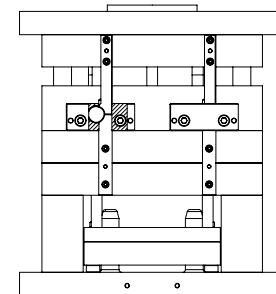
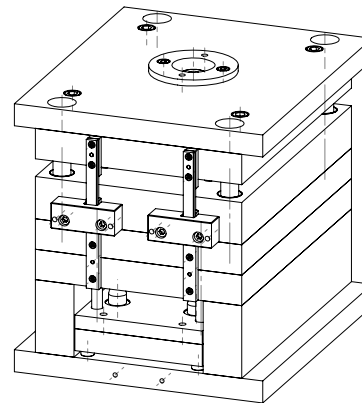
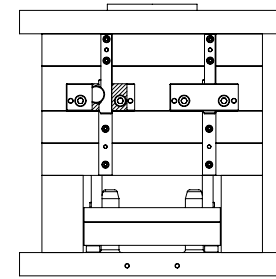
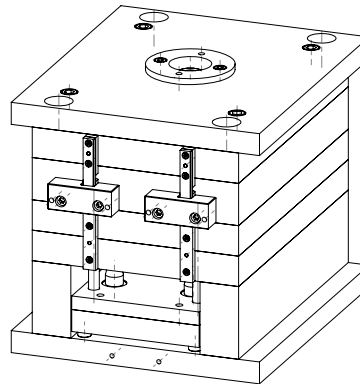


To Float "X-1" Plate Away from "A" Plate while locking "X-1" and "B" Plates

In this application of the Jiffy Latch-Lok, the "X-1" plate is floated away from the "A" plate in the first mold opening sequence. At a predetermined opening (you determine the distance) the "X-1" plate is released from the "B" plate for the second mold opening. This application of the Jiffy Latch-Lok is particularly effective on "AX" or three-plate top runner molds.



29111 Stephenson Hwy. Madison Heights, MI 48071

800-626-6653