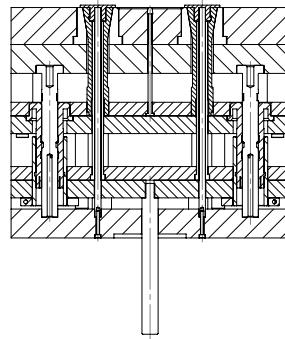
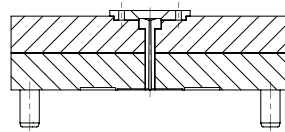
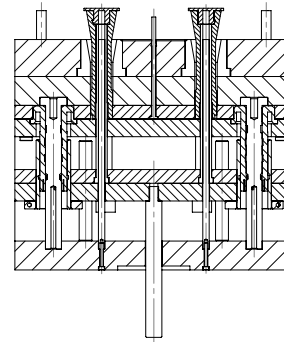
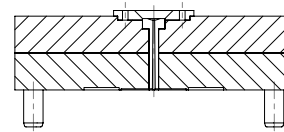


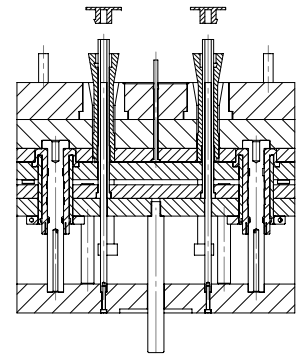
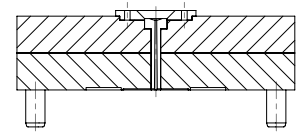
SECTION A-A



SECTION B-B



SECTION C-C



SECTION D-D

**STANDARD EXPANDABLE CAVITY WITH TWO STAGE EJECTOR BOTTOM LAST - TSBL
APPLICATION EXAMPLE 1**

