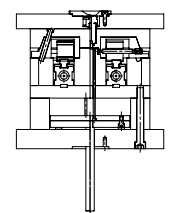
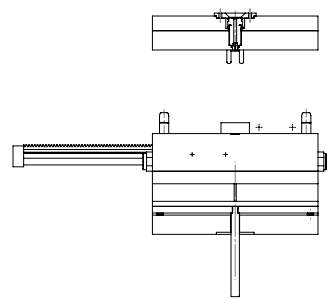
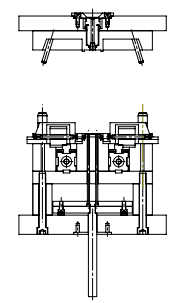
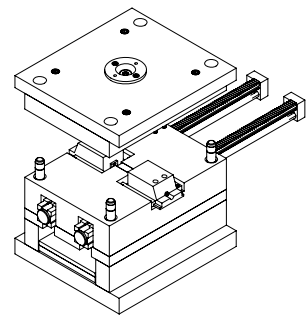
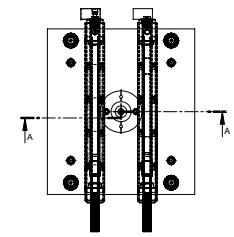
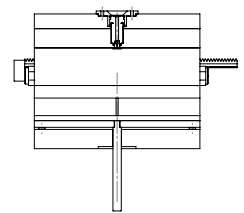
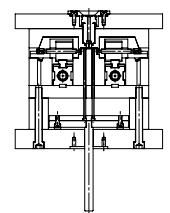
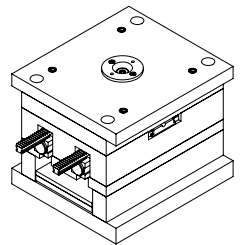


Hydraulic Unscrewing Device Assembly

Application C With Guiding Thread



SECTION A-A

