

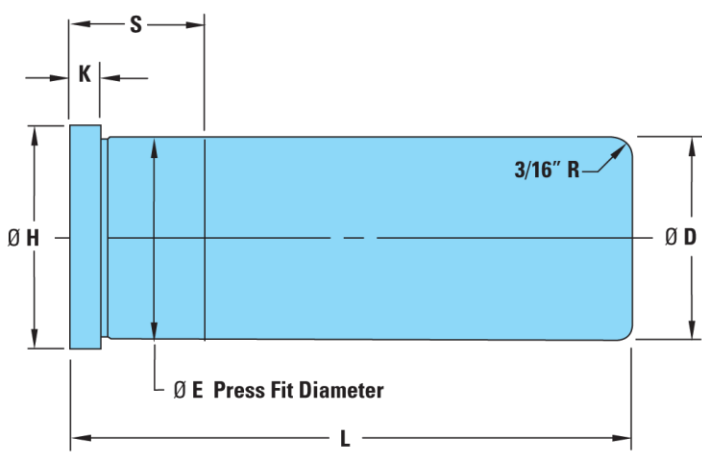


Special Guide Pins – Leader Pins
 Email Completed form to: cs_specials@dme.net
 United States: 888-808-4363 • Canada: 800-461-9965
 International: 248-398-7394

Company name: _____ DME account #: _____
 Contact name: _____ P.O. #: _____
 Phone: _____ FAX: _____
 Address: _____ E-mail: _____
 City: _____ State/Province: _____
 ZIP/Postal Code: _____ Country: _____

Shipping method:
 UPS Ground
 UPS 2nd Day Air
 UPS Next Day
 FedEx
 Other _____

Straight Guide Pins

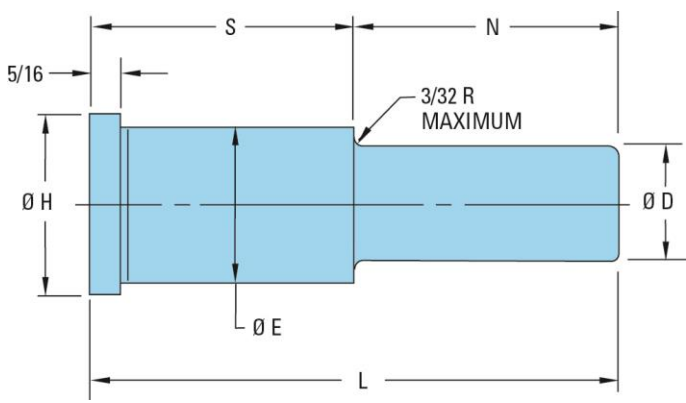


	Standard Dimensions (Circle Yes or No)		Requested Dimensions*	INCH Tolerances (Standard)
Ø D	Yes <input type="checkbox"/>	No <input type="checkbox"/>		+ .0000 - .0005
Ø E	Yes <input type="checkbox"/>	No <input type="checkbox"/>		+ .0005 - .0000
S	Yes <input type="checkbox"/>	No <input type="checkbox"/>		+ .00 - .06
Ø H	Yes <input type="checkbox"/>	No <input type="checkbox"/>		+ .00 - .03
L	Yes <input type="checkbox"/>	No <input type="checkbox"/>		+ .00 - .06
K	Yes <input type="checkbox"/>	No <input type="checkbox"/>		+ .003 - .005

* All requested dimensions must be specified for quoting.

Quantity: _____ Pieces

Shoulder Guide Pins



	Standard Dimensions (Circle Yes or No)		Requested Dimensions*	INCH Tolerances (Standard)
Ø D	Yes <input type="checkbox"/>	No <input type="checkbox"/>		+ .0000 - .0005
Ø E	Yes <input type="checkbox"/>	No <input type="checkbox"/>		+ .0005 - .0000
S	Yes <input type="checkbox"/>	No <input type="checkbox"/>		+ .00 - .03
N	Yes <input type="checkbox"/>	No <input type="checkbox"/>		+ .00 - .03
Ø H	Yes <input type="checkbox"/>	No <input type="checkbox"/>		+ .00 - .01
L	Yes <input type="checkbox"/>	No <input type="checkbox"/>		+ .00 - .06
K	Yes <input type="checkbox"/>	No <input type="checkbox"/>		+ .003 - .005

* All requested dimensions must be specified for quoting.

Quantity: _____ Pieces