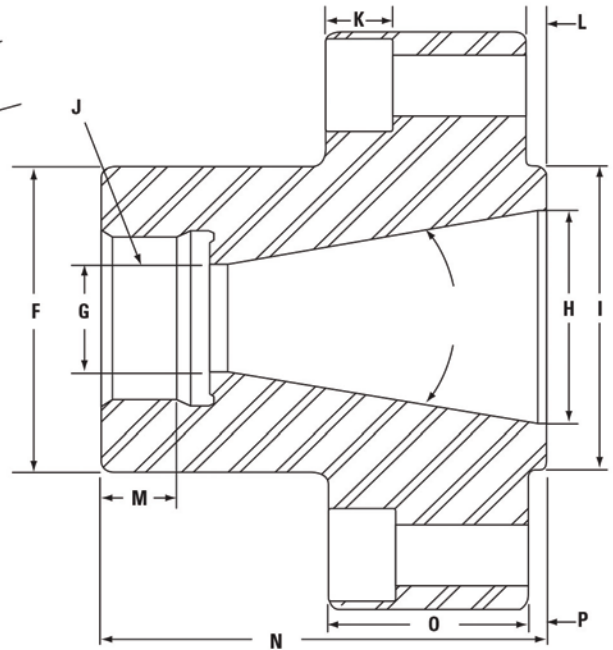
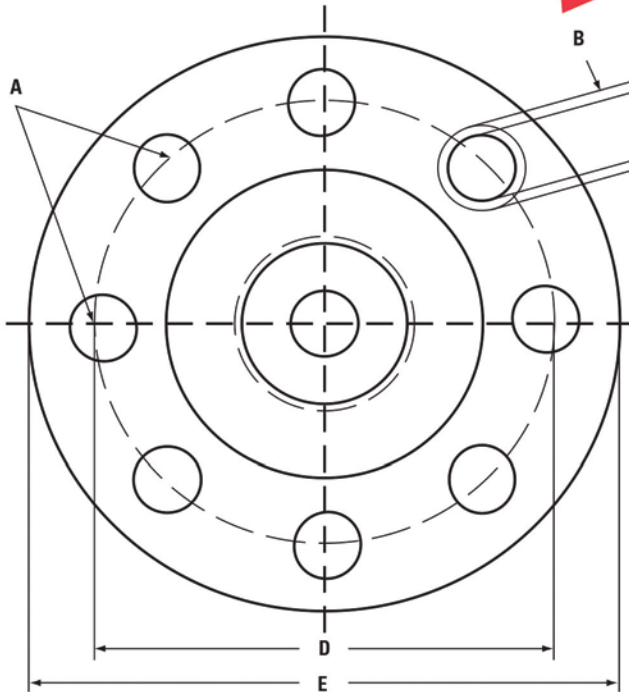


End Caps



Use this handy worksheet for a quick quote from one of our knowledgeable salespeople.



- | | | | |
|-------------------------------|-------|-------------------------------|-------|
| A. Number of bolt holes | _____ | J. Thread type | _____ |
| B. Counter bore dia. (if any) | _____ | K. Counterbore depth (if any) | _____ |
| C. Bolt hole diameter | _____ | L. Depth of straight bore | _____ |
| D. Bolt circle diameter | _____ | M. Depth of female thread | _____ |
| E. Flange diameter | _____ | N. Overall length | _____ |
| F. Nozzle support diameter | _____ | O. Flange width | _____ |
| G. Bore diameter | _____ | P. Length of pilot | _____ |
| H. Rear opening | _____ | Q. Cone angle | _____ |
| I. Pilot diameter | _____ | R. Surface treatment | _____ |

For a quick quote, please fill out the worksheet and fax to 888-808-4363.

Company: _____
 Account Number: _____
 Address: _____
 City: _____
 State/Zip: _____

Contact Name: _____
 Phone: _____
 Fax: _____
 E-mail: _____

SUBMIT