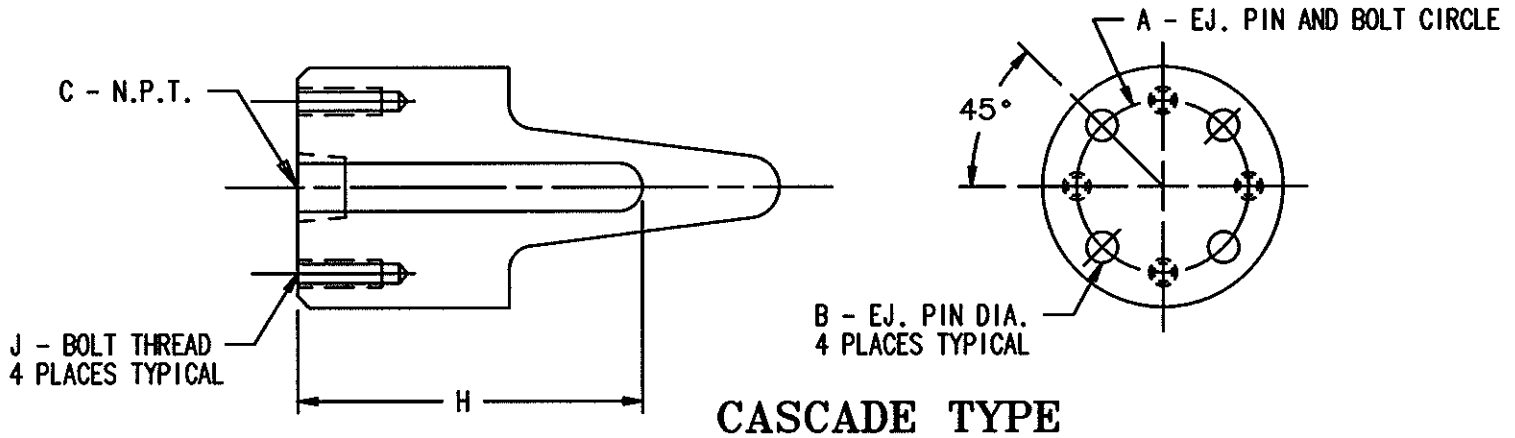
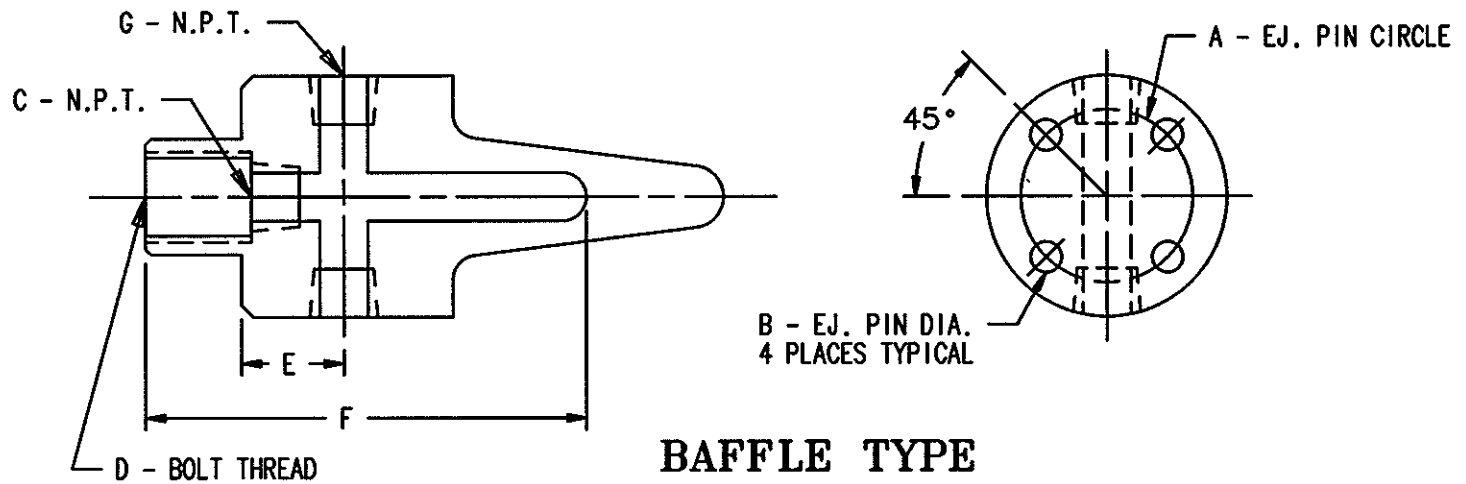


# DIMENSIONS FOR REPLACEMENT TAPERED AND STRAIGHT SPRUE SPREADERS ( BAFFLE OR CASCADE )



CAT. NO.	A NOMINAL	B NOMINAL	C NOMINAL	D BAFFLE TYPE ONLY	E BAFFLE TYPE ONLY	F BAFFLE TYPE ONLY	G BAFFLE TYPE ONLY	H CASCADE TYPE ONLY	J CASCADE TYPE ONLY
DC-10	1.000	.250	1/8-27	1/2-13	.75	2.25	1/8-27	---	---
DC-20	1.250	.250	1/8-27	1/2-13	.82	3.12	1/4-18	---	---
DC-110	1.500	.375	1/4-18	5/8-11	.82	3.12	1/4-18	---	---
DC-113	1.500	.375	1/4-18	---	---	---	---	2.75	3/8-16
DC-210	1.500	.375	1/4-18	5/8-11	.82	4.75	1/4-18	---	---
DC-213	1.500	.375	1/4-18	---	---	---	---	4.00	3/8-16
DC-15	1.000	.250	1/8-27	1/2-13	.75	2.25	1/8-27	---	---
DC-18	1.000	.250	1/4-18	---	---	---	---	1.75	1/4-20
DC-25	1.250	.250	1/8-27	1/2-13	.82	3.12	1/4-18	---	---
DC-28	1.250	.250	1/4-18	---	---	---	---	2.62	1/4-20
DC-115	1.500	.375	1/4-18	5/8-11	.82	3.12	1/4-18	---	---
DC-118	1.500	.375	1/4-18	---	---	---	---	2.75	3/8-16
DC-215	1.500	.375	1/4-18	5/8-11	.82	4.75	1/4-18	---	---
DC-218	1.500	.375	1/4-18	---	---	---	---	4.00	3/8-16