



### Special Guide Pins – Faxable Quote Form

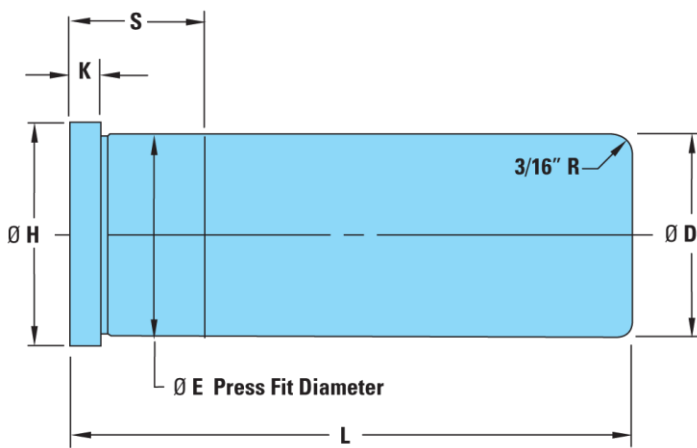
Email Completed form to: [dme@milacron.com](mailto:dme@milacron.com)  
 United States: 888-808-4363 • Canada: 800-461-9965  
 International: 248-398-7394



Company name: \_\_\_\_\_ DME account #: \_\_\_\_\_  
 Contact name: \_\_\_\_\_ P.O. #: \_\_\_\_\_  
 Phone: \_\_\_\_\_ FAX: \_\_\_\_\_  
 Address: \_\_\_\_\_ E-mail: \_\_\_\_\_  
 City: \_\_\_\_\_ State/Province: \_\_\_\_\_  
 ZIP/Postal Code: \_\_\_\_\_ Country: \_\_\_\_\_

Shipping method:  
 UPS Ground  
 UPS 2nd Day Air  
 UPS Next Day  
 FedEx  
 Other \_\_\_\_\_

#### Straight Guide Pins

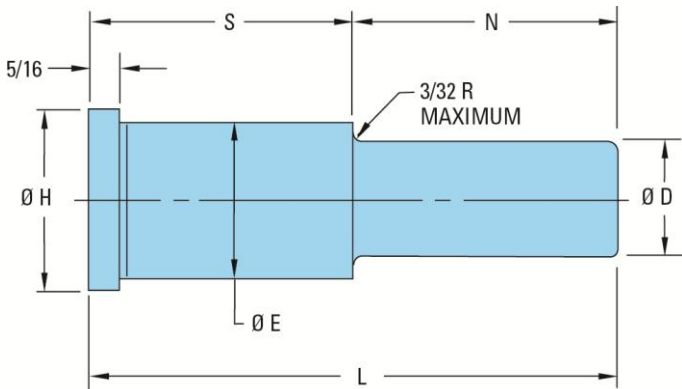


	Standard Dimensions (Circle Yes or No)		Requested Dimensions*	INCH Tolerances (Standard)
Ø D	Yes <input type="checkbox"/>	No <input type="checkbox"/>		+0.000 -0.0005
Ø E	Yes <input type="checkbox"/>	No <input type="checkbox"/>		+0.0005 -0.0000
S	Yes <input type="checkbox"/>	No <input type="checkbox"/>		+0.0 -0.06
Ø H	Yes <input type="checkbox"/>	No <input type="checkbox"/>		+0.0 -0.03
L	Yes <input type="checkbox"/>	No <input type="checkbox"/>		+0.0 -0.06
K	Yes <input type="checkbox"/>	No <input type="checkbox"/>		+0.003 -0.005

\* All requested dimensions must be specified for quoting.

Quantity: \_\_\_\_\_ Pieces

#### Shoulder Guide Pins



	Standard Dimensions (Circle Yes or No)		Requested Dimensions*	INCH Tolerances (Standard)
Ø D	Yes <input type="checkbox"/>	No <input type="checkbox"/>		+0.000 -0.0005
Ø E	Yes <input type="checkbox"/>	No <input type="checkbox"/>		+0.0005 -0.0000
S	Yes <input type="checkbox"/>	No <input type="checkbox"/>		+0.0 -0.03
N	Yes <input type="checkbox"/>	No <input type="checkbox"/>		+0.0 -0.03
Ø H	Yes <input type="checkbox"/>	No <input type="checkbox"/>		+0.0 -0.01
L	Yes <input type="checkbox"/>	No <input type="checkbox"/>		+0.0 -0.06
K	Yes <input type="checkbox"/>	No <input type="checkbox"/>		+0.003 -0.005

\* All requested dimensions must be specified for quoting.

Quantity: \_\_\_\_\_ Pieces