



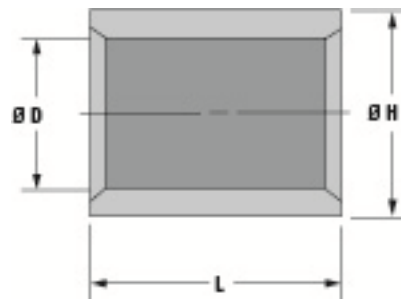
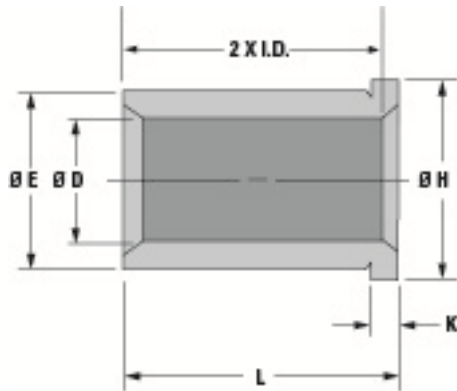
Custom Guide/Leader Pin Bushing Quote Request Form

Email completed form to:
customer_service@dme.milacron.com



| | |
|---|--|
| Company name: _____ Contact name: _____ Phone: _____ Address: _____ City: _____ ZIP: _____ | DME Acct #: _____ Job #: _____ Fax #: _____ E-mail: _____ State: _____ Country: _____ |
|---|--|

Material: Steel Bronze-Plated Solid Bronze Self-Lubricating



| Call out | Required Dimension | Tolerance |
|---|--------------------|-----------------|
| D (I.D.) | | +0.0005/-0.0000 |
| E (O.D.) | | +0.0005/-0.0000 |
| H (Head Diameter) | | +0.000/-0.030 |
| K (Head Thickness) | | +0.003/-0.005 |
| L (Length) | | See below |
| <i>All 5 dimensions must be specified</i> | | |
| | Steel | +0.00/-0.06 |
| | Bronze-Plated | +0.00/-0.06 |
| | Solid Bronze | +0.00/-0.06 |
| | Self-Lubricating | +0.00/-0.03 |

| Call out | Required Dimension | Tolerance |
|---|--------------------|-----------------|
| D (I.D.) | | +0.0005/-0.0000 |
| H (O.D.) | | +0.0005/-0.0000 |
| L (Length) | | See below |
| <i>All 3 dimensions must be specified</i> | | |
| | Steel | +0.00/-0.06 |
| | Bronze-Plated | +0.00/-0.06 |
| | Solid Bronze | +0.00/-0.06 |
| | Self-Lubricating | +0.00/-0.03 |

Comments

For additional work, contact Customer Service at 800-626-6653