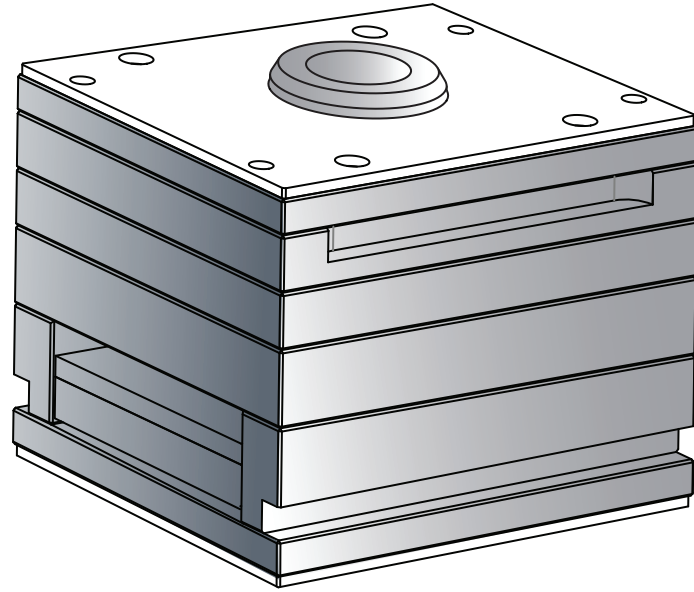


# DME PRE-MACHINED INSULATOR SHEETS PRODUCT BULLETIN

## Standard Features

- Insulator Sheets are designed to fit most standard mold base sizes (see table below)
- Pre-machining includes:
  - Assembly screw hole clearance
  - Locating ring clearance hole
  - Insulator sheet mounting holes
- 2 thicknesses of Insulator Sheets (1/4" or 1/2")
- Specifically designed to be 1/16" shorter on all sides to prevent sheet damage during mold handling
- Custom Insulator Sheets available
- Asbestos-free material
- High compression strength
- Maximum recommended service temperature 550°F
- Use with locating rings 6541 and 6544
- Can be used on both top and bottom of mold bases



Special sizes and machining available upon request. Send .dwg files to [dme@dme.net](mailto:dme@dme.net) for a quote.

Mold Base	Item Number	Thickness	Item Number	Thickness
8x8	HTISM882	.250	HTISM884	.500
8x12	HTISM8122		HTISM8124	
10x8	HTISM1082		HTISM1084	
10x12	HTISM10122		HTISM10124	
10x16	HTISM10162		HTISM10164	
10x20	HTISM10202		HTISM10204	
11x12	HTISM11122		HTISM11124	
11x14	HTISM11142		HTISM11144	
11x18	HTISM11182		HTISM11184	
12x12	HTISM12122		HTISM12124	
12x15	HTISM12152		HTISM12154	
12x20	HTISM12202		HTISM12204	
13x15	HTISM13152		HTISM13154	
13x18	HTISM13182		HTISM13184	
13x21	HTISM13212		HTISM13214	
13x26	HTISM13262		HTISM13264	
15x18	HTISM15182		HTISM15184	
16x16	HTISM16162		HTISM16164	
16x20	HTISM16202		HTISM16204	
16x23	HTISM16232		HTISM16234	
16x29	HTISM16292		HTISM16294	
18x18	HTISM18182		HTISM18184	
18x20	HTISM18202		HTISM18204	
19x24	HTISM19242		HTISM19244	
24x24	HTISM24242		HTISM24244	
24x29	HTISM24292		HTISM24294	



### World Headquarters

**DME Company LLC**  
 29111 Stephenson Highway  
 Madison Heights, MI 48071  
**800-626-6653** toll-free tel  
**248-398-6000** tel  
**888-808-4363** toll-free fax  
[www.dme.net](http://www.dme.net) web  
[sales@dme.net](mailto:sales@dme.net) e-mail

### DME of Canada Ltd.

6210 Northwest Drive  
 Mississauga, Ontario  
 Canada L4V 1J6  
**800-387-6600** toll-free tel  
**905-677-6370** tel  
**800-461-9965** toll-free fax  
[dme\\_canada@dme.net](mailto:dme_canada@dme.net) e-mail

### DME Europe

DME Belgium C.V.B.A.  
 Industriepark Noord  
 B-2800 Mechelen  
 Belgium  
**32-15-215011** tel  
**32-15-218235** fax  
[sales@dmeeu.com](mailto:sales@dmeeu.com) e-mail

### DME Mold Technology (Shenzhen) Co., Ltd.

C-108 Huahan Building  
 No. 16 Langshan Rd.  
 Northern Hi-Tech Industrial Zone  
 Nanshan District,  
 Shenzhen 518057, China  
**(86-755) 8601 9031** tel  
**(86-755) 8601 6583** fax  
[cs@dmechina.net](mailto:cs@dmechina.net) e-mail