

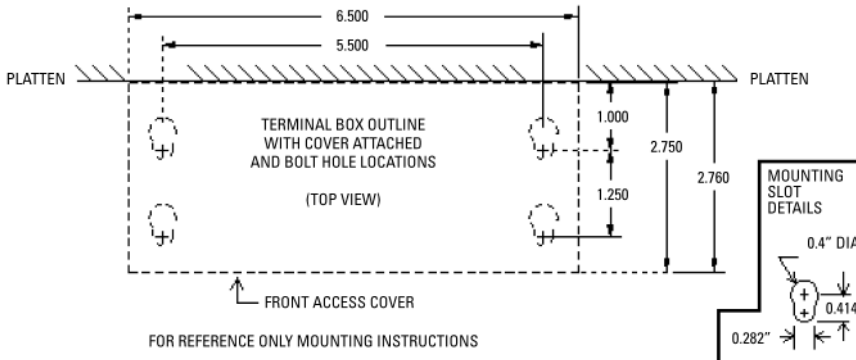
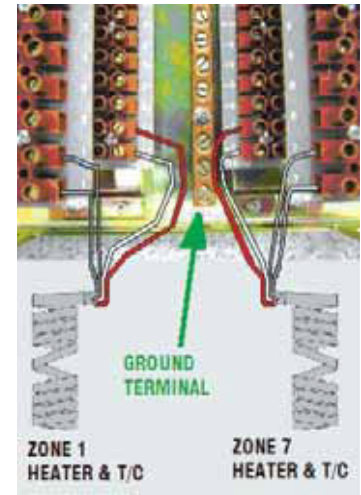
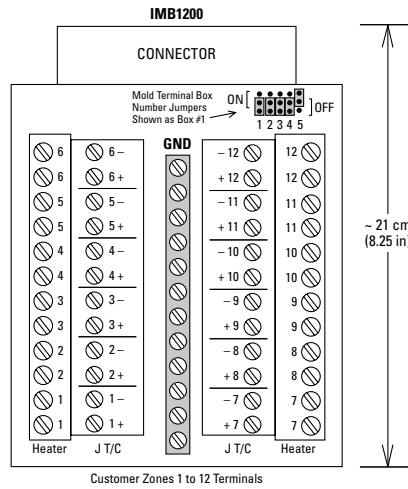
# Cable Wiring Information

## INTEGRITY™ CABLE WIRING INFORMATION



Heater Power Pins	Control zone Heater	T/C Pins	Control zone J T/C	Cable Connect Pins
A-1	1	D-1	+1 t/c	F-1
A-2	2	D-2	+2 t/c	F-2
A-3	3	D-3	+3 t/c	F-3
A-4	4	D-4	+4 t/c	F-4
A-5	1	D-5	+5 t/c	F-5
A-6	2	D-6	+6 t/c	F-6
A-7	3	D-7	-1 t/c	F-7
A-8	4	D-8	-2 t/c	F-8
B-1	5	D-9	-3 t/c	F-9
B-2	6	D-10	-4 t/c	F-10
B-3	7	D-11	-5 t/c	F-11
B-4	8	D-12	-6 t/c	F-12
B-5	5	E-1	+7 t/c	
B-6	6	E-2	+8 t/c	
B-7	7	E-3	+9 t/c	
B-8	8	E-4	+10 t/c	
C-1	9	E-5	+11 t/c	
C-2	10	E-6	+12 t/c	
C-3	11	E-7	-7 t/c	
C-4	12	E-8	-8 t/c	
C-5	9	E-9	-9 t/c	
C-6	10	E-10	-10 t/c	
C-7	11	E-11	-11 t/c	
C-8	12	E-12	-12 t/c	

Integrity™ Hot Runner Controls | Cable Wiring Information



IMB1200 Mounting Box Dimensions – Leave Room for Cover Removal and Access.



D-M-E Custom 120 zone (shown) and 72 zone Integrity™ Mold Power Boxes Available – Special Order