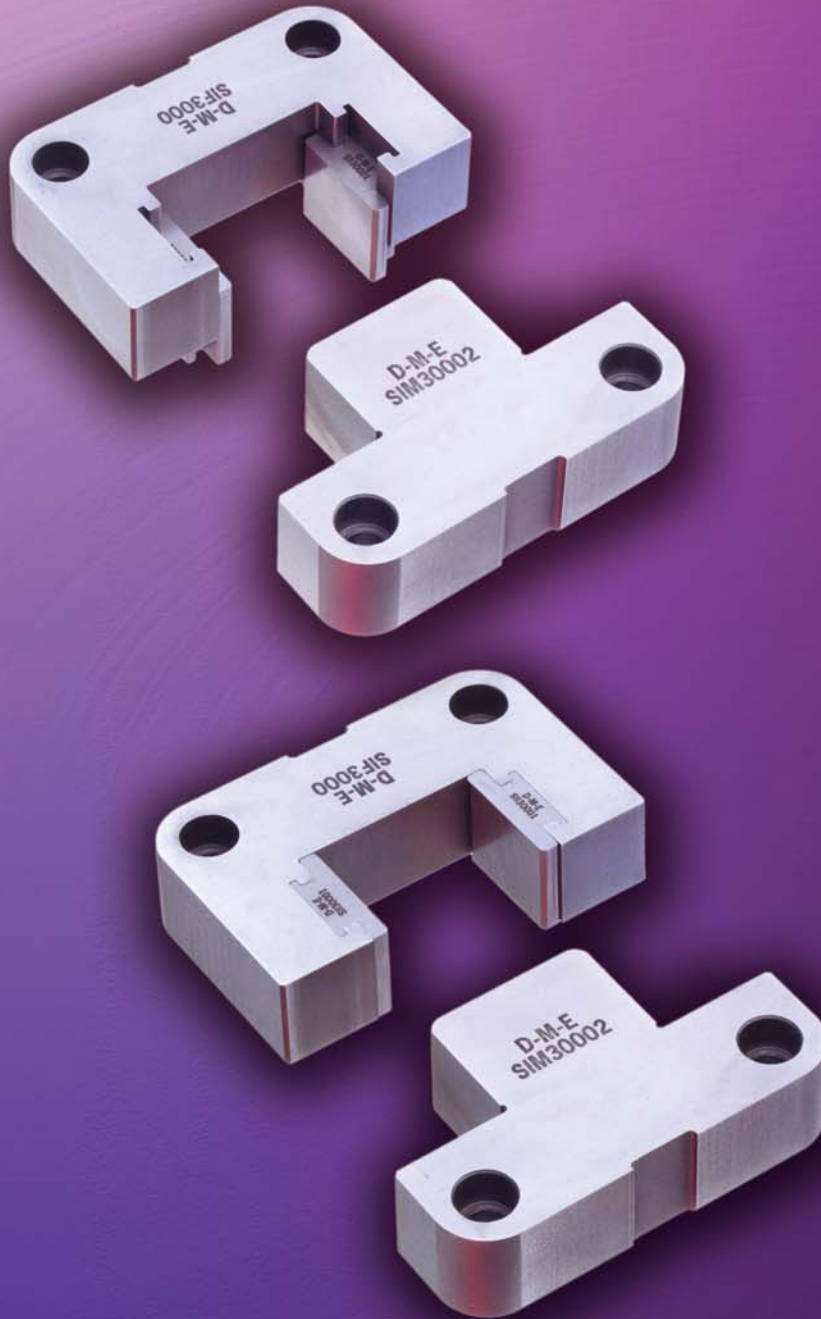


D-M-E Innovative Interlocks

IN2™
IN2
Side Interlocks

**Cost-effective
interchangeable
wear surfaces**



D-M-E
Every step of the way

D-M-E Interlocks: Interchangeable, Innovative

D-M-E Side Interlocks provide:

- Accurate alignment of mold halves
- Easy installation
- Easy and cost-effective maintenance
- Industry-compatible sizes

Installation

- Install four (4) IN2 Side Interlocks per mold (one per side)
- Install IN2 Side Interlocks on the Center Line of each side of the mold
- Replace IN2 Interchangeable Inserts as desired

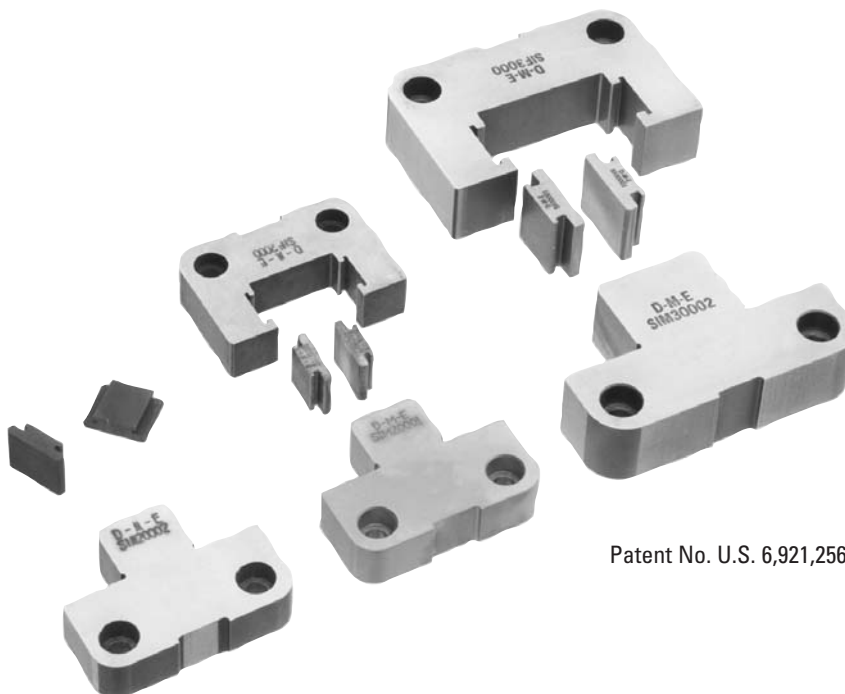
Precision tolerancing, precision manufacturing means off-the-shelf interchangeability

D-M-E IN2™ Mold Interlocks are manufactured to exacting standards. Precise dimensional and geometrical tolerances ensure interchangeability. Interchangeability that no one else in the industry matches — *no one*. Precision tolerancing and manufacturing ensures that all D-M-E IN2 Mold Interlock components are interchangeable — off-the-shelf. Replace any D-M-E IN2 Mold Interlock component independently — no need to replace the entire set. *No one* else offers this level of interchangeability — no one.

The D-M-E Standard of Interchangeable Interlock Components sets D-M-E apart from the industry.

And now ...

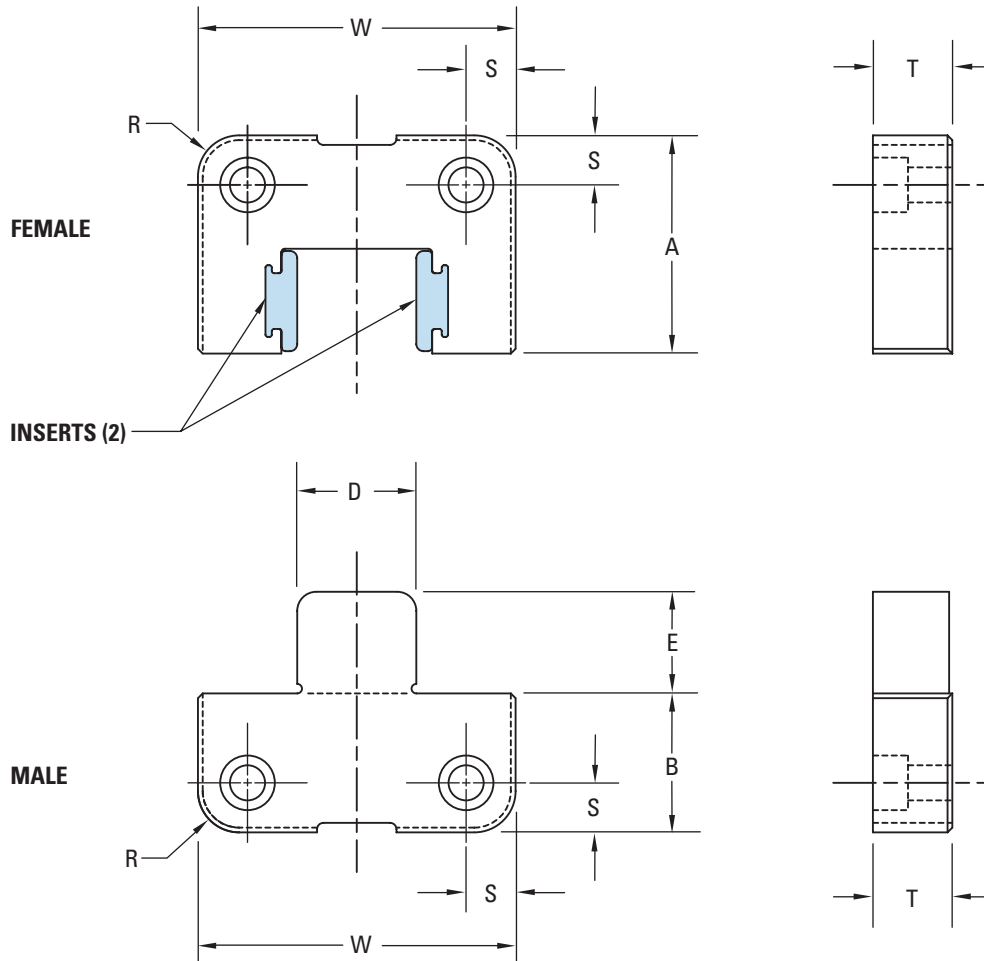
D-M-E offers another innovation: **IN2 Innovative Interlocks with Interchangeable Inserts**. Interchangeable Inserts offer you simple, cost-effective maintenance. No need to replace the entire set when you use **IN2 Innovative Interlocks with Interchangeable Inserts**.



Patent No. U.S. 6,921,256 B2



D-M-E Innovative Side Interlocks



Side Interlock Dimensions

W WIDTH	A HEIGHT FEMALE	B HEIGHT MALE	D INTERLOCK WIDTH	E INTERLOCK HEIGHT	T THICKNESS	R RADI	S SCREW LOCATIONS	SHCS SIZE
1.500	.875	.875	.450	.490	.500	.26	.250	#8-32 x .62
2.000	1.375	.875	.750	.640	.500	.26	.312	#10-32 x .62
3.000	1.875	.875	1.250	.920	.750	.39	.375	1/4-20 x .88

Side Interlock Ordering Information

INTERLOCK SET* ITEM NUMBER	W INTERLOCK WIDTH	REPLACEMENT INTERCHANGEABLE INSERTS** ITEM NUMBER
SIS150023	1.500	SI115003
SIS200023	2.000	SI120003
SIS300023	3.000	SI130003

*Sets include one (1) female, one (1) male, two (2) inserts, four (4) SHCS.

**Replacement Interchangeable Inserts are sold as pairs.

Material – Male Interlock

High-speed tool steel, 61-65 HRC

Material – Interlock Inserts

Graphitic tool steel, 48-52 HRC

Serving customers in over 70 countries worldwide, D-M-E is the leader for injection molding solutions and support. D-M-E has manufacturing and distribution locations in North America, South America, Europe and Asia.

IN2 Innovative Interlocks with Interchangeable Inserts are the latest in a long line of D-M-E innovations. D-M-E offers a full line of mold components including four styles of Mold Interlocks:

- Side Interlocks
- Round Interlocks
- Rectangular Interlocks
- Parting Line Interlocks

D-M-E IN2 Mold Interlocks are manufactured to exacting standards. Precise dimensional and geometrical tolerances ensure interchangeability. Interchangeability that no one else in the industry matches — no one. Precision tolerancing and manufacturing ensures that all D-M-E IN2 Mold Interlock components are interchangeable — off-the-shelf. Replace any D-M-E IN2 Mold Interlock component independently — no need to replace the entire set.

World Headquarters

D-M-E Company

29111 Stephenson Highway
Madison Heights, MI 48071
800-626-6653 *toll-free tel*
248-398-6000 *tel*
888-808-4363 *toll-free fax*
www.dme.net *web*
info@dme.net *e-mail*

D-M-E of Canada, Ltd.

6210 Northwest Drive
Mississauga, Ontario
Canada L4V 1J6
800-387-6600 *toll-free tel*
905-677-6370 *tel*
800-461-9965 *toll-free fax*
dme_canada@dme.net *e-mail*

D-M-E Europe C.V.B.A.

Industriepark Noord
B-2800 Mechelen
Belgium
32-15-215011 *tel*
32-15-218235 *fax*
sales@dmeeu.com *e-mail*



Every step of the way