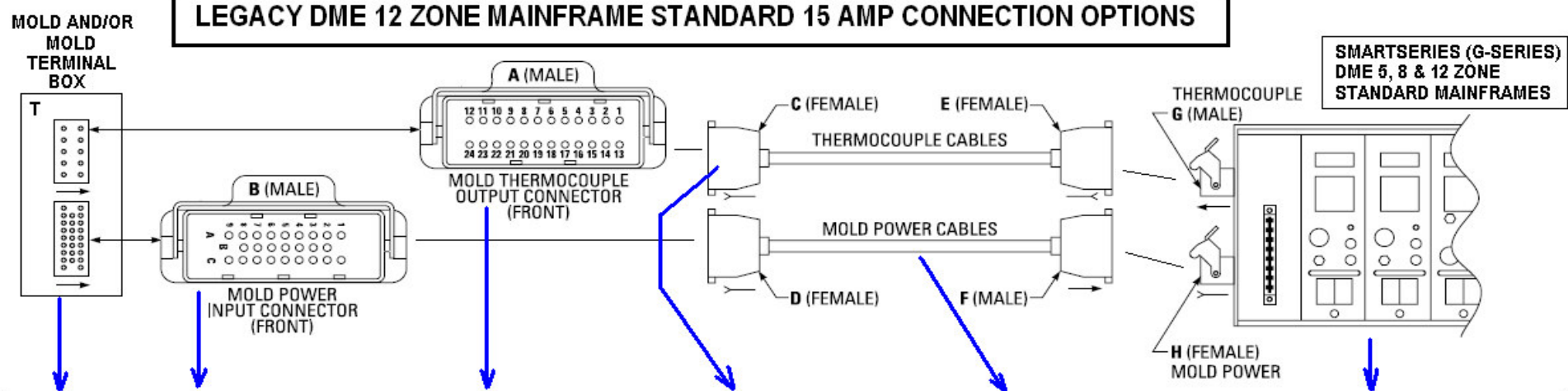


LEGACY DME 12 ZONE MAINFRAME STANDARD 15 AMP CONNECTION OPTIONS



T=MOLD TERMINAL BOX	B= MOLD POWER CONNECTOR	A=MOLD THERMOCOUPLE CONNECTOR	CE=J TYPE THERMOCOUPLE CABLE	DF=MOLD POWER CABLE	DME STANDARD 15AMP MAINFRAMES - CONNECTORS G & H ARE THE SAME FOR ALL 5, 8 & 12 ZONE FRAMES
MOUNT DIRECTLY ON THE MOLD - OR - ↓	PIC12G 6" LEADS CRIMPED PINS WITH 14 AWG WIRE 	MTC12G SCREW TERMINALS 	TC 12 C10G 10 FOOT CABLE	MPC 12 C10G 10 FOOT CABLE	MFP12G STANDARD 12 ZONE MAINFRAME
	RPM0072 15 AMP INSERT PIN0114 14AWG MALE CRIMP PINS (30 PINS) RPM0074 BASE 	MFCP12G (FOR EXT. ALARM & TAS) 12 ZONE MAINFRAME WITH CURRENT VOLTAGE MONITOR CURRENT TRANSFORMERS ON EACH ZONE COMMUNICATION CONNECTORS			
INDIVIDUAL MOLD TERMINAL BOX	PIC-512-TB-G 	MTC-12-TB-G 	TC 12 C20G 20 FOOT CABLE	MPC 12 C20G 20 FOOT CABLE	MFCP12G-CV 12 ZONE MAINFRAME WITH CURRENT VOLT MONITOR AND COMMUNICATIONS
COMBINATION MOLD TERMINAL BOX	PTC - 12 - TB - G 				MFCPT12G 12 ZONE MAINFRAME WITH MFTA-205 CIRCUIT BREAKER ALARM OUT & COMMUNICATIONS STRIP
	PRE-WIRED COMBINATION TERMINAL BOXES COMPLETE AS SHOWN FOR 12 ZONES - OR -				
	PTC-12-TB-G-TS 				
		PTC-12-TB-TS 			