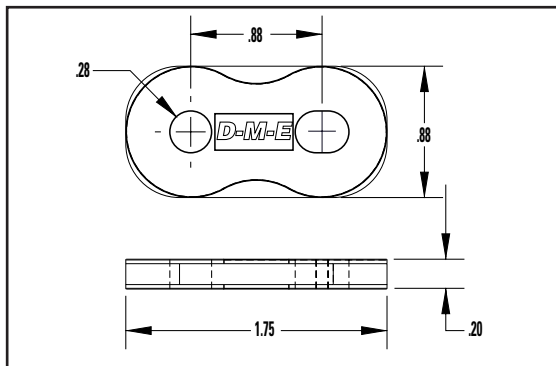


# D-M-E Standard Mold Straps

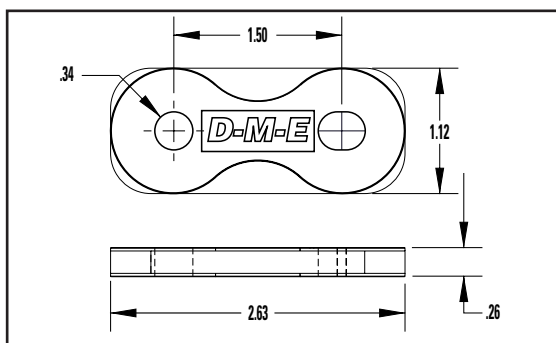
## NEW PRODUCT BULLETIN

### D-M-E Mold Straps – Features and Benefits:

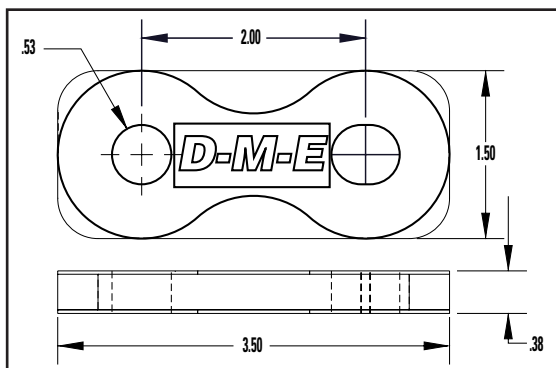
- Ideal for securing mold assembly stack-ups during transport or storage
- Offered as pairs in three sizes
- Constructed of cast metal for strength and durability
- Yellow-powder coating provides corrosion resistance and high visibility



ITEM NO.	SHCS
MLDST088	1/4" DIA X 5/8" LONG



ITEM NO.	SHCS
MLDST150	5/16" DIA X 3/4" LONG



ITEM NO.	SHCS
MLDST200	1/2" DIA X 1" LONG



**World Headquarters  
D-M-E Company**  
29111 Stephenson Highway  
Madison Heights, MI 48071  
800-626-6653 toll-free tel  
248-398-6000 tel  
888-808-4363 toll-free fax  
www.dme.net web  
info@dme.net e-mail

**D-M-E of Canada, Ltd.**  
6210 Northwest Drive  
Mississauga, Ontario  
Canada L4V 1J6  
800-387-6600 toll-free tel  
905-677-6370 tel  
800-461-9965 toll-free fax  
dme\_canada@dme.net e-mail

**D-M-E Europe**  
D-M-E Belgium C.V.B.A.  
Industriepark Noord  
B-2800 Mechelen  
Belgium  
32-15-215011 tel  
32-15-218235 fax  
sales@dmeeu.com e-mail

a Milacron Company