

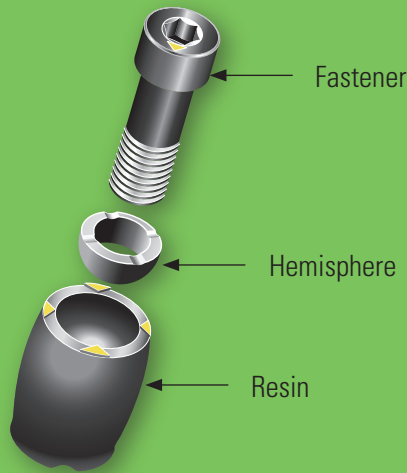
D-M-E Standard D-M-E Friction Pullers

NEW PRODUCT BULLETIN



Advantages and Benefits of D-M-E Friction Pullers:

- Reference arrows enable easy adjustment
- Self-locating even if plates shift due to thermal expansion or machining variances
- Internal self-venting eliminates the need for additional machining
- Fastener includes Nylok® patch for secure installation

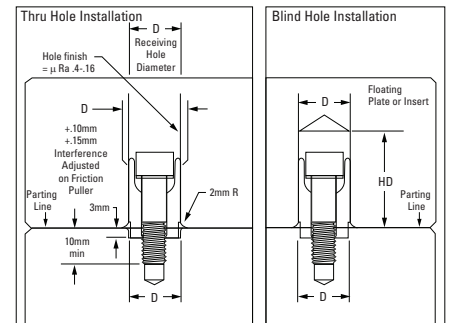
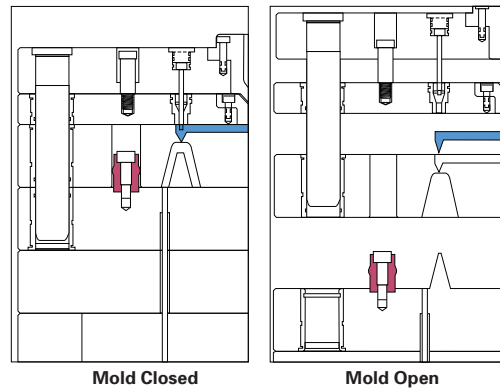
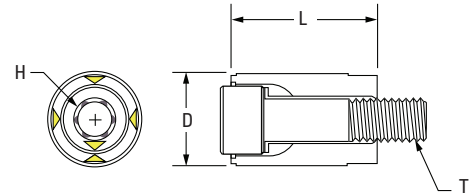


D-M-E Friction Pullers for optimal parting line control initiates movement by using friction at a specified setting to release the mold plate when the travel limit is achieved.

Item Number	D	L	T	H Hex	Hole Depth	Maximum Force (Each)
FP10D	10	17	M5-.8	3	20	32.5 kg (72 lbs)
FP13D	13	20	M6-1	4	23	62.5 kg (138 lbs)
FP16D	16	25	M8-1.25	5	30	150.0 kg (330 lbs)
FP20D	20	28	M10-1.5	6	32	212.5 kg (468 lbs)

Note: Dimensions are in mm.

Available in four sizes (10mm, 13mm, 16mm and 20mm), Friction Pullers may be used to consistently draw floating plates and inserts.



Recommended interference fit for Friction Pullers is .1 to .15mm larger than the receiving hole. To adjust, rotate the screw clockwise and measure bulge to achieve proper fit. Adjust further if necessary with ¼ turn increments, lining up the reference arrows on the fastener to the resin.

Technical Data:

- Material - Nylon 6 Resin with 8620 fastener
- Maximum operating temperature - 248°F (120°C)
- Before removing mold from the press for maintenance, rotate Friction Puller screw counter-clockwise with a ¾ turn to enable easy plate separation

Patents Pending



Every step of the way

World Headquarters

D-M-E Company

29111 Stephenson Highway
Madison Heights, MI 48071
800-626-6653 toll-free tel
248-398-6000 tel
888-808-4363 toll-free fax
www.dme.net web
info@dme.net e-mail

D-M-E of Canada, Ltd.

6210 Northwest Drive
Mississauga, Ontario
Canada L4V 1J6
800-387-6600 toll-free tel
905-677-6370 tel
800-461-9965 toll-free fax
dme_canada@dme.net e-mail

D-M-E Europe

D-M-E Belgium C.V.B.A.
Industriepark Noord
B-2800 Mechelen
Belgium
32-15-215011 tel
32-15-218235 fax
sales@dmeeu.com e-mail