

Cashew Gate Inserts



Round Gate Insert

Round with rounded tunnel

Square Gate Insert

Square with rounded tunnel

Cashew Gate Insert Benefits Include:

- Improves product surface quality
- Enables smaller diameters in the gate area
- Provides automatic separation of runner from part
- Suitable for flat or thin-walled part applications
- Available off-the-shelf to reduce mold build time and costs
- Easy to replace, allowing maximum mold uptime

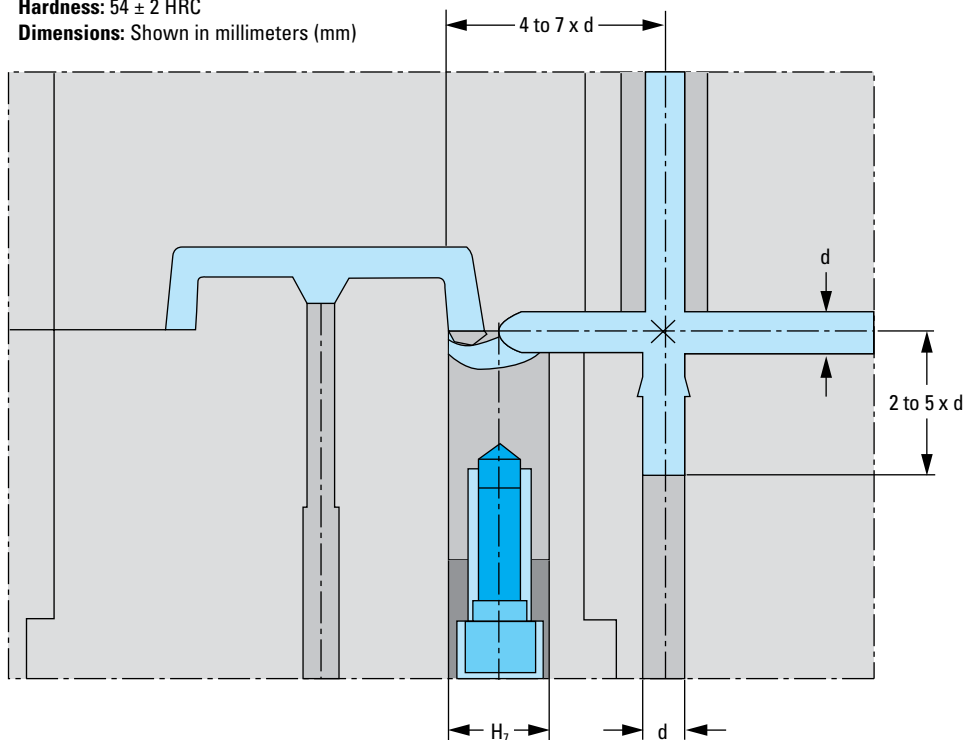
Cashew Gate Features Include:

- Precision machined for accuracy
- Highly polished gate detail
- Hardened to 54 HRC for reliable performance
- Available in Round or Square insert styles
- 24 sizes to suit most applications
- Recommended for unfilled materials, including PS, PP, TPE and ABS

Material: 1.2767 Steel

Hardness: 54 ± 2 HRC

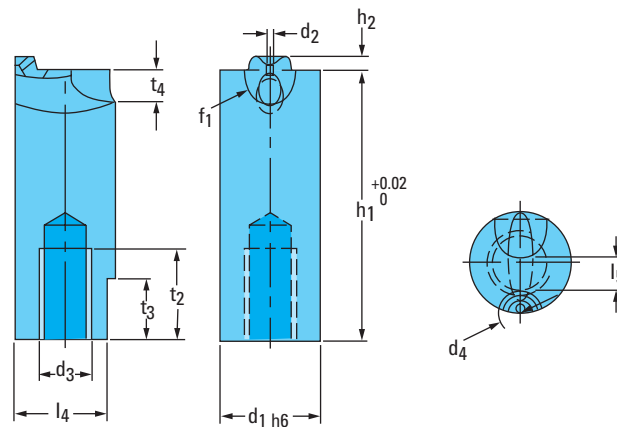
Dimensions: Shown in millimeters (mm)



The distance from the Sprue Puller Pin to the gate should be 4 to 7 x d depending on the viscosity of the plastic material.

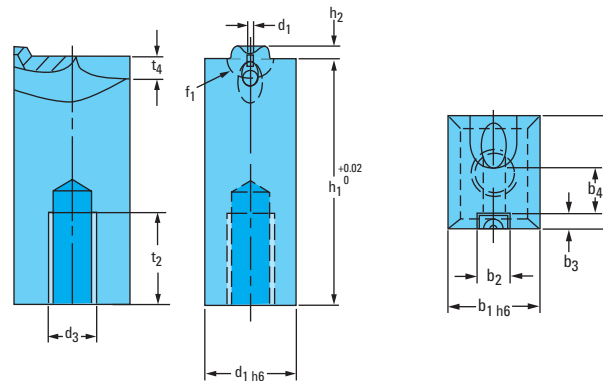
A longer guided runner (approx. length 2 to 5 x d) with retaining undercut is required for the Sprue Puller Pin.

Cashew Gate Inserts



Round Gate Insert – GIR

ITEM NUMBER	d1	h1	d2	h2	l5	l4	d4	d3	t4	t3	t2	r1
GIR061704	6	17-	0.4	0.8	2	5.5	2.6	M4	2	5	10	1.5
GIR061706	6	17-	0.6									
GIR061708	6	17-	0.8									
GIR082206	8	22-	0.6	0.8	3.5	7.5	2.8	M4	2	5	10	2
GIR082208	8	22-	0.8									
GIR082210	8	22-	1									
GIR102706	10	27-	0.6	0.8	4	9	3	M5	2.25	7	12	2.25
GIR102708	10	27-	0.8									
GIR102710	10	27-	1									
GIR122708	12	27-	0.8	0.8	4.5	11	3.5	M6	2.5	7	12	2.5
GIR122710	12	27-	1									
GIR122712	12	27-	1.2									



Square Gate Insert – GIS

ITEM NUMBER	l1	b1	h1	d1	h2	d3	b4	b3	b2	t4	t2	r1
GIS08061704	8	6	17-	0.4	0.8	M4	3.7	1.3	2.6	2	10	1.5
GIS08061706	8	6	17-	0.6								
GIS08061708	8	6	17-	0.8								
GIS10082206	10	8	22-	0.6	0.8	M4	4	1.4	2.8	2	10	2
GIS10082208	10	8	22-	0.8								
GIS10082210	10	8	22-	1								
GIS12102706	12	10	27-	0.6	0.8	M5	4.5	1.5	3	2.25	12	2.25
GIS12102708	12	10	27-	0.8								
GIS12102710	12	10	27-	1								
GIS15122708	15	12	27-	0.8	0.8	M6	5	1.75	3.5	2.5	12	2.5
GIS15122710	15	12	27-	1								
GIS15122712	15	12	27-	1.2								