

Circulating Water Temperature Control System

Duratherm HTP Temperatures to 300°F

Mokon's Duratherm HTP circulating water temperature control system maximizes performance with temperatures up to 300°F (149°C) and pressures up to 70 PSI. The Duratherm design features an advanced heating canister and stainless steel diverter, which create a forced flow path for higher heat transfer rates.

Designed for the most restrictive of processes or those requiring higher fluid temperature or pressure, the HTP system adds a cast iron pump to the Duratherm design, resulting in the highest temperature and pressure capabilities available.

All Duratherm systems meet NFPA 79 (National Fire Protection Association) electrical safety standards and come standard with a UL 508A labeled electrical sub-panel. All of these features and more, combined with our extended warranty, make the Duratherm an easy choice for delivering precise and accurate temperature control.



Features and Benefits

Single and dual zone configurations

Compact and portable

Ideal for restrictive process and high temperature water applications

Cast iron pump with brass impeller and carbon ni-resist seal

Horizontal stainless steel canister

Small hold-up volume and energy-efficient heater design

Microprocessor-based controller

UL labeled electrical sub-panel

Meets NFPA 79 electrical safety standards

Specifications

Model	Pump	Flow Rate & Pressure	Process Connection	Drain/Supply Connection	Dimensions (LxWxH) *9KW	Shipping Weight
HTPDB9KW	1½ hp	25 GPM up to 60 PSI	1"	1"	28" x 16" x 25"	150 lbs.
HTPDC9KW	2 hp	40 GPM up to 60 PSI	1½"	1"	32" x 17" x 27"	160 lbs.
HTPDF9KW	3 hp	60 GPM up to 60 PSI	1½"	1"	32" x 17" x 27"	170 lbs.
HTPDE9KW	5 hp	80 GPM up to 70 PSI	1½"	1"	32" x 17" x 27"	185 lbs.
HTPDD9KW	7½ hp	100 GPM up to 70 PSI	2"	1"	32" x 17" x 27"	250 lbs.
HTPDA9KW	10 hp	120 GPM up to 70 PSI	2"	1"	38" x 17" x 28"	300 lbs.

*Duratherm systems are available in a variety of voltages and capacities. Please contact us for more information.

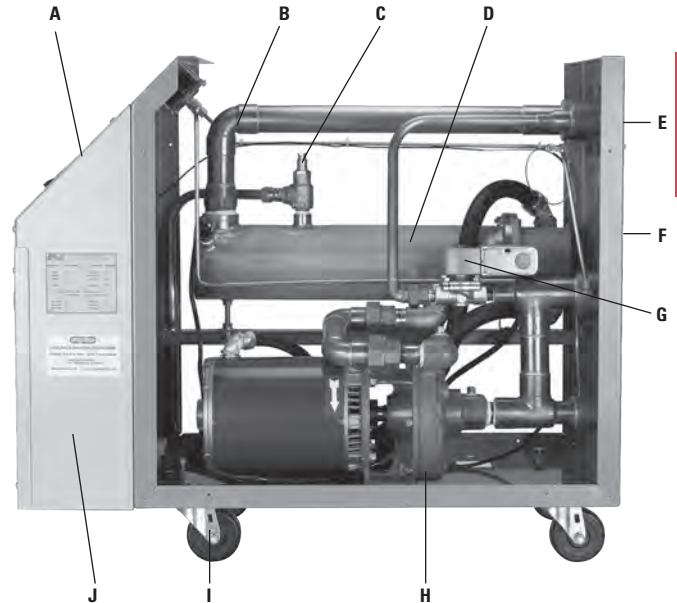
Circulating Water Temperature Control System

Duratherm HTP Temperatures to 300°F



Standard Features

- A** Microprocessor-based controller in easily accessible panel
- B** Fluid high temperature safety shut-off switch
- C** Pressure relief valve
- D** Horizontal stainless steel heater canister with unique turbulent flow diverter
- E** Cast brass fluid connections securely mounted to cabinet
- F** Removable panel for easy access to heater (not shown)
- G** Solenoid cooling valve
- H** Cast iron pump for temperatures up to 300° F (149° C)
- I** Heavy-duty removable casters for fixed location or portability
- J** Powder-coated finish
- K** Low pressure safety shut-off switch (not shown)
- L** NFPA 79 and UL labeled electrical sub-panel (not shown)



Product Testing & Warranty

All Mokon temperature control systems are qualified for service by rigid, simulated field tests, and are 100% factory calibrated and run tested. Mokon offers these extended warranties as standard on the Duratherm system:

- 3 years on system
- 5 years on microprocessor controller and safeties
- Lifetime seals, piping and canister