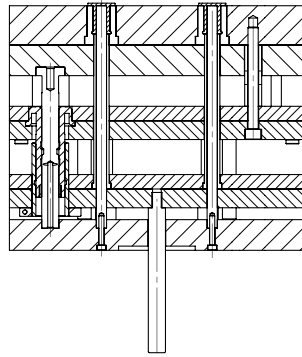
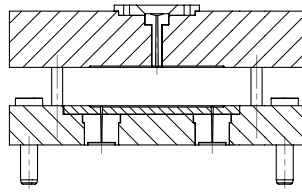
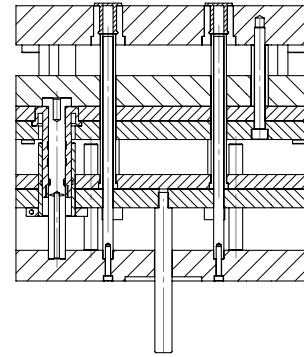
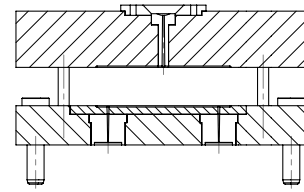


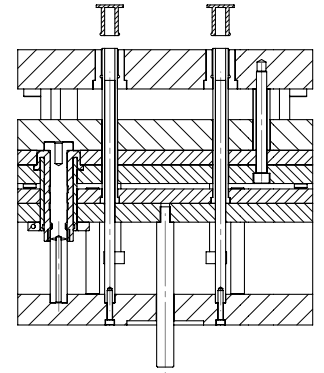
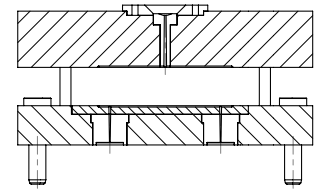
SECTION A-A



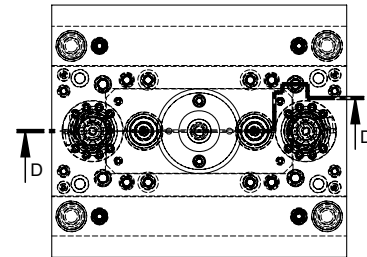
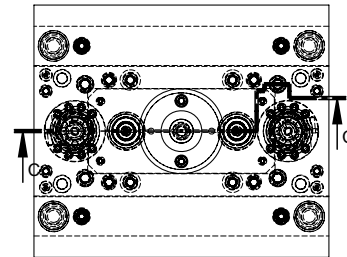
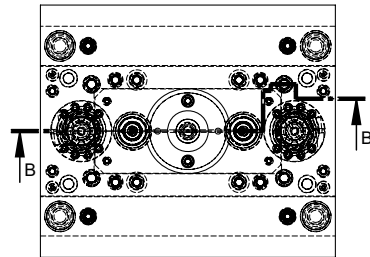
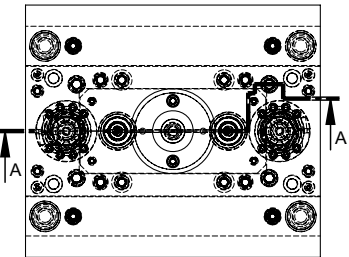
SECTION B-B



SECTION C-C



SECTION D-D



**TWO STAGE EJECTOR BOTTOM LAST - TSBL
APPLICATION EXAMPLE 1A**