

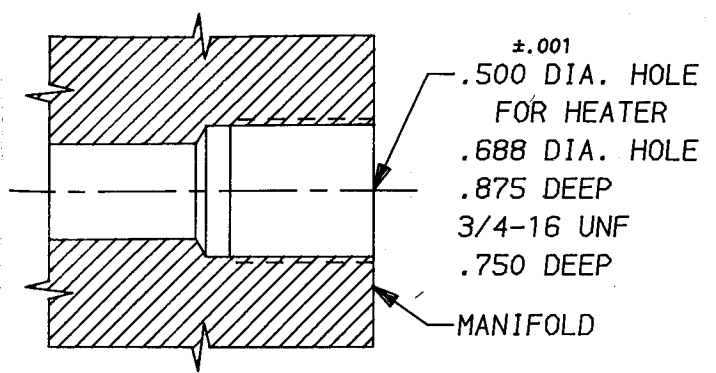
HEATER PULLER INSTALLATION DATA

Please read carefully before installing components

**D-M-E
COMPANY**

29111 STEPHENSON HIGHWAY
MADISON HEIGHTS, MICHIGAN
48071 U.S.A.
1-800-626-6653

EHP9999 5-96
ME-0741-PS-834-A



NOTES:

1. DRILL AND TAP THE MANIFOLD AS SHOWN.
2. CLEAN HEATER HOLE.
3. APPLY ANTI-SEIZE COMPOUND ON HEATER PULLER THREADS AND ASSEMBLE INTO MANIFOLD.
4. ASSEMBLE 1/2 DIA. D-M-E CARTRIDGE HEATER INTO HEATER PULLER.
5. PLACE SNAP RING INTO SLOT TO HOLD CARTRIDGE HEATER.