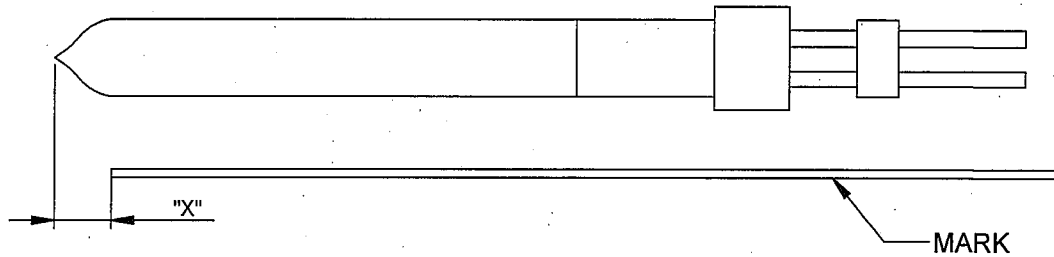
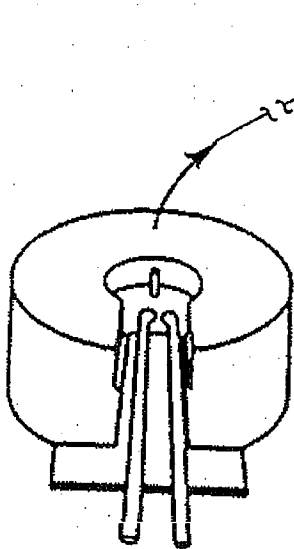


**INTEGRAL HEATER
THERMOCOUPLE
INSTALLATION DATA**

Please read carefully before installing thermocouple.



⑤ Hold new thermocouple parallel to length of probe. Move thermocouple so there is a "X" inch gap between its tip and the tip of the probe. Mark the thermocouple with a felt tip pen where it would be fully inserted into the probe.



⑥ Hold new thermocouple with long nose pliers, approximately 1/4" from the probe, while inserting it in to the well.

DISTRIBUTOR PROBES

CATALOG NUMBER	"X"
FDP0001 thru FDP0012	.210
FDP0013	.500
FDP0014	1.000
FDP0015	1.500
FDP0016	2.000
FDP0017	2.500
FDP0018	3.000
FDP0019	3.500
FDP0020	4.000

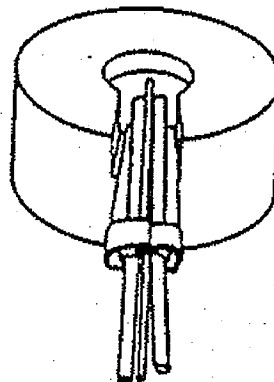
INVERTED PROBES

CATALOG NUMBER	"X"
FIP001 thru FIP0003	0.500

GATING PROBES

PROBE CATALOG NUMBER	"X"
AFIP4-322-(90)	0.375
AFIP4-372-(90)	
AFIP4-422-(90)	
AFIP4-472-(90)	
AFIP5-372-(90)	
AFIP5-422-(90)	
AFIP5-472-(90)	
AFIP5-522-(90)	
AFIP5-572-(90)	
AFIP5-622-(90)	

⑦ Using high temperature tape, wrap all wires together, then carefully bend retainer clip around taped wires. Be careful not to damage the wire insulation.



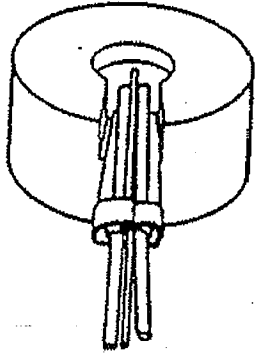
D-M-E COMPANY

29111 STEPHENSON HIGHWAY
MADISON HEIGHTS
MICHIGAN 48071 USA
US 800-656-6656
CANADA 800-387-6600
www.dme.net

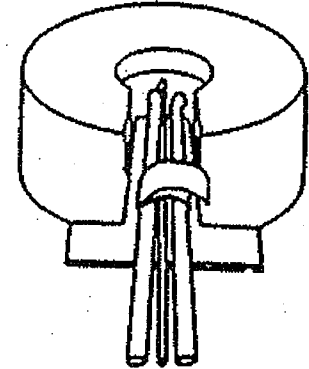
INTEGRAL HEATER THERMOCOUPLE INSTALLATION DATA

Please read carefully before installing thermocouple.

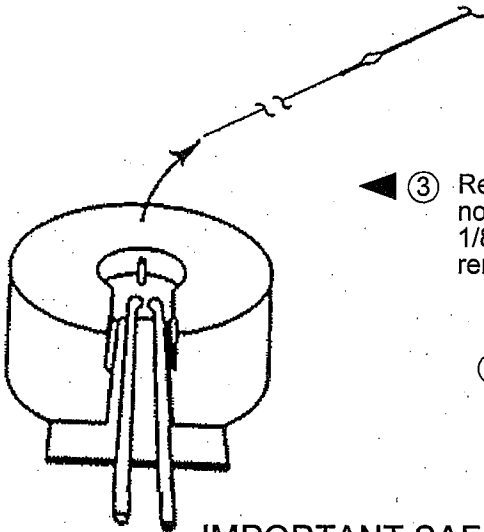
D-M-E
Every step of the way



① Black leads are power and should not be disturbed.

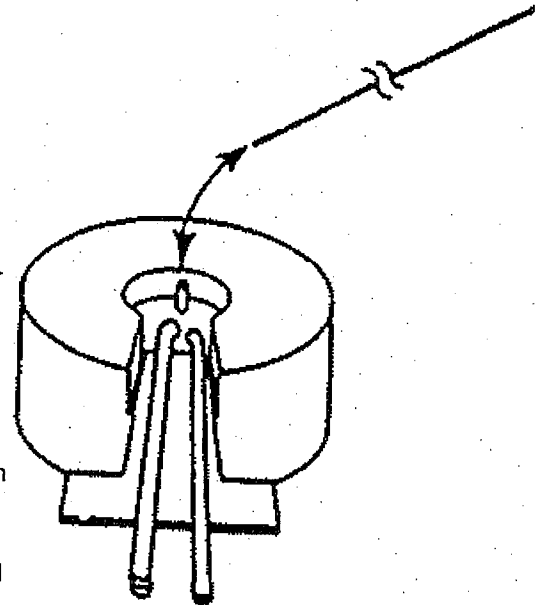


② Carefully open lead retainer clip and remove old tape.



③ Remove thermocouple with long nose pliers, grasping the thermocouple 1/8" from the thermocouple well and remove slowly and carefully.

④ Clean thermocouple well with 0.020 diameter music wire.



IMPORTANT SAFETY INFORMATION

A hot-runner system includes electrical elements and may contain molten plastic at elevated temperature and pressure. To avoid injury, exercise caution by reading these instructions before servicing or operating the system.

These instructions must be passed on to the end user where they should be read before using this product. Failure to do so can result in serious injury or death.

DANGER

Failure to comply will result in serious injury or death:

ELECTRICAL HAZARDS

Improper voltages or grounding can result in electrical shock. Use only with proper voltage and a proper earth ground.

To avoid electrical shock, do not operate product when wet.

Do not operate this equipment with covers or panels removed.

To avoid electrical shock, turn off main power disconnect and lockout / tag out before servicing this device. Do not connect temperature sensors to electrical power. It will damage the product and it can cause fire, severe injuries or even death.

If green ground wire present wire must be connected to the ground.

Do not rebend rigid leads. Rebending leads might result in damage to circuit.

Product might absorb moisture when cool. Use low Voltage or power to drive out residual moisture before applying full power. Failure to do so may cause damage to this product.

WARNING

Failure to comply can result in serious injury or death:

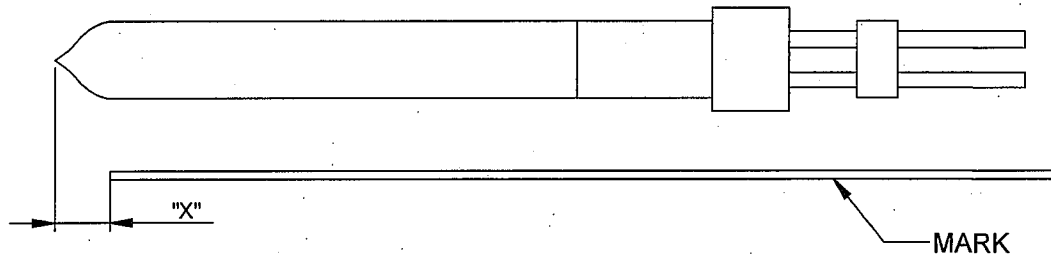
STORED ENERGY AND HIGH TEMPERATURE HAZARDS

This product maintains molten plastic at high pressure. Use caution when operating and servicing the system.

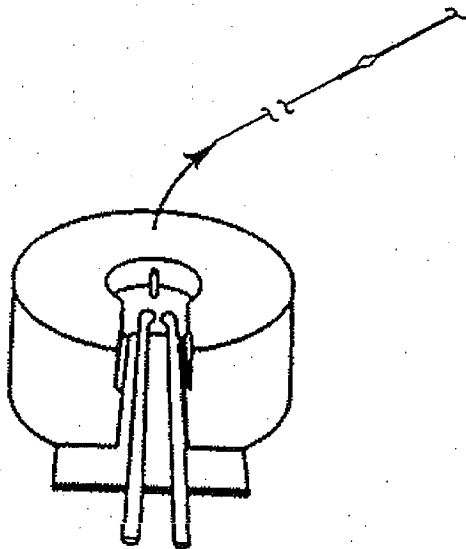
Physical contact with molten plastic may result in severe burns. Proper protective equipment, including eye protection, must be worn. This product has heated surfaces. Use caution when operating and servicing the system to avoid severe burns. Proper protective equipment should be worn.

**INTEGRAL HEATER
THERMOCOUPLE
INSTALLATION DATA**

Please read carefully before installing thermocouple.



⑤ Hold new thermocouple parallel to length of probe. Move thermocouple so there is a "X" inch gap between its tip and the tip of the probe. Mark the thermocouple with a felt tip pen where it would be fully inserted into the probe.



⑥ Hold new thermocouple with long nose pliers, approximately 1/4" from the probe, while inserting it in to the well.

DISTRIBUTOR PROBES

CATALOG NUMBER	"X"
FDP0001 thru FDP0012	.210
FDP0013	.500
FDP0014	1.000
FDP0015	1.500
FDP0016	2.000
FDP0017	2.500
FDP0018	3.000
FDP0019	3.500
FDP0020	4.000

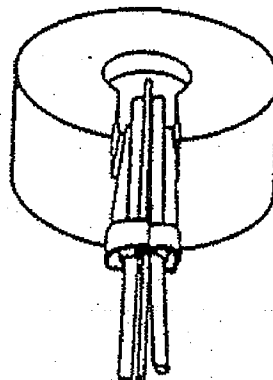
GATING PROBES

PROBE CATALOG NUMBER	"X"
AFIP4-322-(90)	0.375
AFIP4-372-(90)	
AFIP4-422-(90)	
AFIP4-472-(90)	
AFIP5-372-(90)	
AFIP5-422-(90)	
AFIP5-472-(90)	
AFIP5-522-(90)	
AFIP5-572-(90)	
AFIP5-622-(90)	

INVERTED PROBES

CATALOG NUMBER	"X"
FIP001 thru FIP0003	0.500

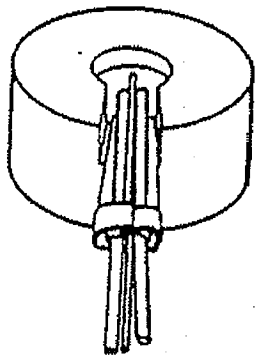
⑦ Using high temperature tape, wrap all wires together, then carefully bend retainer clip around taped wires. Be careful not to damage the wire insulation.



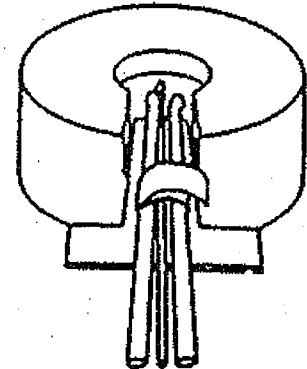
INTEGRAL HEATER THERMOCOUPLE INSTALLATION DATA

Please read carefully before installing thermocouple.

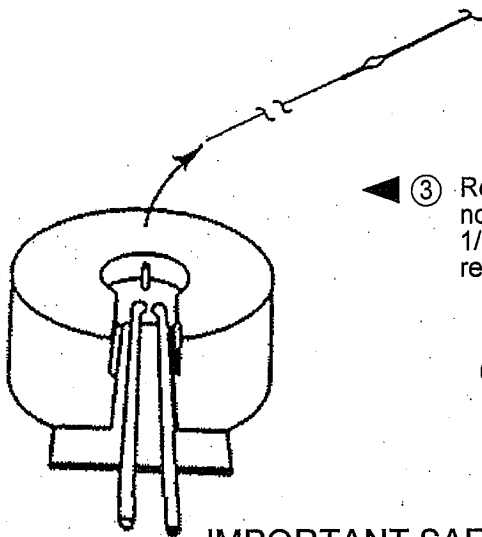
D-M-E
Every step of the way



- ① Black leads are power and should not be disturbed.

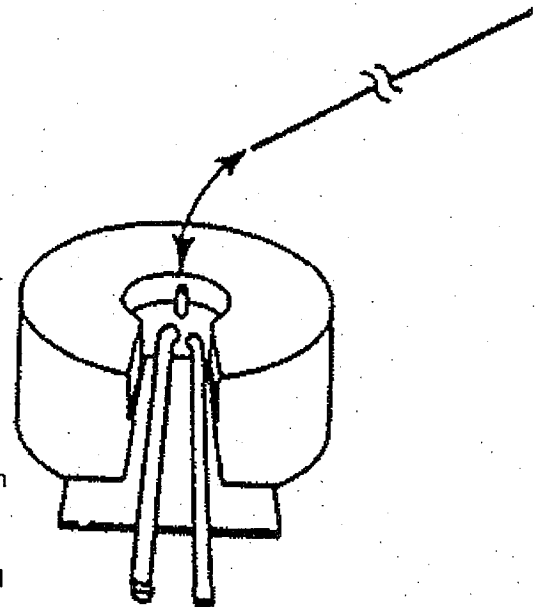


- ② Carefully open lead retainer clip and remove old tape.



- ③ Remove thermocouple with long nose pliers, grasping the thermocouple 1/8" from the thermocouple well and remove slowly and carefully.

- ④ Clean thermocouple well with 0.020 diameter music wire.



IMPORTANT SAFETY INFORMATION

A hot-runner system includes electrical elements and may contain molten plastic at elevated temperature and pressure. To avoid injury, exercise caution by reading these instructions before servicing or operating the system.

These instructions must be passed on to the end user where they should be read before using this product. Failure to do so can result in serious injury or death.

DANGER

Failure to comply will result in serious injury or death:

ELECTRICAL HAZARDS

Improper voltages or grounding can result in electrical shock. Use only with proper voltage and a proper earth ground.

To avoid electrical shock, do not operate product when wet.

Do not operate this equipment with covers or panels removed.

To avoid electrical shock, turn off main power disconnect and lockout / tag out before servicing this device. Do not connect temperature sensors to electrical power. It will damage the product and it can cause fire, severe injuries or even death.

If green ground wire present wire must be connected to the ground.

Do not rebend rigid leads. Rebending leads might result in damage to circuit.

Product might absorb moisture when cool. Use low voltage or power to drive out residual moisture before applying full power. Failure to do so may cause damage to this product.

WARNING

Failure to comply can result in serious injury or death:

STORED ENERGY AND HIGH TEMPERATURE HAZARDS

This product maintains molten plastic at high pressure. Use caution when operating and servicing the system.

Physical contact with molten plastic may result in severe burns. Proper protective equipment, including eye protection, must be worn. This product has heated surfaces. Use caution when operating and servicing the system to avoid severe burns. Proper protective equipment should be worn.