

IHRR/ID 5-96

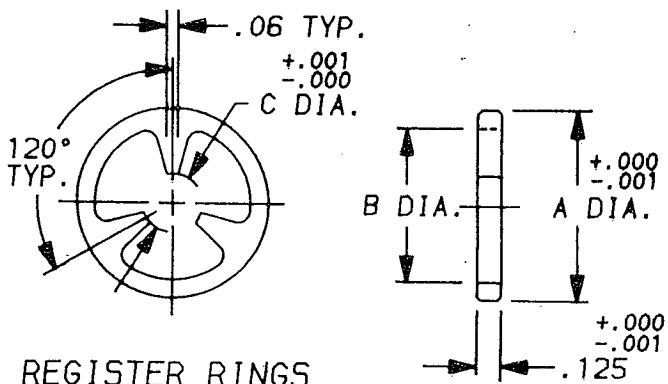
**D-M-E**

ME-0725-PS-211-A

**REGISTER RINGS INSTALLATION DATA**

For: AUTO-FIXED INTEGRAL HEATED MICRO PROBES  
 AUTO-FIXED INTEGRAL HEATED PROBES  
 AUTO-FIXED PROBES

REFER TO MINI-PRINT NO'S.: 1400, 1500, 1600 AND 1700  
 Please read carefully before installing components

**REGISTER RINGS**

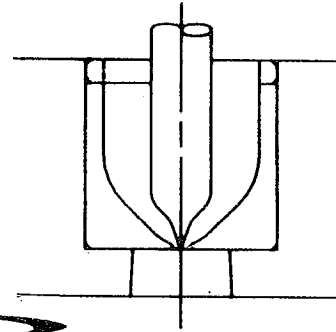
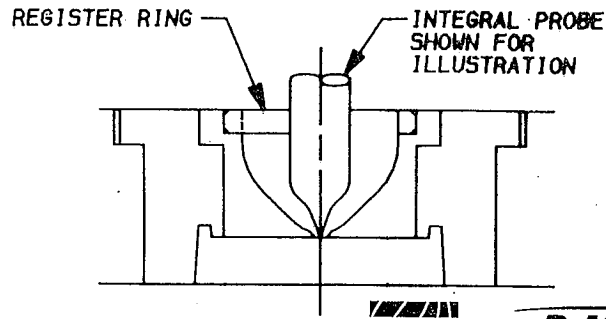
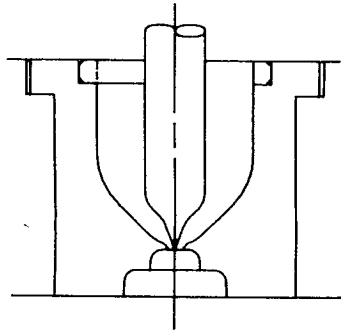
MATERIAL: AISI H-13 STEEL

HARDNESS: Rc 48-52

(See reverse side for register ring applications.)

CAT. NO.	A DIA.	B DIA.	C DIA.	USED WITH
AFRR-03N	1.000	.812	.313	AFIP3 SERIES
AFRR-04N	1.062	.865	.387	AFIP4 SERIES
AFRR-05N	1.187	.937	.493	AFIP5 SERIES
AFRR-10N	1.375	1.000	.562	AFPN-310 THRU 610
AFRR-20N	1.500	1.125	.693	AFPN-720 THRU 1020

# REGISTER RINGS APPLICATIONS



Always install register ring forward of the distributor block and as close to the front of the straight diameter of the probe as possible. This will register the probe tip to the gate diameter and minimize deflection.



29111 STEPHENSON HIGHWAY  
MADISON HEIGHTS, MICHIGAN  
48071 U.S.A.  
1-800-626-6653

IHRR/ID 5-96  
ME-0725-PS-211-A