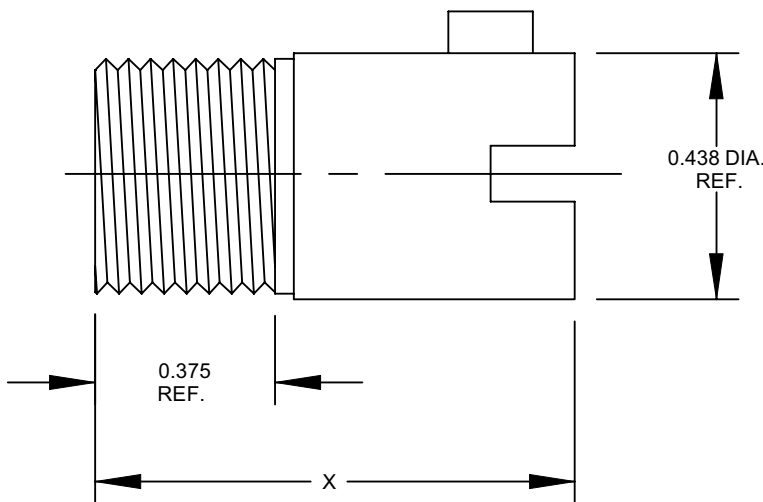
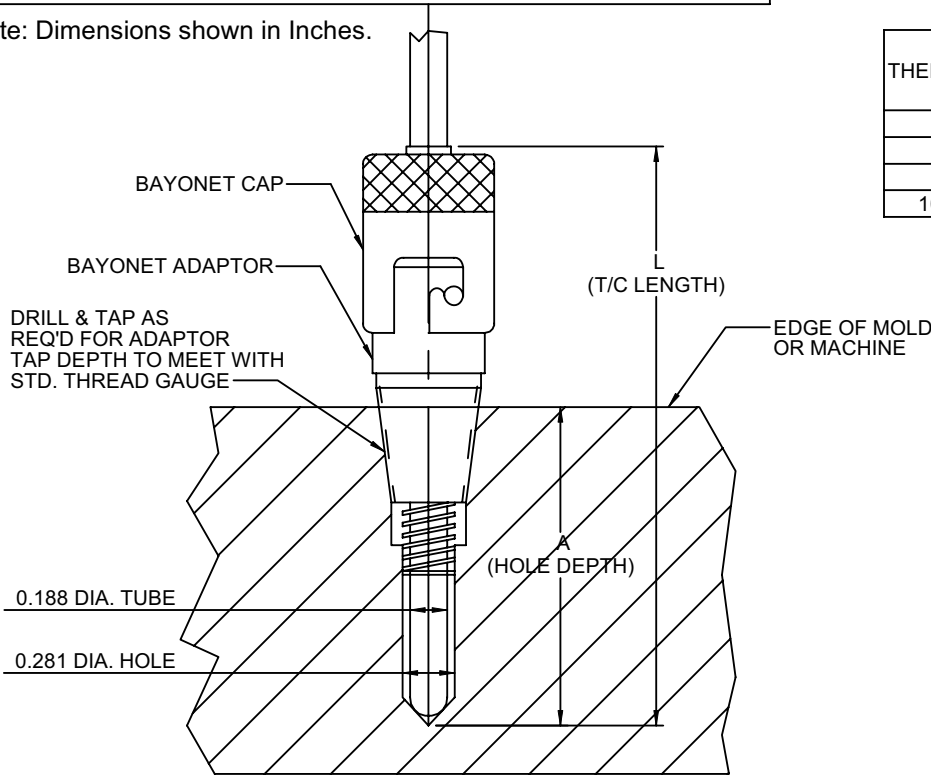


ME-0708-PS-014-B 09-08 TC/PS
**MACHINING DIMENSIONS FOR D-M-E
 STANDARD BAYONET THERMOCOUPLES**
 Please read carefully before installing thermocouples



Note: Dimensions shown in Inches.

| L DIM. THERMOCOUPLE LENGTH | A DIM. HOLE DEPTH FOR ADAPTOR LENGTH | |
|----------------------------------|---|--------------|
| | 0.875 | 1.375 |
| 2.500 | 1.00 - 1.38 | 0.50 - 0.88 |
| 3.500 | 2.00 - 2.38 | 1.50 - 1.88 |
| 6.000 | 4.50 - 4.88 | 4.00 - 4.38 |
| 10.500 ADJ. | 0.50 - 10.50 | 0.50 - 10.00 |



WIRING INFORMATION

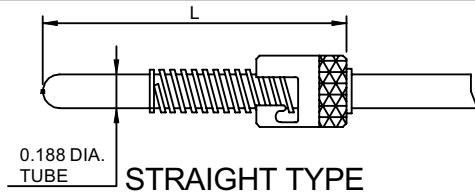
1. Thermocouple is J type Iron/Constantan supplied with 20 Gauge Stranded fiberglass insulated wire 52" long.
 - a. 1 T/C lead is WHITE and negative (-) constantan (non-magnetic).
 - b. 1 T/C lead is BLACK and positive (+) iron (magnetic).
2. All thermocouples fit .438 DIA BAYONET Adaptor.

| CATALOG NUMBER | X DIM. | THREAD SPECIFICATION |
|----------------|--------|----------------------|
| BA-1007 | 0.875 | 1/8-27 NPT |
| BA-1013 | 1.375 | 1/8-27 NPT |
| BA-4007 | 0.875 | 3/8-24 NF |
| BA-4013 | 1.375 | 3/8-24 NF |

D-M-E SHALL NOT BE LIABLE FOR MISUSE OR FAILURE TO FOLLOW THE ENCLOSED INSTRUCTIONS AND SPECIFICATIONS. D-M-E HERBY TO DISCLAIMS ALL IMPLIED WARRANTIES, INCLUDING MERCHANTABILITY AND FITNESS FOR A PARTICULAR PURPOSE. IN NO EVENT SHALL D-M-E BE RESPONSIBLE FOR LOSS OF USE, REVENUE OR PROFIT, OR FOR INCIDENTAL OR CONSEQUENTIAL DAMAGED.

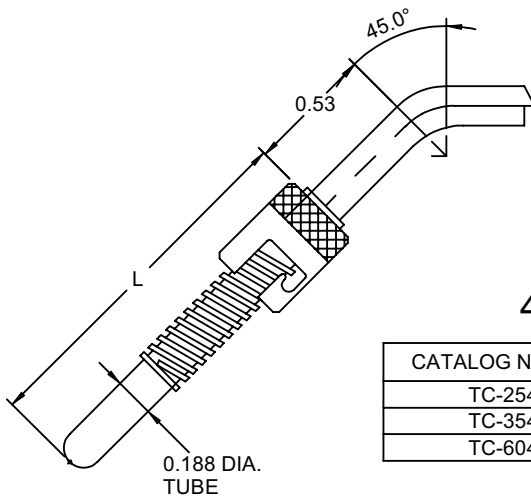
BAYONET ADAPTOR

ME-0708-PS-014-B 09-08 TC/PS
**MACHINING DETAILS FOR D-M-E
 STANDARD BAYONET THERMOCOUPLES**
 Please read carefully before installing thermocouples



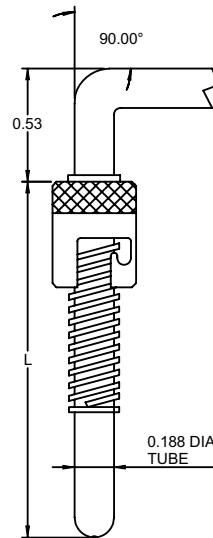
STRAIGHT TYPE

| CATALOG NUMBER | L DIM. |
|----------------|--------|
| TC-2500 | 2.500 |
| TC-3500 | 3.500 |
| TC-6000 | 6.000 |



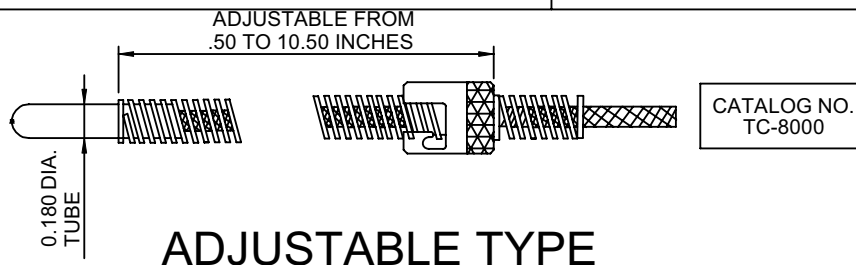
45° TYPE

| CATALOG NUMBER | L DIM. |
|----------------|--------|
| TC-2545 | 2.500 |
| TC-3545 | 3.500 |
| TC-6045 | 6.000 |



90° TYPE

| CATALOG NUMBER | L DIM. |
|----------------|--------|
| TC-2590 | 2.500 |
| TC-3590 | 3.500 |
| TC-6090 | 6.000 |



ADJUSTABLE TYPE

IMPORTANT SAFETY INFORMATION

A hot-runner system includes electrical elements and may contain molten plastic at elevated temperature and pressure. To avoid injury, exercise caution by reading these instructions before servicing or operating the system.

These instructions must be passed on to the end user where they should be read before using this product. Failure to do so can result in serious injury or death.



Failure to comply will result in serious injury or death:
ELECTRICAL HAZARDS

Improper voltages or grounding can result in electrical shock. Use only with proper voltage and a proper earth ground.

To avoid electrical shock, do not operate product when wet.

Do not operate this equipment with covers or panels removed.

To avoid electrical shock, turn off main power disconnect and lockout / tag out before servicing this device. Do not connect temperature sensors to electrical power. It will damage the product and it can cause fire, severe injuries or even death.

If green ground wire present wire must be connected to the ground.

Do not rebend rigid leads. Rebending leads might result in damage to circuit.

Product might absorb moisture when cool. Use low Voltage or power to drive out residual moisture before applying full power. Failure to do so may cause damage to this product.



Failure to comply can result in serious injury or death:
STORED ENERGY AND HIGH TEMPERATURE HAZARDS

This product maintains molten plastic at high pressure. Use caution when operating and servicing the system.

Physical contact with molten plastic may result in severe burns. Proper protective equipment, including eye protection, must be worn. This product has heated surfaces. Use caution when operating and servicing the system to avoid severe burns. Proper protective equipment should be worn.

D-M-E COMPANY
 29111 STEPHENSON HIGHWAY
 MADISON HEIGHTS
 MICHIGAN 48071 USA
 US 800-656-6653
 CANADA 800-387-6600
 www.dme.net