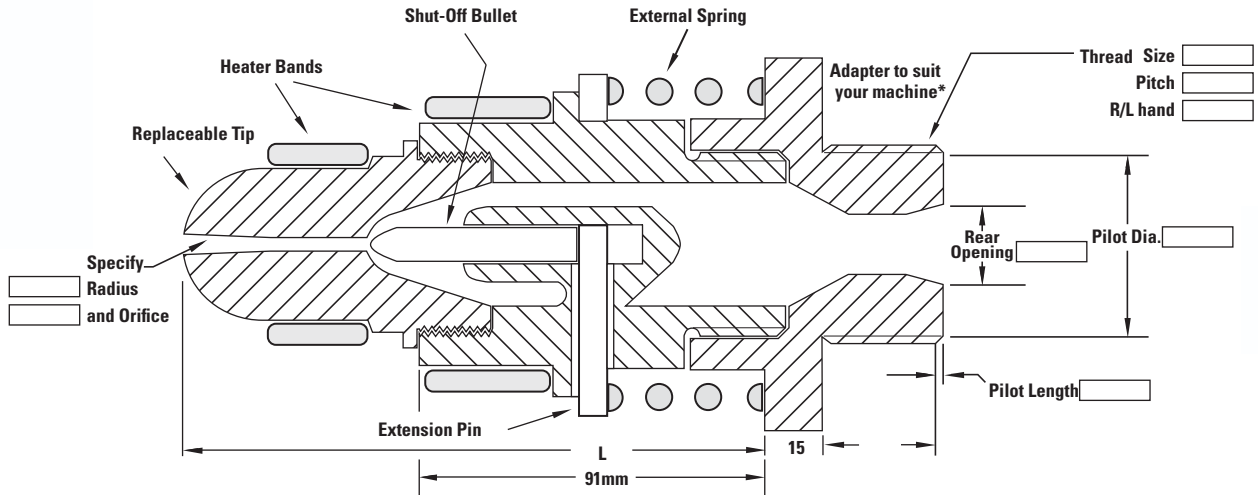


# Shut-Off Nozzle



## Shut-Off Nozzle

Includes complete assembly (Body, Tip, External Spring, Shut-Off Pin, Pin Extension, and Adapter to suit your machine)

### Description

Threads up to 2" (50mm) diameter

Threads over 2", to 2 3/4" (50mm to 70mm) dia.

### Replacement Parts

Description	Part Number
External Spring	SPG2A
Shut-Off Pin	
1" length	OPSOPA
2" length	OPSOP2
3" length	OPSOP3
Adapter up to 50mm to suit your machine	SOADA*
Nozzle Tips	
Style A	FT1
Style B	FT2
Style C	FT3

### How to Order

1. Complete information on drawing above
2. Specify tip length or style (FT1, FT2 or FT3)
3. Specify radius and orifice of tip

\*Identify thread detail, thread length and rear opening.

Company: \_\_\_\_\_  
 Account Number: \_\_\_\_\_  
 Address: \_\_\_\_\_  
 City: \_\_\_\_\_  
 State/Zip: \_\_\_\_\_

Contact Name: \_\_\_\_\_  
 Phone: \_\_\_\_\_  
 Fax: \_\_\_\_\_  
 E-mail: \_\_\_\_\_