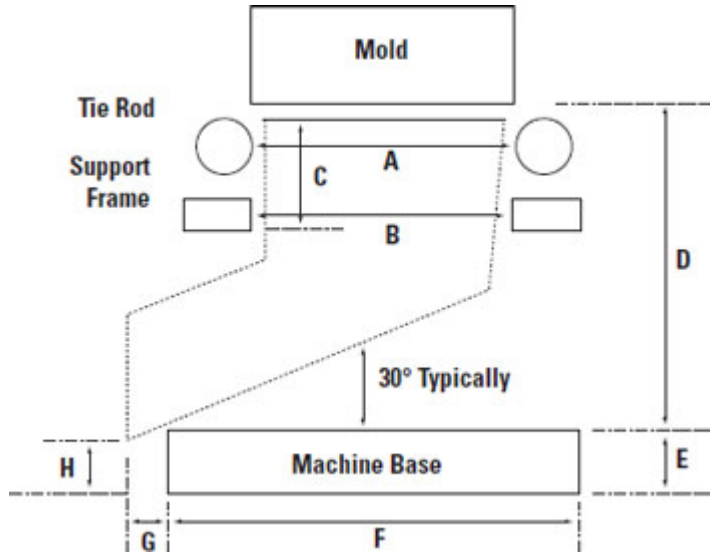


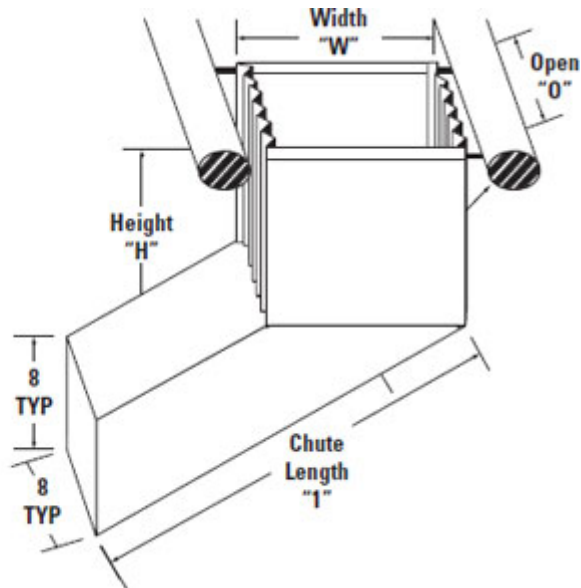
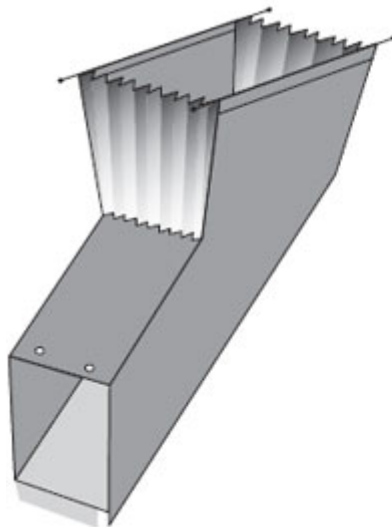
Guideskirt Quote Request Form

Company Name: _____ Account Number: _____ Contact Person: _____ Address: _____ City, State, Zip: _____ Phone, Fax: _____ Email: _____	Please fax this completed form to: 248-544-5113 or 888-808-4363 Or email sales@dme.net
---	--

1. Soft Chute Guideskirt Detachable Guideskirt
2. Mold Opening (daylight): (MAX is 24") _____
3. (A) Width between Tie Rods: _____
4. (B) Width between Frame: _____
5. (C) Clearance Height: _____
6. (D) Machine Clearance mold to base: _____
7. (E) Base to floor: _____
8. (F) Width of base: _____
9. (G) Desired extension past base: _____
10. (H) Desired discharge height: _____
11. Size of Parts: _____ L x _____ W x _____ H
12. Runner system: No Yes
13. Size: _____
14. Do you require high-temp material?
(for parts over 180°): No Yes
15. Quantity: _____



ALL dimension must be completed in order to receive a quotation



Detachable Guideskirt has a Stainless Steel tray on the bottom of the chute with a cushion insert

All guideskirts come with mounting hardware. Hardware includes straight brackets (for attaching to the mold) and right angle brackets (for mounting below the mold)

SUBMIT