

Reversible K.O. Extension Puck



KO Extensions standardize mold ejector systems by unifying press knock out rod lengths. Wide range of thread configurations available for many different press types. The reversible puck can be mounted on either side to accommodate two different sizes of knock out rods.

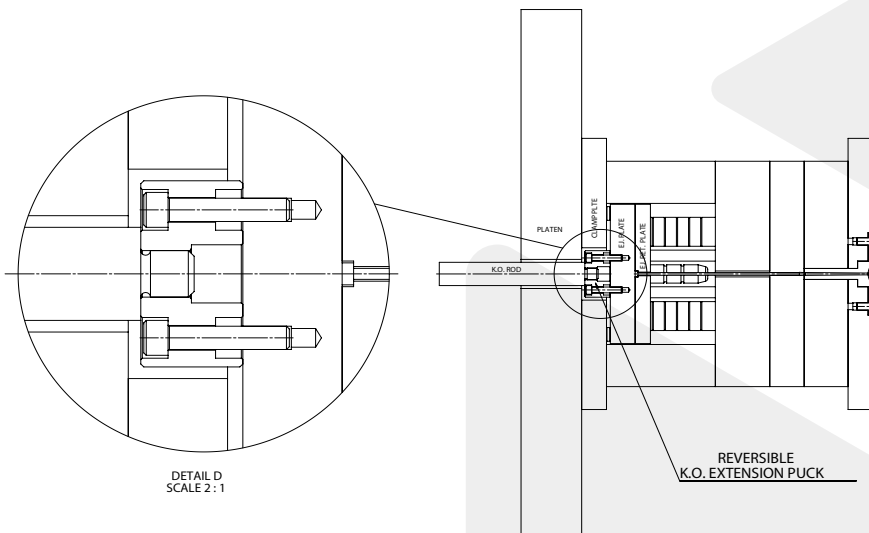
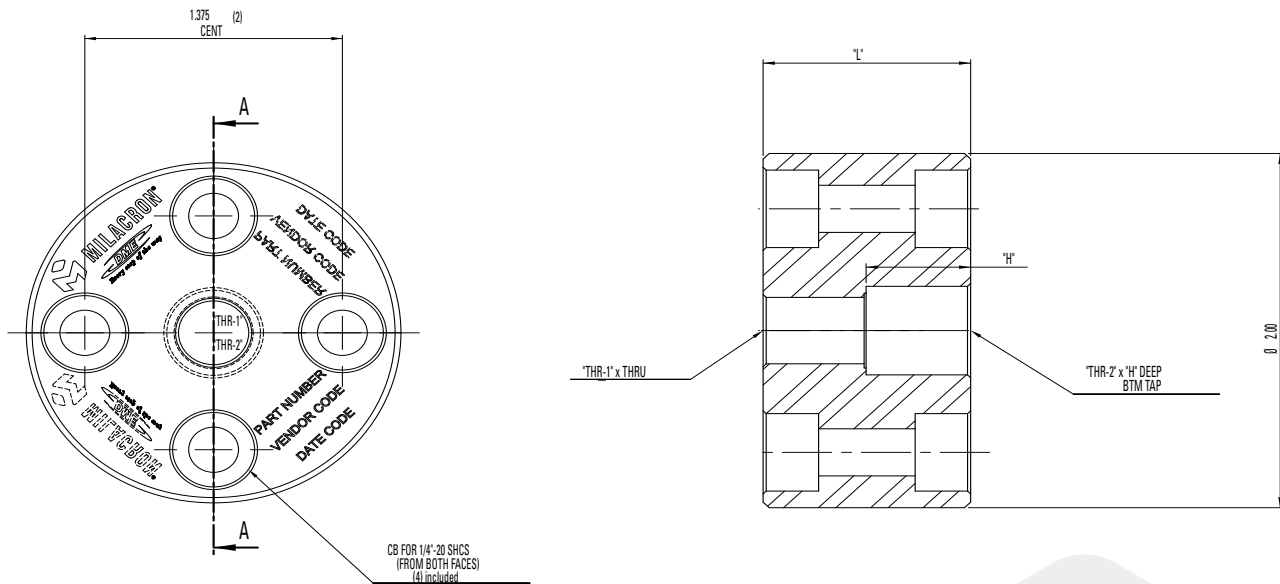


Material:

Steel - 4140 or P20
 Hardness - 28-32 HRc
 Surface Treatment - Black Oxide

ITEM NUMBER	THREAD 1 THRU	THREAD 2 H DEEP	H DIM	L DIM
BCPE103812	3/8" -16 UNC	1/2" -13 UNC	0.53	1.052
BCPE101258	1/2" -13 UNC	5/8" -11 UNC		
BCPE105834	5/8" -11 UNC	3/4" -10 UNC		
BCPE103812	3/8" -10 UNC	1/2" -13 UNC	0.78	1.552
BCPE151258	1/2" -13 UNC	5/8" -11 UNC		
BCPE155834	5/8" -11 UNC	3/4" -10 UNC		

(4) 1/4"-20 SHCS included



K.O. Extension Puck



KO Extension Pucks standardize mold ejector systems by unifying press knock out rod lengths. Wide range of thread configurations available for many different press types.



ITEM NUMBER	THREAD THRU	L DIM
BCPE1038	3/8" -16 UNC	1.052
BCPE1012	1/2" -13 UNC	
BCPE1058	5/8" -11 UNC	
BCPE1034	3/4" -10 UNC	
BCPE10NT *	NONE	
BCPE1538	3/8" -16 UNC	1.552
BCPE1512	1/2" -13 UNC	
BCPE1558	5/8" -11 UNC	
BCPE1534	3/4" -10 UNC	
BCPE15NT *	NONE	

Material:
 Steel - 4140 or P20
 Hardness - 28-32 HRc
 Surface Treatment - Black Oxide

(4) 1/4"-20 SHCS included

* NT - No Thread, Mold Maker to Machine

