

Codipro Gradup Swivel Eyebolts, Rings & Shackles



What are the benefits of the Gradup product line?

- The optimization of the raw materials enable a significant improvement in the WLL: up to 11% additional WLL (23% in safety factor 4)
- Anti-corrosion coating means that the unpainted parts of the Codipro lifting rings are resistant to salt mist spray for 600 hours

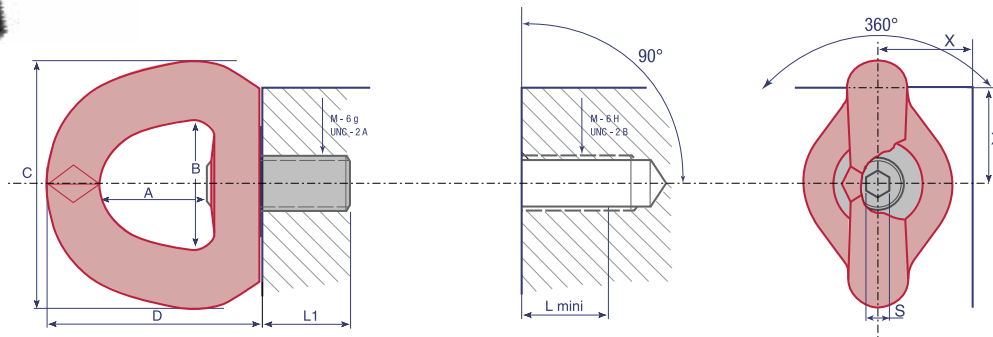
SEB Swivel Eye Bolt

Features:

Gradup



- Swivels under the load
- Equipped with an automatic position recovery system
- Tightens with Allen Wrench
- High WLL in all directions
- Optimizes orientation in the direction of the sling
- Standard in Metric and Inch
- Adaptor, centering feature and special thread options available as special order



1 in = 25.4mm

| PART NUMBER | THREAD | SF 5:1 WLL (t) | SF 4:1 WLL (t) | STANDARD L ₁ (mm) | TORQUE N.m (Nm) | | S (mm) | A (mm) | B (mm) | C (mm) | D (mm) | WEIGHT (KG) |
|-------------|-------------|---------------------|---------------------|---------------------------------|--------------------------|----|-----------|-----------|-----------|-----------|-----------|----------------|
| SEBM8UP | M8 (x1.25) | 0.40 | 0.50 | 14 | 6 | 20 | 6 | 30 | 34 | 60 | 57 | 0.24 |
| SEBM10UP | M10 (x1.5) | 0.50 | 0.70 | 17 | 10 | 20 | 6 | 30 | 34 | 60 | 57 | 0.24 |
| SEBM12UP | M12 (x1.75) | 0.80 | 0.90 | 21 | 15 | 20 | 6 | 30 | 34 | 60 | 57 | 0.24 |
| SEBM16UP | M16 (x2) | 1.40 | 1.80 | 27 | 50 | 35 | 8 | 38 | 45 | 88 | 80 | 0.8 |
| SEBM20UP | M20 (x2.5) | 2.00 | 2.70 | 30 | 100 | 35 | 8 | 38 | 45 | 88 | 80 | 0.8 |
| SEBM243T8UP | M24 (x3) | 3.20 | 3.80 | 36 | 160 | 50 | 14 | 38 | 45 | 88 | 80 | 0.8 |
| SEBM244T2UP | M24 (x3) | 3.40 | 4.20 | 36 | 160 | 50 | 14 | 58 | 70 | 115 | 106 | 2.6 |
| SEBM30UP | M30 (x3.5) | 5.50 | 6.30 | 45 | 250 | 50 | 14 | 58 | 70 | 115 | 106 | 2.7 |
| SEBM36UP | M36 (x4) | 9.00 | 11.00 | 54 | 320 | 70 | 14 | 83 | 94 | 168 | 155 | 7.0 |
| SEBM42UP | M42 (x4.5) | 12.00 | 15.00 | 63 | 400 | 70 | 14 | 83 | 94 | 168 | 155 | 7.0 |
| SEBM48UP | M48 (x5) | 15.00 | 16.00 | 68 | 600 | 70 | 19 | 80 | 94 | 168 | 155 | 7.0 |
| PART NUMBER | THREAD | SF 5:1 WLL (lbs) | SF 4:1 WLL (lbs) | STANDARD L ₁ (mm) | TORQUE N.m (foot/lbs) | | S (mm) | A (mm) | B (mm) | C (mm) | D (mm) | WEIGHT (KG) |
| SEB3/8UP | UNC 3/8-16 | 1200 | 1500 | 16 | 8 _{FL} | 20 | 4 | 30 | 34 | 60 | 57 | 0.24 |
| SEB1/2UP | UNC 1/2-13 | 1800 | 1950 | 21 | 12 _{FL} | 20 | 4 | 30 | 34 | 60 | 57 | 0.24 |
| SEB5/8UP | UNC 5/8-11 | 3200 | 4000 | 27 | 40 _{FL} | 35 | 8 | 38 | 45 | 90 | 78 | 0.8 |
| SEB3/4UP | UNC 3/4-10 | 4750 | 5900 | 30 | 80 _{FL} | 35 | 8 | 38 | 45 | 90 | 78 | 0.8 |
| SEB1UP | UNC 1-8 | 7500 | 9300 | 36 | 125 _{FL} | 50 | 14 | 58 | 70 | 134 | 115 | 2.6 |
| SEB11/4UP | UNC 1 1/4-7 | 12,200 | 13,800 | 45 | 200 _{FL} | 70 | 14 | 58 | 70 | 134 | 115 | 2.8 |
| SEB11/2UP | UNC 1 1/2-6 | 20,000 | 25,000 | 62 | 300 _{FL} | 70 | 14 | 88 | 94 | 190 | 166 | 7.0 |

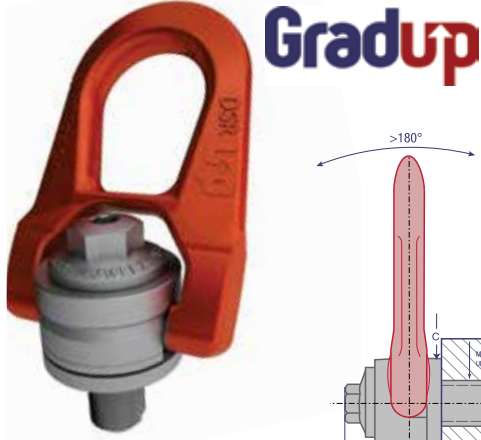




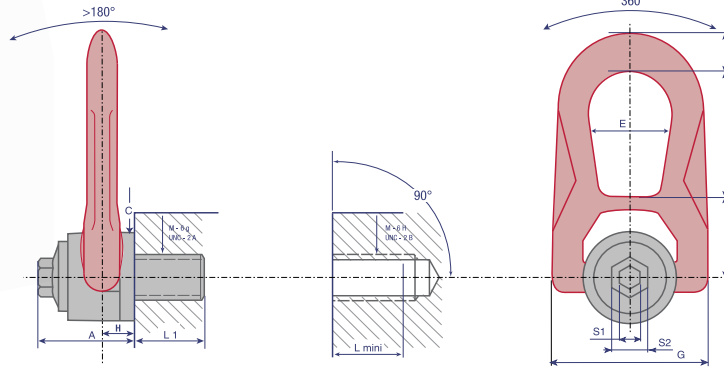
DSR Double Swivel Rings Specially Designed for Lifting Under Load

Features:

- Swivels under the load
- Designed for loads in rotation with Axial Shackle
- Two ways of tightening; open-ended spanner or allen key
- Axial shackle position
- Standard in Metric and Inch
- Stainless steel, adaptor, centering feature and special thread options available as special order



Gradup



1 in = 25.4mm

| PART NUMBER | THREAD (DIA) | SF 5:1 WLL (t) | SF 4:1 WLL (t) | STANDARD L1 (mm) | TORQUE N.m | S1 (mm) | S2 (mm) | A (mm) | B (mm) | C (mm) | D (mm) | E (mm) | F (mm) | G (mm) | H (mm) | WEIGHT (KG) |
|-------------|--------------|------------------|------------------|------------------|-----------------|---------|---------|--------|--------|--------|--------|--------|--------|--------|--------|-------------|
| DSRM5UP | M5 (x0.8) | 0.07 | 0.10 | 15 | 3 | 8 | 16 | 32 | 30 | 30 | 38 | 27 | 14 | 53 | 9.5 | 0.3 |
| DSRM6UP | M6 (x1) | 0.15 | 0.20 | 15 | 4 | 8 | 16 | 33 | 30 | 30 | 38 | 27 | 14 | 53 | 9.5 | 0.3 |
| DSRM8UP | M8 (x1.25) | 0.40 | 0.50 | 15 | 6 | 8 | 16 | 33 | 30 | 30 | 38 | 27 | 14 | 53 | 9.5 | 0.3 |
| DSRM10UP | M10 (x1.50) | 0.70 | 0.90 | 18 | 10 | 8 | 16 | 33 | 30 | 30 | 38 | 27 | 14 | 53 | 9.5 | 0.3 |
| DSRM12UP | M12 (x1.75) | 1.05 | 1.30 | 21 | 15 | 8 | 16 | 33 | 30 | 30 | 38 | 27 | 14 | 53 | 9.5 | 0.3 |
| DSRM14UP | M14 (x2) | 1.40 | 1.80 | 23 | 30 | 8 | 20 | 33 | 40 | 45 | 53 | 38 | 17 | 76 | 13 | 0.9 |
| DSRM16UP | M16 (x2.5) | 2.00 | 2.30 | 27 | 50 | 8 | 20 | 45 | 40 | 45 | 53 | 38 | 17 | 76 | 13 | 0.9 |
| DSRM18UP | M18 (x2.5) | 2.30 | 2.30 | 27 | 70 | 8 | 20 | 45 | 40 | 45 | 53 | 38 | 17 | 76 | 13 | 0.9 |
| DSRM20t5UP | M20 (x2.5) | 2.50 | 2.50 | 30 | 100 | 8 | 20 | 45 | 40 | 45 | 53 | 38 | 17 | 76 | 13 | 0.9 |
| DSRM203t2UP | M20 (x2.5) | 2.90 | 3.20 | 25 | 100 | 14 | 24 | 62 | 55 | 60 | 83 | 55 | 25 | 115 | 19 | 2.6 |
| DSRM22UP | M22 (X2.5) | 3.50 | 4.50 | 33 | 120 | 14 | 24 | 62 | 55 | 60 | 83 | 55 | 25 | 115 | 19 | 2.6 |
| DSRM24UP | M24 (X3) | 4.40 | 5.50 | 36 | 160 | 14 | 24 | 62 | 55 | 60 | 83 | 55 | 25 | 115 | 19 | 2.6 |
| DSRM27UP | M27 (X3) | 5.70 | 6.00 | 40 | 200 | 14 | 24 | 62 | 55 | 60 | 83 | 55 | 25 | 115 | 19 | 2.7 |
| DSRM306t3UP | M30 (x3.5) | 6.00 | 6.30 | 45 | 250 | 14 | 24 | 62 | 55 | 60 | 83 | 55 | 25 | 115 | 19 | 2.7 |
| DSRM308tUP | M30 (x3.5) | 6.70 | 8.00 | 45 | 250 | 14 | 24 | 80 | 77 | 78 | 83 | 71 | 26 | 141 | 28 | 5.4 |
| DSRM36UP | M36 (x4) | 8.00 | 8.50 | 54 | 320 | 14 | 24 | 80 | 77 | 78 | 83 | 71 | 26 | 141 | 28 | 5.4 |
| DSRM42UP | M42 (X4.5) | 8.50 | 9.00 | 63 | 400 | 14 | 24 | 80 | 77 | 78 | 83 | 71 | 26 | 141 | 28 | 5.5 |
| PART NUMBER | THREAD (DIA) | SF 5:1 WLL (lbs) | SF 4:1 WLL (lbs) | STANDARD L1 (mm) | TORQUE (ft/lbs) | S1 (mm) | S2 (mm) | A (mm) | B (mm) | C (mm) | D (mm) | E (mm) | F (mm) | G (mm) | H (mm) | WEIGHT (KG) |
| DSR1/4UP | UNC 1/4-20 | 330 | 450 | 13 | 3 | 8 | 16 | 32 | 30 | 30 | 38 | 27 | 14 | 53 | 9.5 | 0.3 |
| DSR5/16UP | UNC 5/16-18 | 1,000 | 1,200 | 15 | 5 | 8 | 16 | 33 | 30 | 30 | 38 | 27 | 14 | 53 | 9.5 | 0.3 |
| DSR3/8UP | UNC 3/8-16 | 1,300 | 1,600 | 17 | 8 | 8 | 16 | 33 | 30 | 30 | 38 | 27 | 14 | 53 | 9.5 | 0.3 |
| DSR1/2UP | UNC 1/2-13 | 2,400 | 2,800 | 21 | 12 | 8 | 16 | 33 | 30 | 30 | 38 | 27 | 14 | 53 | 9.5 | 0.3 |
| DSR5/8UP | UNC 5/8-11 | 3,900 | 4,900 | 27 | 40 | 8 | 20 | 45 | 40 | 45 | 53 | 38 | 7 | 76 | 13 | 0.9 |
| DSR3/4UP | UNC 3/4-10 | 5,250 | 5,250 | 30 | 80 | 8 | 20 | 45 | 40 | 45 | 53 | 38 | 17 | 76 | 13 | 0.9 |
| DSR7/8UP | UNC 7/8-9 | 7,900 | 9,800 | 33 | 90 | 14 | 24 | 62 | 55 | 60 | 83 | 55 | 25 | 115 | 19 | 2.5 |
| DSR1UP | UNC 1-8 | 11,200 | 12,500 | 36 | 125 | 14 | 24 | 62 | 55 | 60 | 83 | 55 | 25 | 115 | 19 | 2.6 |
| DSR11/8UP | UNC 1-1/8-7 | 11,500 | 13,000 | 42 | 160 | 14 | 24 | 62 | 55 | 60 | 83 | 55 | 25 | 115 | 19 | 2.6 |
| DSR11/4UP | UNC 1-1/8-7 | 13,500 | 13,500 | 45 | 200 | 14 | 24 | 62 | 55 | 60 | 83 | 55 | 25 | 115 | 19 | 2.7 |



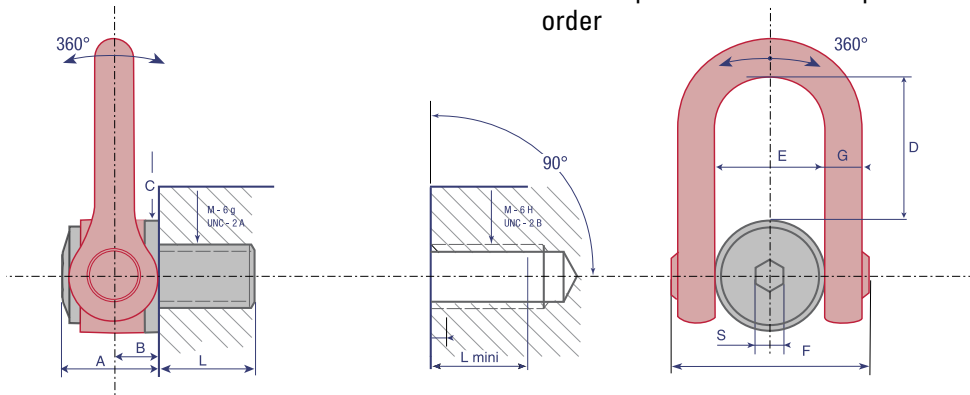
Features:

- Large shackle for easy secure connection directly to crane hook
- Compact and Ergonomic; requires less clearance
- Tightens with allen wrench
- Double articulation allows perfect alignment with the sling
- Standard in Metric and Inch
- Stainless Steel, adaptor and special thread options available as special order

DSS Double Swivel Shackle

Specially Designed for Lifting and Turning Under Heavy Load

GradUp



1 in = 25.4mm

| PART NUMBER | THREAD (DIA) | SF 5:1 WLL (t) | SF 4:1 WLL (t) | STANDARD L1 (mm) | TORQUE N.m | S (mm) | A (mm) | B (mm) | C (mm) | D (mm) | E (mm) | F (mm) | G (mm) | WEIGHT (KG) |
|-------------|--------------|------------------|------------------|------------------|-------------------|--------|--------|--------|--------|--------|--------|--------|--------|-------------|
| DSSM24UP | M24 (x3) | 4.50 | 5.50 | 36 | 160 | 19 | 61 | 31 | 70 | 104 | 73 | 149 | 33 | 5.4 |
| DSSM30UP | M30 (x3.5) | 7.70 | 8.50 | 45 | 250 | 19 | 61 | 31 | 70 | 104 | 73 | 149 | 33 | 5.5 |
| DSSM33UP | M33 (x3.5) | 8.50 | 10.50 | 50 | 250 | 19 | 61 | 31 | 70 | 104 | 73 | 149 | 33 | 5.5 |
| DSSM36UP | M36 (x4) | 11.00 | 12.00 | 54 | 320 | 19 | 61 | 31 | 70 | 104 | 73 | 149 | 33 | 5.5 |
| DSSM36X3UP | M36 (x3) | 11.00 | 12.00 | 54 | 320 | 19 | 61 | 31 | 70 | 104 | 73 | 149 | 33 | 5.5 |
| DSSM39UP | M39 (x4) | 12.00 | 14.00 | 58 | 320 | 19 | 61 | 31 | 70 | 104 | 73 | 149 | 33 | 5.7 |
| DSSM42UP | M42 (4.5) | 13.00 | 15.00 | 63 | 400 | 19 | 61 | 31 | 70 | 104 | 73 | 149 | 33 | 5.8 |
| DSSM42X3UP | M42 (x3) | 13.00 | 15.00 | 63 | 400 | 19 | 61 | 31 | 70 | 104 | 73 | 149 | 33 | 5.8 |
| DSSM45UP | M45 (x4.5) | 14.50 | 16.00 | 63 | 400 | 19 | 61 | 31 | 70 | 104 | 73 | 145 | 33 | 5.9 |
| DSSM48UP | M48(x5) | 17.00 | 20.00 | 68 | 600 | 19 | 79 | 38 | 90 | 125 | 91 | 182 | 45 | 11.0 |
| DSSM48X3UP | M48(x3) | 17.00 | 20.00 | 68 | 600 | 19 | 79 | 38 | 90 | 125 | 91 | 182 | 45 | 11.0 |
| DSSM48X4UP | M48(x4) | 17.00 | 20.00 | 68 | 600 | 19 | 79 | 38 | 90 | 125 | 91 | 182 | 45 | 11.0 |
| DSSM52UP | M52 (x5) | 19.00 | 20.00 | 68 | 600 | 19 | 79 | 38 | 90 | 125 | 91 | 182 | 45 | 11.2 |
| DSSM56UP | M56 (x5.5) | 22.00 | 25.00 | 78 | 600 | 19 | 79 | 38 | 90 | 125 | 91 | 182 | 45 | 11.3 |
| DSSM56X4UP | M56 (x4) | 22.00 | 25.00 | 78 | 600 | 19 | 79 | 38 | 90 | 125 | 91 | 182 | 45 | 11.4 |
| DSSM64UP | M64 (x6) | 25.00 | 32.10 | 90 | 600 | 19 | 79 | 38 | 95 | 125 | 91 | 182 | 45 | 12.2 |
| DSSM64X4UP | M64 (x4) | 25.00 | 32.10 | 90 | 600 | 19 | 79 | 38 | 95 | 125 | 91 | 182 | 45 | 12.2 |
| DSSM72UP | M72 (x6) | 22.00 | 25.00 | 90 | 600 | 19 | 79 | 38 | 95 | 125 | 91 | 182 | 45 | 14.0 |
| DSSM72X4UP | M72 (x4) | 22.00 | 25.00 | 90 | 600 | 19 | 79 | 38 | 95 | 125 | 91 | 182 | 45 | 14.0 |
| DSSM80UP | M80 (x6) | 25.00 | 32.10 | 90 | 600 | 19 | 79 | 38 | 100 | 125 | 91 | 182 | 45 | 15.0 |
| DSSM90UP | M90 (x6) | 25.00 | 32.10 | 90 | 600 | 19 | 79 | 38 | 100 | 125 | 91 | 182 | 45 | 15.5 |
| DSSM100UP | M100 (x6) | 25.00 | 32.10 | 90 | 600 | 19 | 79 | 38 | 110 | 125 | 91 | 182 | 45 | 16.50 |
| PART NUMBER | THREAD (DIA) | SF 5:1 WLL (lbs) | SF 4:1 WLL (lbs) | STANDARD L1 (mm) | TORQUE (foot-lbs) | S (mm) | A (mm) | B (mm) | C (mm) | D (mm) | E (mm) | F (mm) | G (mm) | WEIGHT (KG) |
| DSS1UP | UNC 1"-8 | 10,000 | 13,000 | 36 | 125 | 19 | 61 | 31 | 70 | 104 | 73 | 149 | 33 | 5.4 |
| DSS11/4UP | UNC 1-1/4"-7 | 15,000 | 19,000 | 45 | 200 | 19 | 61 | 31 | 70 | 104 | 73 | 149 | 33 | 5.4 |
| DSS13/8UP | UNC 1-3/8"-6 | 21,000 | 22,000 | 54 | 240 | 19 | 61 | 31 | 70 | 104 | 73 | 149 | 33 | 5.4 |
| DSS11/2UP | UNC 1-1/2"-6 | 22,000 | 27,000 | 54 | 240 | 19 | 61 | 31 | 70 | 104 | 73 | 149 | 29 | 5.4 |
| DSS13/4UP | UNC 1-3/4"-5 | 27,000 | 33,000 | 63 | 300 | 19 | 61 | 31 | 70 | 104 | 73 | 149 | 33 | 5.4 |
| DSS2UP | UNC 2"-4 1/2 | 38,000 | 50,000 | 76 | 450 | 19 | 79 | 38 | 90 | 125 | 91 | 182 | 45 | 11.1 |
| DSS21/2UP | UNC 2-1/2"-4 | 48,500 | 53,000 | 90 | 450 | 19 | 79 | 38 | 95 | 125 | 91 | 182 | 45 | 12.2 |



MEGADSS

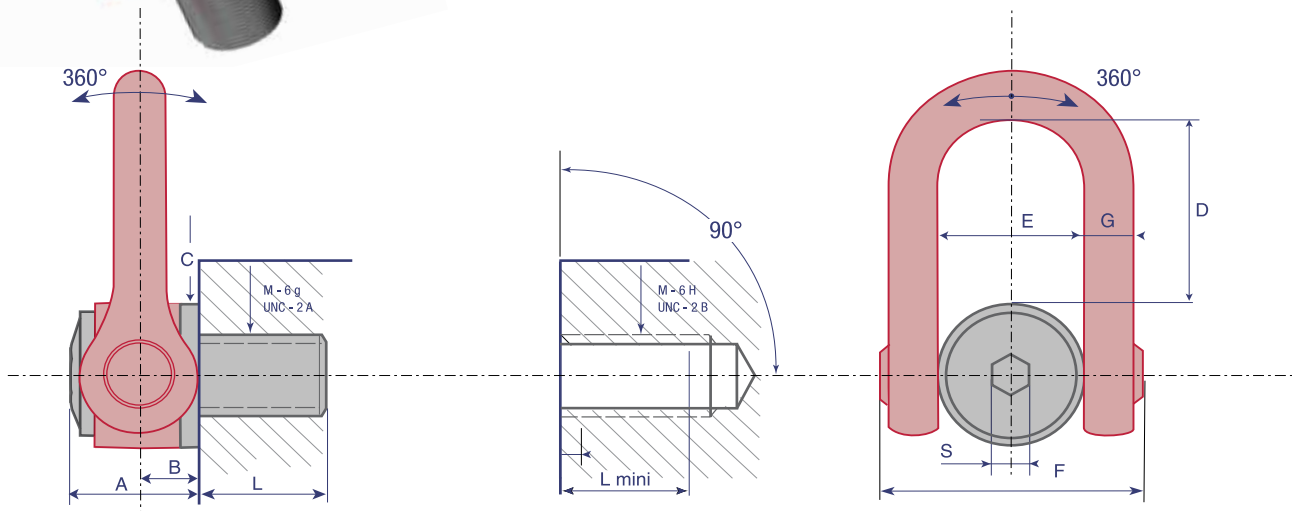
Double Swivel Shackle

Specially Designed for Lifting and Turning Loads up to 50 Tons

Gradup Features:



- Large shackle for easy secure connection directly to crane hook
- Compact and Ergonomic; requires less clearance
- Tightens with allen wrench
- Double articulation allows perfect alignment with the sling
- Standard in Metric and Inch
- Stainless Steel, adaptor and special thread options available as special order



1in = 25.4mm

| PART NUMBER | THREAD (DIA) | SF 5:1 WLL (lbs) | SF 4:1 WLL (lbs) | STANDARD L1 (mm) | TORQUE N.m | S (mm) | A (mm) | B (mm) | C (mm) | D (mm) | E (mm) | F (mm) | G (mm) | WEIGHT (KG) |
|----------------|--------------------|------------------|------------------|------------------|-------------------|--------|--------|--------|--------|--------|--------|--------|--------|-------------|
| MEGADSSM64UP | M64 (x6) | 26.00 | 33.00 | 100 | 600 | 36 | 127 | 64 | 140 | 195 | 143 | 278 | 69 | 42.0 |
| MEGADSSM72UP | M72 (x6) | 28.00 | 35.00 | 110 | 700 | 36 | 127 | 64 | 140 | 195 | 143 | 278 | 69 | 43.0 |
| MEGADSSM72X4UP | M72 (x4) | 28.00 | 35.00 | 110 | 700 | 36 | 127 | 64 | 140 | 195 | 143 | 278 | 69 | 43.0 |
| MEGADSSM80UP | M80 (x6) | 32.00 | 40.00 | 120 | 800 | 36 | 127 | 64 | 140 | 195 | 143 | 278 | 69 | 44.5 |
| MEGADSSM90UP | M90 (x6) | 36.00 | 45.00 | 135 | 900 | 36 | 127 | 64 | 140 | 195 | 143 | 278 | 69 | 46.5 |
| MEGADSSM100UP | M100 (x6) | 48.00 | 60.00 | 150 | 1000 | 36 | 127 | 64 | 140 | 195 | 143 | 278 | 69 | 49.0 |
| PART NUMBER | THREAD (DIA) | SF 5:1 WLL (lbs) | SF 4:1 WLL (lbs) | STANDARD L1 (mm) | TORQUE (foot/lbs) | S (mm) | A (mm) | B (mm) | C (mm) | D (mm) | E (mm) | F (mm) | G (mm) | WEIGHT (KG) |
| MEGADSS23/4UP | UNC 2-3/4" - 3/8-6 | 60,000 | 75,000 | 105 | 520 | 36 | 127 | 64 | 140 | 195 | 143 | 278 | 69 | 42.5 |
| MEGADSS3UP | UNC 3" - 1/2-6 | 64,000 | 80,000 | 115 | 520 | 36 | 127 | 64 | 140 | 195 | 143 | 278 | 69 | 43.0 |
| MEGADSS31/4UP | UNC 3-1/4" - 3 1/2 | 72,000 | 90,000 | 125 | 590 | 36 | 127 | 64 | 140 | 195 | 143 | 278 | 69 | 44.5 |
| MEGADSS31/2UP | UNC 3-1/2" - 1/2-4 | 76,000 | 95,000 | 135 | 665 | 36 | 127 | 64 | 140 | 195 | 143 | 278 | 69 | 46.0 |
| MEGADSS33/4UP | UNC 3-3/4" - 1/2-4 | 80,000 | 100,000 | 145 | 740 | 36 | 127 | 64 | 140 | 195 | 143 | 278 | 69 | 47.0 |
| MEGADSS4UP | UNC 4" - 1/2-4 | 88,000 | 110,000 | 150 | 740 | 36 | 127 | 64 | 140 | 195 | 143 | 278 | 69 | 49.0 |

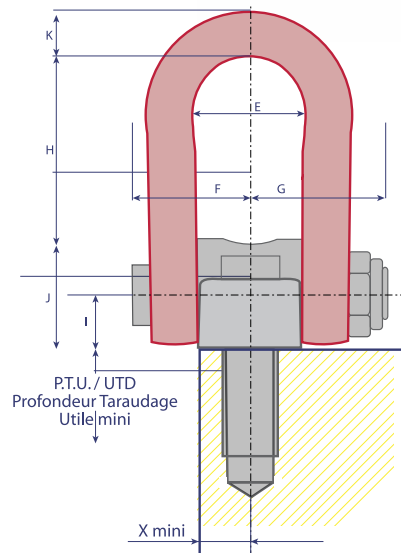
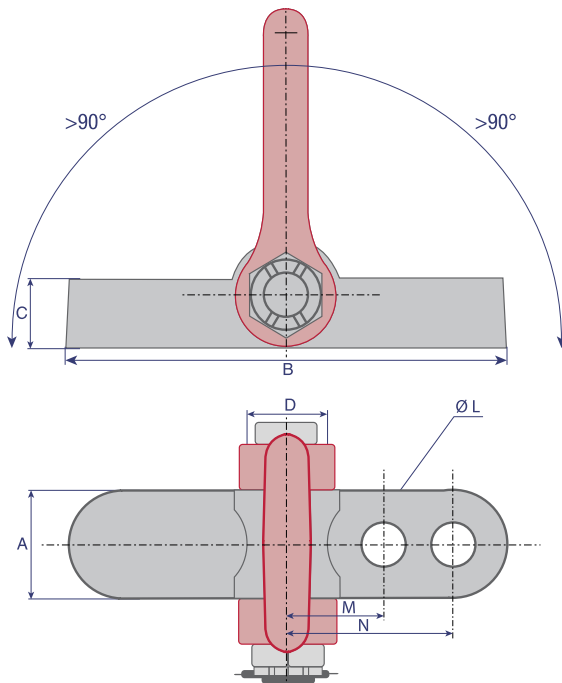


CSS - Central Safety Shackle

Specially Designed for Lifting and Turning Loads up to metric 55 tons

Features:

- Large eye on the shackle for easy connections
- Compact and Ergonomic base; requires less clearance
- Easy to attach and use
- Individual engraving
- Delivered with a certificate of conformity for each shackle



| PART NUMBER | WORK LOAD LIMIT (TO) | X mini | A | B | C | D | E | F | G | H | I | J | K |
|-------------|----------------------|--------|-----|-----|----|-----|-----|-----|-----|-----|----|-----|------|
| CSS20T | 44,000 | 40 | 80 | 220 | 50 | 62 | 90 | 88 | 98 | 132 | 38 | 76 | 41 |
| CSS32T | 70,950 | 40 | 80 | 330 | 50 | 62 | 90 | 88 | 98 | 132 | 38 | 76 | 41 |
| CSS55T | 121,000 | 53 | 105 | 540 | 85 | 175 | 184 | 160 | 170 | 267 | 85 | 175 | 79.5 |

Drilling and screw specifications

DIN912-12.9

| PART NUMBER | DRILLING | | | PTU/UTD | SCREW | | | | | |
|-------------|----------|-----|-----|-------------------------|-------|--------|--------|------|--------|-----|
| | Ø L | M | N | USEFUL MIN THREAD DEPTH | QTY | THREAD | LENGTH | HEAD | | N.m |
| | | | | | | | | Ø | HEIGHT | |
| CSS20T | 38 | 70 | / | 54 | 2 | M36 | 100 | 54 | 36 | 600 |
| CSS32T | 38 | 70 | 130 | 54 | 4 | M36 | 100 | 54 | 36 | 600 |
| CSS55T | 50 | 133 | 210 | 85 | 4 | M48 | 160 | 72 | 48 | 600 |