

## D-M-E CounterView Mold Counter 100-200 Series

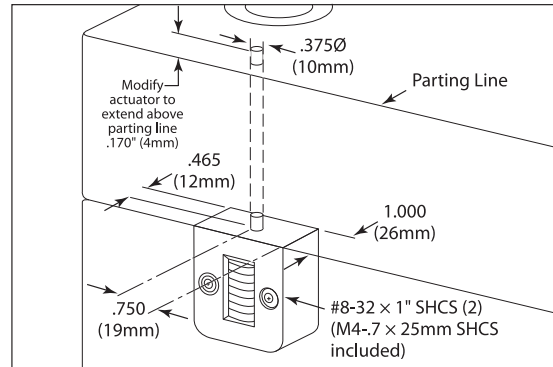
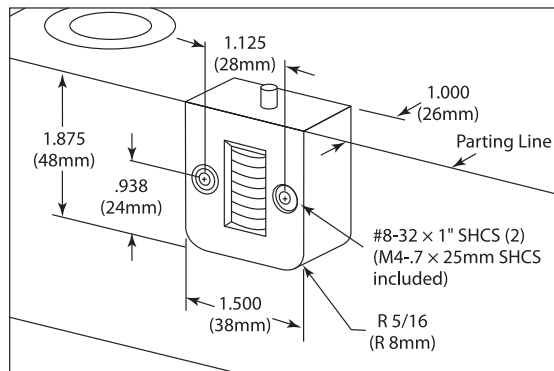
Accurately monitors mold operation, validates process monitoring data, and assists mold maintenance procedures.

With a maximum operating temperature of 250°F (121°C), this precise device uses a non-resettable, mechanical, 7-digit counter to record the number of times a mold closes. Easily mountable to accommodate changeovers for different mold insert heights, the unit's counting mechanism relies on a sensor that detects when the mold has closed. Each mold cycle triggers the digital display to increase or decrease the counting mechanism, depending on how it's been set.



### Features and Benefits

- ◆ Positively monitors mold activity
- ◆ Confirms process monitoring data
- ◆ Maximizes mold maintenance procedures
- ◆ Enables access to mold information online at <http://moldmonitor.com>
- ◆ Glass-filled nylon housing for rugged durability



#### Parting Line Mount

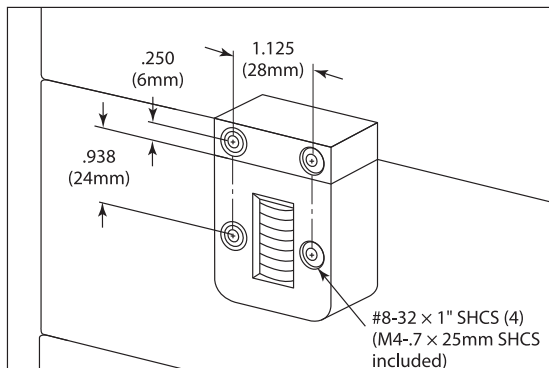
Parting line mount makes unit easily visible.

Part#	Item	Price Each
<b>CVPL100D</b>	Inch Standard	\$82.20
<b>CVPL200D</b>	Metric Standard	\$82.20

#### Internal Extension Mount

Machinable 8" [203mm] extension enables support plate or rail installation

Part#	Item	Price Each
<b>CVIN100D</b>	Inch Standard	\$94.80
<b>CVIN200D</b>	Metric Standard	\$94.80



#### External Mount

Pocket machining not necessary. Designed specifically for retrofit applications

Part#	Item	Price Each
<b>CVEX100D</b>	Inch Standard	\$102.00
<b>CVEX200D</b>	Metric Standard	\$102.00

**NOTE: ALL PRICES ARE IN CANADIAN DOLLARS!**

Each CounterView has a unique serial number that allows users to view mold information online at [moldmonitor.com](http://moldmonitor.com).

CounterView is a registered trademark of Progressive Components.  
U.S.# 5,571,539  
Others issued and pending

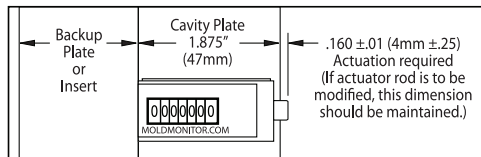
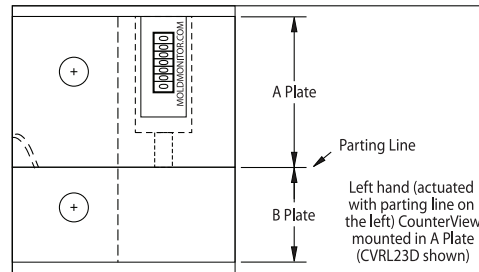
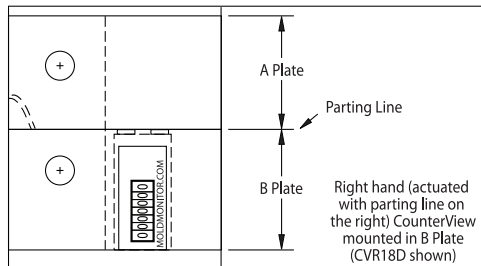
# CounterView® Mold Counter

**D-M-E**

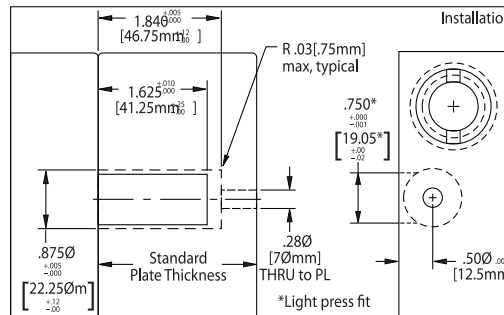


## CounterView® (R-Series)

The CounterView accurately monitors mold operation, validates process monitoring data, and assists mold maintenance procedures. With a maximum operating temperature of 250°F (121°C), this precise unit has a non-resettable, mechanical, 7-digit counter and a glass-filled nylon housing for rugged durability.



The R-Series CounterView can be installed in the A or B plates with a minimum thickness of 1.875" (47mm). Larger plates utilize a threaded rod (included with each) that is pre-machined to the appropriate length for standard plate thicknesses to provide consistent actuation.



Each R-Series CounterView includes the actuator. All except CVR18D and CVRL18D require attachment of actuator rod to the threaded unit.



**NOTE: ALL PRICES ARE IN CANADIAN DOLLARS!**

Parting Line at Left	Part Number	Nominal Plate Thickness	Price Each
Inch Standard	<b>CVRL18D</b>	1.875"	\$82.20
	<b>CVRL23D</b>	2.375"	\$94.80
	<b>CVRL28D</b>	2.875"	\$94.80
	<b>CVRL33D</b>	3.375"	\$94.80
	<b>CVRL38D</b>	3.875"	\$94.80
	<b>CVRL43D</b>	4.375"	\$94.80
	<b>CVRL83D</b>	8.375"	\$94.80
Metric Standard	<b>CVRL56D</b>	56 mm	\$94.80
	<b>CVRL66D</b>	66 mm	\$94.80
	<b>CVRL76D</b>	76 mm	\$94.80
	<b>CVRL96D</b>	96 mm	\$94.80

Parting Line at Right	Part Number	Nominal Plate Thickness	Price Each
Inch Standard	<b>CVR18D</b>	1.875"	\$82.20
	<b>CVR23D</b>	2.375"	\$94.80
	<b>CVR28D</b>	2.875"	\$94.80
	<b>CVR33D</b>	3.375"	\$94.80
	<b>CVR38D</b>	3.875"	\$94.80
	<b>CVR43D</b>	4.375"	\$94.80
	<b>CVR83D</b>	8.375"	\$94.80
Metric Standard	<b>CVR56D</b>	56 mm	\$94.80
	<b>CVR66D</b>	66 mm	\$94.80
	<b>CVR76D</b>	76 mm	\$94.80
	<b>CVR96D</b>	96 mm	\$94.80

Replacement Actuator Rods			Inch Standard		
Metric Standard			Part Number	Rod Length	Price Each
Part Number	Rod Length	Price Each	<b>RCV23</b>	0.5 inch	\$14.40
<b>RCV56</b>	8.38 mm	\$14.40	<b>RCV23</b>	1.0 inch	\$14.40
<b>RCV66</b>	18.39 mm	\$14.40	<b>RCV23</b>	1.5 inch	\$14.40
<b>RCV76</b>	28.37 mm	\$14.40	<b>RCV23</b>	2.0 inch	\$14.40
<b>RCV96</b>	48.38 mm	\$14.40	<b>RCV23</b>	2.5 inch	\$14.40
			<b>RCV23</b>	6.5 inch	\$14.40

featuring the best of:

**269b**

Northern Supply (800-365-6565) • Nickerson Machinery (800-821-9534) • OHS (Ontario-888-809-7050/Quebec-888-475-9224)

