

# GPMS Rupture Disks



*DME Molding Supplies Line of GPMS Extruder Rupture Disks (Burst Plugs) are primarily used on Plastics Extrusion Machinery to provide emergency pressure relief. Extruder Rupture Disks from DME Molding Supplies are designed to instantaneously rupture at a pre-determined pressure. Extruder Rupture Disks are leak tight and intrinsically safe devices that require no maintenance.*



*The GPMS Line of Extruder Rupture Disk assemblies are manufactured from 304 SS and incorporate either an Inconel or Stainless Steel Disk which minimize the affects of varying processing temperatures. The ERD Series of Extruder Rupture Disks from DME Molding Supplies are offered in a wide variety of lengths and configurations. Standard stock assemblies are available in burst pressures ranging from 1,500 up to 15,000 psi, and lengths from 1.82" up to 12".*

*Several different mounting threads are offered on the GPMS Line of ERD Series Extruder Rupture Disks that are commonly found on plastics extrusion machinery.*



featuring the best of:

Northern Supply (800-365-6565) • Nickerson Machinery (800-821-9534) • OHS (Ontario-888-809-7050/Quebec-888-475-9224)

195a

B

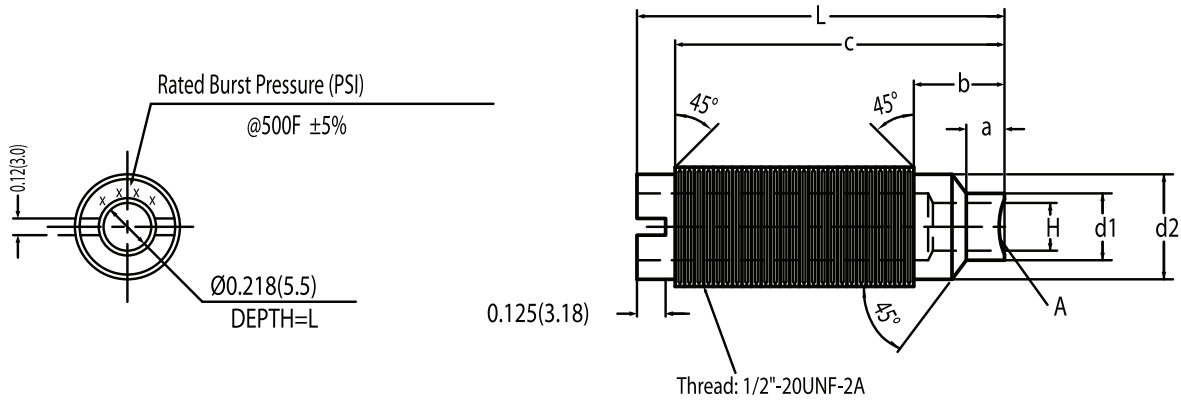
# GPMS Rupture Disks

1/2" - 20 Mounting Thread

1.8" Length

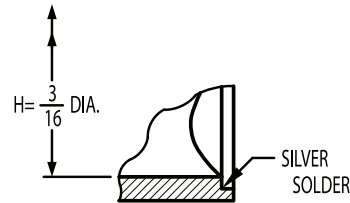


**GLOBAL  
PLASTIC  
MOULDING  
SUPPLIES**



| a           | b          | c           | L          |
|-------------|------------|-------------|------------|
| 0.250(6.35) | 0.50(12.7) | 1.63(41.40) | 1.82(46.2) |
| 0.234(5.94) |            |             |            |

| H            | d1           | d2            |
|--------------|--------------|---------------|
| 3/16" (4.76) | Ø0.310(7.87) | Ø0.420(10.67) |
|              | Ø0.305(7.75) | Ø0.410(10.41) |



DETAIL A

| Part Number       | Mounting Thread | Length | Head Styles | Discharge Connection | Burst Pressure | Price Each |
|-------------------|-----------------|--------|-------------|----------------------|----------------|------------|
| <b>ERD2-1.5M</b>  | 1/2" 20 UNF     | 1.82"  | Slotted     | None                 | 1,500          | \$48.00    |
| <b>ERD2-2.5M</b>  | 1/2" 20 UNF     | 1.82"  | Slotted     | None                 | 2,500          | \$48.00    |
| <b>ERD2-3.5M</b>  | 1/2" 20 UNF     | 1.82"  | Slotted     | None                 | 3,500          | \$48.00    |
| <b>ERD2-4.5M</b>  | 1/2" 20 UNF     | 1.82"  | Slotted     | None                 | 4,500          | \$48.00    |
| <b>ERD2-5.5M</b>  | 1/2" 20 UNF     | 1.82"  | Slotted     | None                 | 5,500          | \$48.00    |
| <b>ERD2-6.5M</b>  | 1/2" 20 UNF     | 1.82"  | Slotted     | None                 | 6,500          | \$48.00    |
| <b>ERD2-7.5M</b>  | 1/2" 20 UNF     | 1.82"  | Slotted     | None                 | 7,500          | \$48.00    |
| <b>ERD2-8.5M</b>  | 1/2" 20 UNF     | 1.82"  | Slotted     | None                 | 8,500          | \$48.00    |
| <b>ERD2-9.5M</b>  | 1/2" 20 UNF     | 1.82"  | Slotted     | None                 | 9,500          | \$48.00    |
| <b>ERD2-10.5M</b> | 1/2" 20 UNF     | 1.82"  | Slotted     | None                 | 10,500         | \$48.00    |
| <b>ERD2-12.5M</b> | 1/2" 20 UNF     | 1.82"  | Slotted     | None                 | 12,500         | \$48.00    |
| <b>ERD2-15M</b>   | 1/2" 20 UNF     | 1.82"  | Slotted     | None                 | 15,000         | \$48.00    |

195b

featuring the best of:

Northern Supply (800-365-6565) • Nickerson Machinery (800-821-9534) • OHS (Ontario-888-809-7050/Quebec-888-475-9224)

# GPMS Rupture Disks

## 1/2" - 20 Mounting Thread

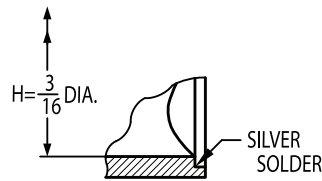


### 3" Length

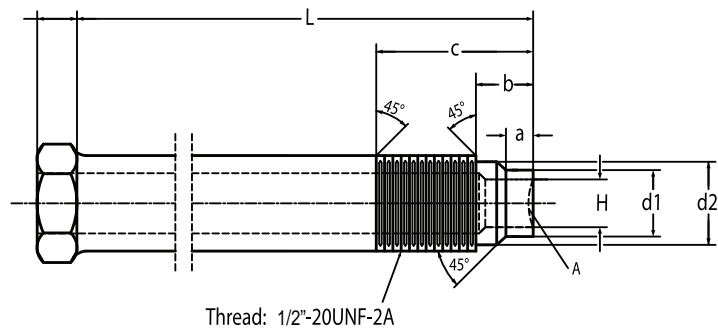
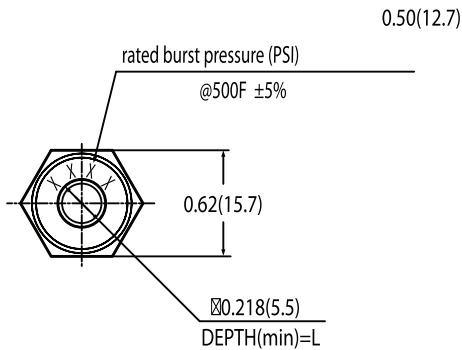


| a                          | b          | c           | L          |
|----------------------------|------------|-------------|------------|
| 0.250(6.35)<br>0.234(5.94) | 0.50(12.7) | 1.81(45.97) | 3.00(76.2) |

| H            | d1                           | d2                             |
|--------------|------------------------------|--------------------------------|
| 3/16" (4.76) | Ø0.310(7.87)<br>Ø0.305(7.75) | Ø0.420(10.67)<br>Ø0.410(10.41) |



DETAIL A



Thread: 1/2"-20UNF-2A

| Part Number         | Mounting Thread | Length | Head Styles | Discharge Connection | Burst Pressure | Price Each |
|---------------------|-----------------|--------|-------------|----------------------|----------------|------------|
| <b>ERD3H1.5M</b>    | 1/2" 20 UNF     | 3"     | Hex         | None                 | 1,500          | \$103.00   |
| <b>ERD3H2.5M</b>    | 1/2" 20 UNF     | 3"     | Hex         | None                 | 2,500          | \$103.00   |
| <b>ERD3H3.5M</b>    | 1/2" 20 UNF     | 3"     | Hex         | None                 | 3,500          | \$103.00   |
| <b>ERD3H4.5M</b>    | 1/2" 20 UNF     | 3"     | Hex         | None                 | 4,500          | \$103.00   |
| <b>ERD3H5.5M</b>    | 1/2" 20 UNF     | 3"     | Hex         | None                 | 5,500          | \$103.00   |
| <b>ERD3H6.5M</b>    | 1/2" 20 UNF     | 3"     | Hex         | None                 | 6,500          | \$103.00   |
| <b>ERD3H7.5M</b>    | 1/2" 20 UNF     | 3"     | Hex         | None                 | 7,500          | \$103.00   |
| <b>ERD3H8.5M</b>    | 1/2" 20 UNF     | 3"     | Hex         | None                 | 8,500          | \$103.00   |
| <b>ERD3H9.5M</b>    | 1/2" 20 UNF     | 3"     | Hex         | None                 | 9,500          | \$103.00   |
| <b>ERD3H10.5M</b>   | 1/2" 20 UNF     | 3"     | Hex         | None                 | 10,500         | \$103.00   |
| <b>ERD3H12.5M</b>   | 1/2" 20 UNF     | 3"     | Hex         | None                 | 12,500         | \$103.00   |
| <b>ERD3H15M</b>     | 1/2" 20 UNF     | 3"     | Hex         | None                 | 15,000         | \$103.00   |
| <b>ERD3H1.5M14</b>  | 1/2" 20 UNF     | 3"     | Hex         | 1/4" NPT             | 1,500          | \$136.00   |
| <b>ERD3H2.5M14</b>  | 1/2" 20 UNF     | 3"     | Hex         | 1/4" NPT             | 2,500          | \$136.00   |
| <b>ERD3H3.5M14</b>  | 1/2" 20 UNF     | 3"     | Hex         | 1/4" NPT             | 3,500          | \$136.00   |
| <b>ERD3H4.5M14</b>  | 1/2" 20 UNF     | 3"     | Hex         | 1/4" NPT             | 4,500          | \$136.00   |
| <b>ERD3H5.5M14</b>  | 1/2" 20 UNF     | 3"     | Hex         | 1/4" NPT             | 5,500          | \$136.00   |
| <b>ERD3H6.5M14</b>  | 1/2" 20 UNF     | 3"     | Hex         | 1/4" NPT             | 6,500          | \$136.00   |
| <b>ERD3H7.5M14</b>  | 1/2" 20 UNF     | 3"     | Hex         | 1/4" NPT             | 7,500          | \$136.00   |
| <b>ERD3H8.5M14</b>  | 1/2" 20 UNF     | 3"     | Hex         | 1/4" NPT             | 8,500          | \$136.00   |
| <b>ERD3H9.5M14</b>  | 1/2" 20 UNF     | 3"     | Hex         | 1/4" NPT             | 9,500          | \$136.00   |
| <b>ERD3H10.5M14</b> | 1/2" 20 UNF     | 3"     | Hex         | 1/4" NPT             | 10,500         | \$136.00   |
| <b>ERD3H12.5M14</b> | 1/2" 20 UNF     | 3"     | Hex         | 1/4" NPT             | 12,500         | \$136.00   |
| <b>ERD3H15M14</b>   | 1/2" 20 UNF     | 3"     | Hex         | 1/4" NPT             | 15,000         | \$136.00   |

featuring the best of:

**195c**

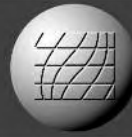
Northern Supply (800-365-6565) • Nickerson Machinery (800-821-9534) • OHS (Ontario-888-809-7050/Quebec-888-475-9224)

**B**

# GPMS Rupture Disks

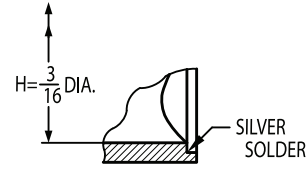
## 1/2" - 20 Mounting Thread

### 6" Length

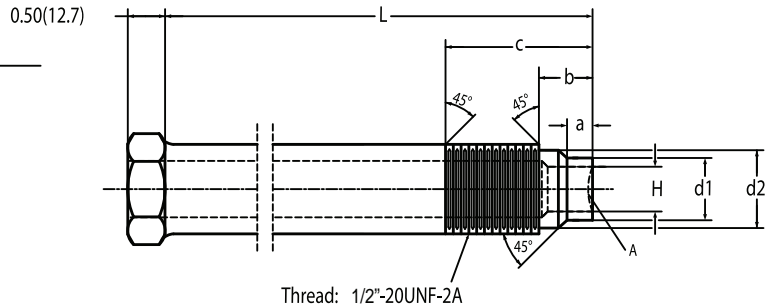
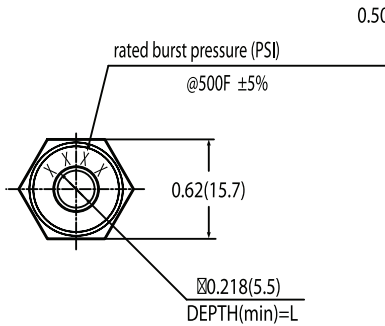


**GLOBAL  
PLASTIC  
MOULDING  
SUPPLIES**

|                            |                              |                                |             |
|----------------------------|------------------------------|--------------------------------|-------------|
| a                          | b                            | c                              | L           |
| 0.250(6.35)<br>0.234(5.94) | 0.50(12.7)                   | 1.81(45.97)                    | 6.00(152.4) |
| H                          | d1                           | d2                             |             |
| 3/16" (4.76)               | Ø0.310(7.87)<br>Ø0.305(7.75) | Ø0.420(10.67)<br>Ø0.410(10.41) |             |



DETAIL A



| Part Number         | Mounting Thread | Length | Head Styles | Discharge Connection | Burst Pressure | Price Each |
|---------------------|-----------------|--------|-------------|----------------------|----------------|------------|
| <b>ERD6H1.5M</b>    | 1/2" 20 UNF     | 6"     | Hex         | None                 | 1,500          | \$109.00   |
| <b>ERD6H2.5M</b>    | 1/2" 20 UNF     | 6"     | Hex         | None                 | 2,500          | \$109.00   |
| <b>ERD6H3.5M</b>    | 1/2" 20 UNF     | 6"     | Hex         | None                 | 3,500          | \$109.00   |
| <b>ERD6H4.5M</b>    | 1/2" 20 UNF     | 6"     | Hex         | None                 | 4,500          | \$109.00   |
| <b>ERD6H5.5M</b>    | 1/2" 20 UNF     | 6"     | Hex         | None                 | 5,500          | \$109.00   |
| <b>ERD6H6.5M</b>    | 1/2" 20 UNF     | 6"     | Hex         | None                 | 6,500          | \$109.00   |
| <b>ERD6H7.5M</b>    | 1/2" 20 UNF     | 6"     | Hex         | None                 | 7,500          | \$109.00   |
| <b>ERD6H8.5M</b>    | 1/2" 20 UNF     | 6"     | Hex         | None                 | 8,500          | \$109.00   |
| <b>ERD6H9.5M</b>    | 1/2" 20 UNF     | 6"     | Hex         | None                 | 9,500          | \$109.00   |
| <b>ERD6H10.5M</b>   | 1/2" 20 UNF     | 6"     | Hex         | None                 | 10,500         | \$109.00   |
| <b>ERD6H12.5M</b>   | 1/2" 20 UNF     | 6"     | Hex         | None                 | 12,500         | \$109.00   |
| <b>ERD6H15M</b>     | 1/2" 20 UNF     | 6"     | Hex         | None                 | 15,000         | \$109.00   |
| <b>ERD6H1.5M14</b>  | 1/2" 20 UNF     | 6"     | Hex         | 1/4" NPT             | 1,500          | \$142.00   |
| <b>ERD6H2.5M14</b>  | 1/2" 20 UNF     | 6"     | Hex         | 1/4" NPT             | 2,500          | \$142.00   |
| <b>ERD6H3.5M14</b>  | 1/2" 20 UNF     | 6"     | Hex         | 1/4" NPT             | 3,500          | \$142.00   |
| <b>ERD6H4.5M14</b>  | 1/2" 20 UNF     | 6"     | Hex         | 1/4" NPT             | 4,500          | \$142.00   |
| <b>ERD6H5.5M14</b>  | 1/2" 20 UNF     | 6"     | Hex         | 1/4" NPT             | 5,500          | \$142.00   |
| <b>ERD6H6.5M14</b>  | 1/2" 20 UNF     | 6"     | Hex         | 1/4" NPT             | 6,500          | \$142.00   |
| <b>ERD6H7.5M14</b>  | 1/2" 20 UNF     | 6"     | Hex         | 1/4" NPT             | 7,500          | \$142.00   |
| <b>ERD6H8.5M14</b>  | 1/2" 20 UNF     | 6"     | Hex         | 1/4" NPT             | 8,500          | \$142.00   |
| <b>ERD6H9.5M14</b>  | 1/2" 20 UNF     | 6"     | Hex         | 1/4" NPT             | 9,500          | \$142.00   |
| <b>ERD6H10.5M14</b> | 1/2" 20 UNF     | 6"     | Hex         | 1/4" NPT             | 10,500         | \$142.00   |
| <b>ERD6H12.5M14</b> | 1/2" 20 UNF     | 6"     | Hex         | 1/4" NPT             | 12,500         | \$142.00   |
| <b>ERD6H15M14</b>   | 1/2" 20 UNF     | 6"     | Hex         | 1/4" NPT             | 15,000         | \$142.00   |

# GPMS Rupture Disks

## 1/2" - 20 Mounting Thread

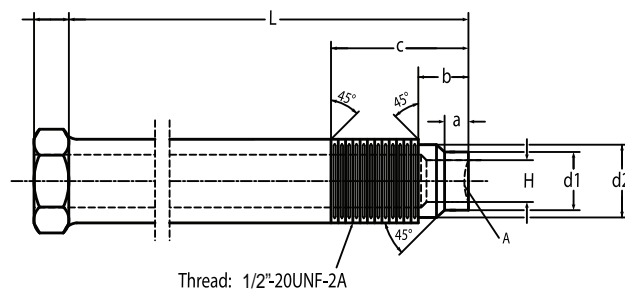
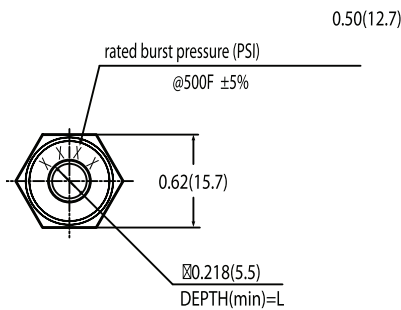
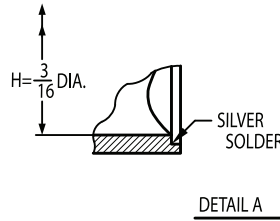


### 9" Length



| a                          | b          | c           | L          |
|----------------------------|------------|-------------|------------|
| 0.250(6.35)<br>0.234(5.94) | 0.50(12.7) | 1.81(45.97) | 9.0(228.6) |

| H            | d1                           | d2                             |
|--------------|------------------------------|--------------------------------|
| 3/16" (4.76) | Ø0.310(7.87)<br>Ø0.305(7.75) | Ø0.420(10.67)<br>Ø0.410(10.41) |



| Part Number         | Mounting Thread | Length | Head Styles | Discharge Connection | Burst Pressure | Price Each |
|---------------------|-----------------|--------|-------------|----------------------|----------------|------------|
| <b>ERD9H1.5M</b>    | 1/2" 20 UNF     | 9"     | Hex         | None                 | 1,500          | \$136.00   |
| <b>ERD9H2.5M</b>    | 1/2" 20 UNF     | 9"     | Hex         | None                 | 2,500          | \$136.00   |
| <b>ERD9H3.5M</b>    | 1/2" 20 UNF     | 9"     | Hex         | None                 | 3,500          | \$136.00   |
| <b>ERD9H4.5M</b>    | 1/2" 20 UNF     | 9"     | Hex         | None                 | 4,500          | \$136.00   |
| <b>ERD9H5.5M</b>    | 1/2" 20 UNF     | 9"     | Hex         | None                 | 5,500          | \$136.00   |
| <b>ERD9H6.5M</b>    | 1/2" 20 UNF     | 9"     | Hex         | None                 | 6,500          | \$136.00   |
| <b>ERD9H7.5M</b>    | 1/2" 20 UNF     | 9"     | Hex         | None                 | 7,500          | \$136.00   |
| <b>ERD9H8.5M</b>    | 1/2" 20 UNF     | 9"     | Hex         | None                 | 8,500          | \$136.00   |
| <b>ERD9H9.5M</b>    | 1/2" 20 UNF     | 9"     | Hex         | None                 | 9,500          | \$136.00   |
| <b>ERD9H10.5M</b>   | 1/2" 20 UNF     | 9"     | Hex         | None                 | 10,500         | \$136.00   |
| <b>ERD9H12.5M</b>   | 1/2" 20 UNF     | 9"     | Hex         | None                 | 12,500         | \$136.00   |
| <b>ERD9H15M</b>     | 1/2" 20 UNF     | 9"     | Hex         | None                 | 15,000         | \$136.00   |
| <b>ERD9H1.5M14</b>  | 1/2" 20 UNF     | 9"     | Hex         | 1/4" NPT             | 1,500          | \$169.00   |
| <b>ERD9H2.5M14</b>  | 1/2" 20 UNF     | 9"     | Hex         | 1/4" NPT             | 2,500          | \$169.00   |
| <b>ERD9H3.5M14</b>  | 1/2" 20 UNF     | 9"     | Hex         | 1/4" NPT             | 3,500          | \$169.00   |
| <b>ERD9H4.5M14</b>  | 1/2" 20 UNF     | 9"     | Hex         | 1/4" NPT             | 4,500          | \$169.00   |
| <b>ERD9H5.5M14</b>  | 1/2" 20 UNF     | 9"     | Hex         | 1/4" NPT             | 5,500          | \$169.00   |
| <b>ERD9H6.5M14</b>  | 1/2" 20 UNF     | 9"     | Hex         | 1/4" NPT             | 6,500          | \$169.00   |
| <b>ERD9H7.5M14</b>  | 1/2" 20 UNF     | 9"     | Hex         | 1/4" NPT             | 7,500          | \$169.00   |
| <b>ERD9H8.5M14</b>  | 1/2" 20 UNF     | 9"     | Hex         | 1/4" NPT             | 8,500          | \$169.00   |
| <b>ERD9H9.5M14</b>  | 1/2" 20 UNF     | 9"     | Hex         | 1/4" NPT             | 9,500          | \$169.00   |
| <b>ERD9H10.5M14</b> | 1/2" 20 UNF     | 9"     | Hex         | 1/4" NPT             | 10,500         | \$169.00   |
| <b>ERD9H12.5M14</b> | 1/2" 20 UNF     | 9"     | Hex         | 1/4" NPT             | 12,500         | \$169.00   |
| <b>ERD9H15M14</b>   | 1/2" 20 UNF     | 9"     | Hex         | 1/4" NPT             | 15,000         | \$169.00   |

featuring the best of:

**195e**

Northern Supply (800-365-6565) • Nickerson Machinery (800-821-9534) • OHS (Ontario-888-809-7050/Quebec-888-475-9224)

**B**

# GPMS Rupture Disks

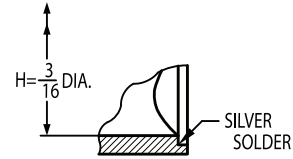
## 1/2" - 20 Mounting Thread

### 12" Length

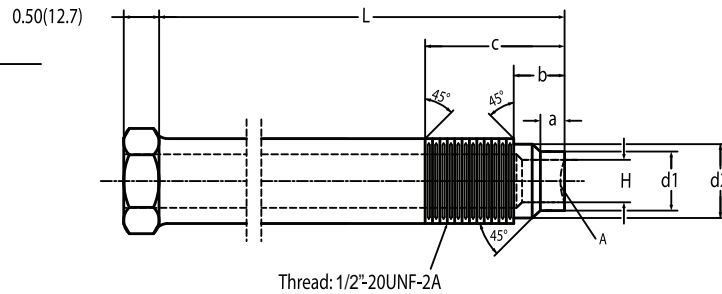
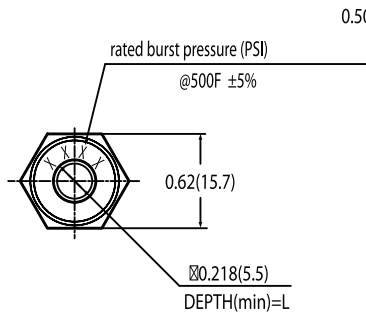


| a                          | b          | c           | L           |
|----------------------------|------------|-------------|-------------|
| 0.250(6.35)<br>0.234(5.94) | 0.50(12.7) | 1.81(45.97) | 12.0(304.8) |

| H            | d1                           | d2                             |
|--------------|------------------------------|--------------------------------|
| 3/16" (4.76) | Ø0.310(7.87)<br>Ø0.305(7.75) | Ø0.420(10.67)<br>Ø0.410(10.41) |



DETAIL A



| Part Number          | Mounting Thread | Length | Head Styles | Discharge Connection | Burst Pressure | Price Each |
|----------------------|-----------------|--------|-------------|----------------------|----------------|------------|
| <b>ERD12H1.5M</b>    | 1/2" 20 UNF     | 12"    | Hex         | None                 | 1,500          | \$169.00   |
| <b>ERD12H2.5M</b>    | 1/2" 20 UNF     | 12"    | Hex         | None                 | 2,500          | \$169.00   |
| <b>ERD12H3.5M</b>    | 1/2" 20 UNF     | 12"    | Hex         | None                 | 3,500          | \$169.00   |
| <b>ERD12H4.5M</b>    | 1/2" 20 UNF     | 12"    | Hex         | None                 | 4,500          | \$169.00   |
| <b>ERD12H5.5M</b>    | 1/2" 20 UNF     | 12"    | Hex         | None                 | 5,500          | \$169.00   |
| <b>ERD12H6.5M</b>    | 1/2" 20 UNF     | 12"    | Hex         | None                 | 6,500          | \$169.00   |
| <b>ERD12H7.5M</b>    | 1/2" 20 UNF     | 12"    | Hex         | None                 | 7,500          | \$169.00   |
| <b>ERD12H8.5M</b>    | 1/2" 20 UNF     | 12"    | Hex         | None                 | 8,500          | \$169.00   |
| <b>ERD12H9.5M</b>    | 1/2" 20 UNF     | 12"    | Hex         | None                 | 9,500          | \$169.00   |
| <b>ERD12H10.5M</b>   | 1/2" 20 UNF     | 12"    | Hex         | None                 | 10,500         | \$169.00   |
| <b>ERD12H12.5M</b>   | 1/2" 20 UNF     | 12"    | Hex         | None                 | 12,500         | \$169.00   |
| <b>ERD12H15M</b>     | 1/2" 20 UNF     | 12"    | Hex         | None                 | 15,000         | \$169.00   |
| <b>ERD12H1.5M14</b>  | 1/2" 20 UNF     | 12"    | Hex         | 1/4" NPT             | 1,500          | \$202.00   |
| <b>ERD12H2.5M14</b>  | 1/2" 20 UNF     | 12"    | Hex         | 1/4" NPT             | 2,500          | \$202.00   |
| <b>ERD12H3.5M14</b>  | 1/2" 20 UNF     | 12"    | Hex         | 1/4" NPT             | 3,500          | \$202.00   |
| <b>ERD12H4.5M14</b>  | 1/2" 20 UNF     | 12"    | Hex         | 1/4" NPT             | 4,500          | \$202.00   |
| <b>ERD12H5.5M14</b>  | 1/2" 20 UNF     | 12"    | Hex         | 1/4" NPT             | 5,500          | \$202.00   |
| <b>ERD12H6.5M14</b>  | 1/2" 20 UNF     | 12"    | Hex         | 1/4" NPT             | 6,500          | \$202.00   |
| <b>ERD12H7.5M14</b>  | 1/2" 20 UNF     | 12"    | Hex         | 1/4" NPT             | 7,500          | \$202.00   |
| <b>ERD12H8.5M14</b>  | 1/2" 20 UNF     | 12"    | Hex         | 1/4" NPT             | 8,500          | \$202.00   |
| <b>ERD12H9.5M14</b>  | 1/2" 20 UNF     | 12"    | Hex         | 1/4" NPT             | 9,500          | \$202.00   |
| <b>ERD12H10.5M14</b> | 1/2" 20 UNF     | 12"    | Hex         | 1/4" NPT             | 10,500         | \$202.00   |
| <b>ERD12H12.5M14</b> | 1/2" 20 UNF     | 12"    | Hex         | 1/4" NPT             | 12,500         | \$202.00   |
| <b>ERD12H15M14</b>   | 1/2" 20 UNF     | 12"    | Hex         | 1/4" NPT             | 15,000         | \$202.00   |

195f

featuring the best of:

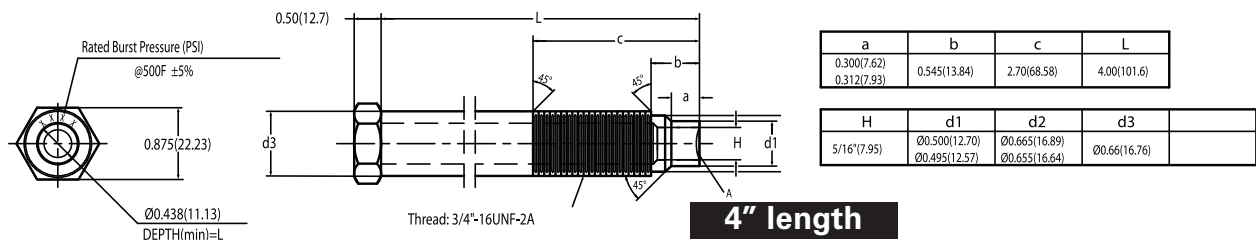
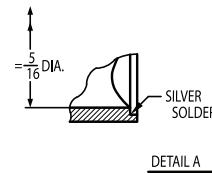
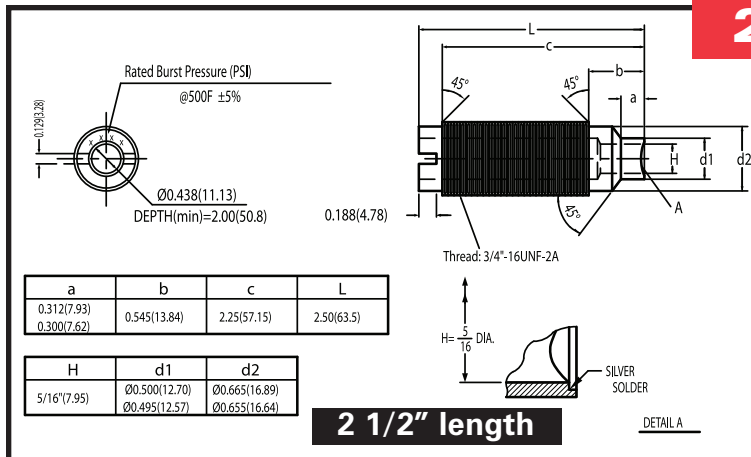
Northern Supply (800-365-6565) • Nickerson Machinery (800-821-9534) • OHS (Ontario-888-809-7050/Quebec-888-475-9224)

# GPMS Rupture Disks

## 3/4" - 16 Mounting Thread



### 2 1/2" & 4" Length



| Part Number           | Mounting Thread                     | Length | Head Styles | Discharge Connection | Burst Pressure | Price Each |
|-----------------------|-------------------------------------|--------|-------------|----------------------|----------------|------------|
| <b>ERD2-34-3.5M</b>   | 3/4" 16 UNF                         | 2-1/2" | Slotted     | None                 | 3,500          | \$151.00   |
| <b>ERD2-34-4.5M</b>   | 3/4" 16 UNF                         | 2-1/2" | Slotted     | None                 | 4,500          | \$151.00   |
| <b>ERD2-34-5M</b>     | 3/4" 16 UNF                         | 2-1/2" | Slotted     | None                 | 5,000          | \$151.00   |
| <b>ERD2-34-7.5M</b>   | 3/4" 16 UNF                         | 2-1/2" | Slotted     | None                 | 7,500          | \$151.00   |
| <b>ERD2-34-8.5M</b>   | 3/4" 16 UNF                         | 2-1/2" | Slotted     | None                 | 8,500          | \$151.00   |
| <b>ERD2-34-9M</b>     | 3/4" 16 UNF                         | 2-1/2" | Slotted     | None                 | 9,000          | \$151.00   |
| <b>ERD2-34-9.5M</b>   | 3/4" 16 UNF                         | 2-1/2" | Slotted     | None                 | 9,500          | \$151.00   |
| <b>ERD4H34-3.5M</b>   | 3/4" 16 UNF                         | 4"     | Hex         | None                 | 3,500          | \$213.00   |
| <b>ERD4H34-4.5M</b>   | 3/4" 16 UNF                         | 4"     | Hex         | None                 | 4,500          | \$213.00   |
| <b>ERD4H34-5M</b>     | 3/4" 16 UNF                         | 4"     | Hex         | None                 | 5,000          | \$213.00   |
| <b>ERD4H34-7.5M</b>   | 3/4" 16 UNF                         | 4"     | Hex         | None                 | 7,500          | \$213.00   |
| <b>ERD4H34-8.5M</b>   | 3/4" 16 UNF                         | 4"     | Hex         | None                 | 8,500          | \$213.00   |
| <b>ERD4H34-9M</b>     | 3/4" 16 UNF                         | 4"     | Hex         | None                 | 9,000          | \$213.00   |
| <b>ERD4H34-9.5M</b>   | 3/4" 16 UNF                         | 4"     | Hex         | None                 | 9,500          | \$213.00   |
| <b>ERD4H34-3.5M12</b> | 3/4" 16 UNF                         | 4"     | Hex         | 1/2" NPT             | 3,500          | \$264.00   |
| <b>ERD4H34-4.5M12</b> | 3/4" 16 UNF                         | 4"     | Hex         | 1/2" NPT             | 4,500          | \$264.00   |
| <b>ERD4H34-5M12</b>   | 3/4" 16 UNF                         | 4"     | Hex         | 1/2" NPT             | 5,000          | \$264.00   |
| <b>ERD4H34-7.5M12</b> | 3/4" 16 UNF                         | 4"     | Hex         | 1/2" NPT             | 7,500          | \$264.00   |
| <b>ERD4H34-8.5M12</b> | 3/4" 16 UNF                         | 4"     | Hex         | 1/2" NPT             | 8,500          | \$264.00   |
| <b>ERD4H34-9M12</b>   | 3/4" 16 UNF                         | 4"     | Hex         | 1/2" NPT             | 9,000          | \$264.00   |
| <b>ERD4H34-9.5M12</b> | 3/4" 16 UNF                         | 4"     | Hex         | 1/2" NPT             | 9,500          | \$264.00   |
| <b>ERD4H34S3.5M12</b> | <b>3/4" 16 UNF<br/>Short Thread</b> | 4"     | Hex         | 1/2" NPT             | 3,500          | \$264.00   |
| <b>ERD4H34S4.5M12</b> |                                     | 4"     | Hex         | 1/2" NPT             | 4,500          | \$264.00   |
| <b>ERD4H34S5M12</b>   |                                     | 4"     | Hex         | 1/2" NPT             | 5,000          | \$264.00   |
| <b>ERD4H34S7.5M12</b> |                                     | 4"     | Hex         | 1/2" NPT             | 7,500          | \$264.00   |
| <b>ERD4H34S8.5M12</b> |                                     | 4"     | Hex         | 1/2" NPT             | 8,500          | \$264.00   |
| <b>ERD4H34S9M12</b>   |                                     | 4"     | Hex         | 1/2" NPT             | 9,000          | \$264.00   |
| <b>ERD4H34S9.5M12</b> |                                     | 4"     | Hex         | 1/2" NPT             | 9,500          | \$264.00   |

featuring the best of:

**195g**

Northern Supply (800-365-6565) • Nickerson Machinery (800-821-9534) • OHS (Ontario-888-809-7050/Quebec-888-475-9224)

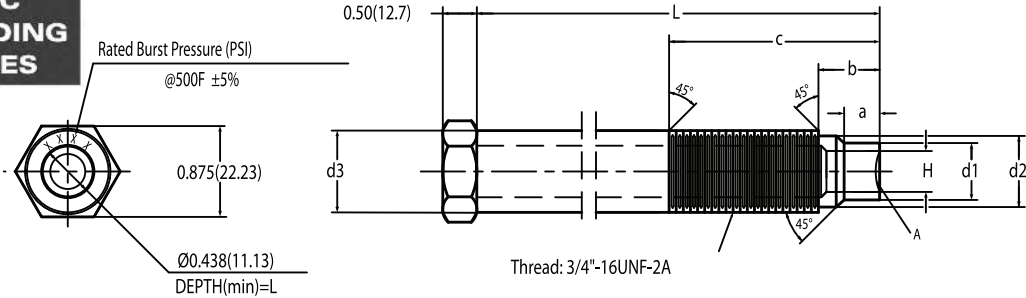
**B**

# GPMS Rupture Disks

## 3/4" - 16 Mounting Thread

### 6" & 7" Length

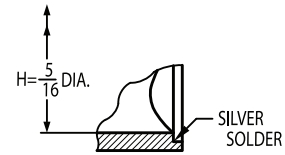
RD6H-xM-3/4  
Dimensional Drawing Inches(mm)



#### 6" length

| a                          | b            | c           | L           |
|----------------------------|--------------|-------------|-------------|
| 0.300(7.62)<br>0.312(7.93) | 0.545(13.84) | 2.70(68.58) | 6.00(152.4) |

| H           | d1                             | d2                             | d3           |
|-------------|--------------------------------|--------------------------------|--------------|
| 5/16"(7.95) | Ø0.500(12.70)<br>Ø0.495(12.57) | Ø0.665(16.89)<br>Ø0.655(16.64) | Ø0.66(16.76) |



DETAIL A

DATE: September/2007 V1.0

| Part Number           | Mounting Thread                    | Length | Head Styles | Discharge Connection | Burst Pressure | Price Each |
|-----------------------|------------------------------------|--------|-------------|----------------------|----------------|------------|
| <b>ERD6H34-3.5M</b>   | 3/4" 16 UNF                        | 6"     | Hex         | None                 | 3,500          | \$220.00   |
| <b>ERD6H34-4.5M</b>   | 3/4" 16 UNF                        | 6"     | Hex         | None                 | 4,500          | \$220.00   |
| <b>ERD6H34-5M</b>     | 3/4" 16 UNF                        | 6"     | Hex         | None                 | 5,000          | \$220.00   |
| <b>ERD6H34-7.5M</b>   | 3/4" 16 UNF                        | 6"     | Hex         | None                 | 7,500          | \$220.00   |
| <b>ERD6H34-8.5M</b>   | 3/4" 16 UNF                        | 6"     | Hex         | None                 | 8,500          | \$220.00   |
| <b>ERD6H34-9M</b>     | 3/4" 16 UNF                        | 6"     | Hex         | None                 | 9,000          | \$220.00   |
| <b>ERD6H34-9.5M</b>   | 3/4" 16 UNF                        | 6"     | Hex         | None                 | 9,500          | \$220.00   |
| <b>ERD7H34-3.5M12</b> | 3/4" 16 UNF                        | 7"     | Hex         | 1/2" NPT             | 3,500          | \$284.00   |
| <b>ERD7H34-4.5M12</b> | 3/4" 16 UNF                        | 7"     | Hex         | 1/2" NPT             | 4,500          | \$284.00   |
| <b>ERD7H34-5M12</b>   | 3/4" 16 UNF                        | 7"     | Hex         | 1/2" NPT             | 5,000          | \$284.00   |
| <b>ERD7H34-7.5M12</b> | 3/4" 16 UNF                        | 7"     | Hex         | 1/2" NPT             | 7,500          | \$284.00   |
| <b>ERD7H34-8.5M12</b> | 3/4" 16 UNF                        | 7"     | Hex         | 1/2" NPT             | 8,500          | \$284.00   |
| <b>ERD7H34-9M12</b>   | 3/4" 16 UNF                        | 7"     | Hex         | 1/2" NPT             | 9,000          | \$284.00   |
| <b>ERD7H34-9.5M12</b> | 3/4" 16 UNF                        | 7"     | Hex         | 1/2" NPT             | 9,500          | \$284.00   |
| <b>ERD7H34S3.5M12</b> | 3/4" 16 UNF<br><i>Short Thread</i> | 7"     | Hex         | 1/2" NPT             | 3,500          | \$284.00   |
| <b>ERD7H34S4.5M12</b> |                                    | 7"     | Hex         | 1/2" NPT             | 4,500          | \$284.00   |
| <b>ERD7H34S5M12</b>   |                                    | 7"     | Hex         | 1/2" NPT             | 5,000          | \$284.00   |
| <b>ERD7H34S7.5M12</b> |                                    | 7"     | Hex         | 1/2" NPT             | 7,500          | \$284.00   |
| <b>ERD7H34S8.5M12</b> |                                    | 7"     | Hex         | 1/2" NPT             | 8,500          | \$284.00   |
| <b>ERD7H34S9M12</b>   |                                    | 7"     | Hex         | 1/2" NPT             | 9,000          | \$284.00   |
| <b>ERD7H34S9.5M12</b> |                                    | 7"     | Hex         | 1/2" NPT             | 9,500          | \$284.00   |

195h

featuring the best of:

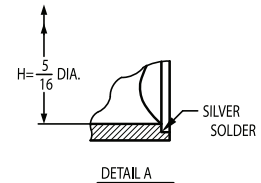
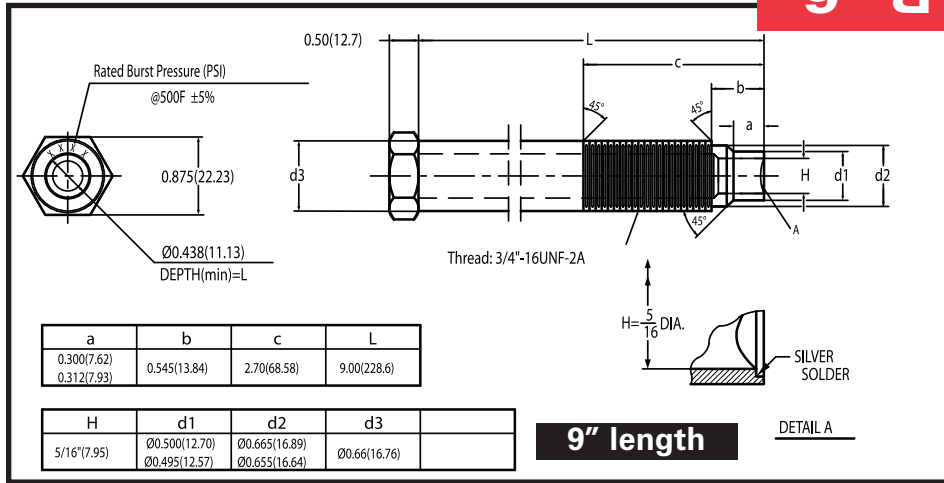
Northern Supply (800-365-6565) • Nickerson Machinery (800-821-9534) • OHS (Ontario-888-809-7050/Quebec-888-475-9224)

# GPMS Rupture Disks

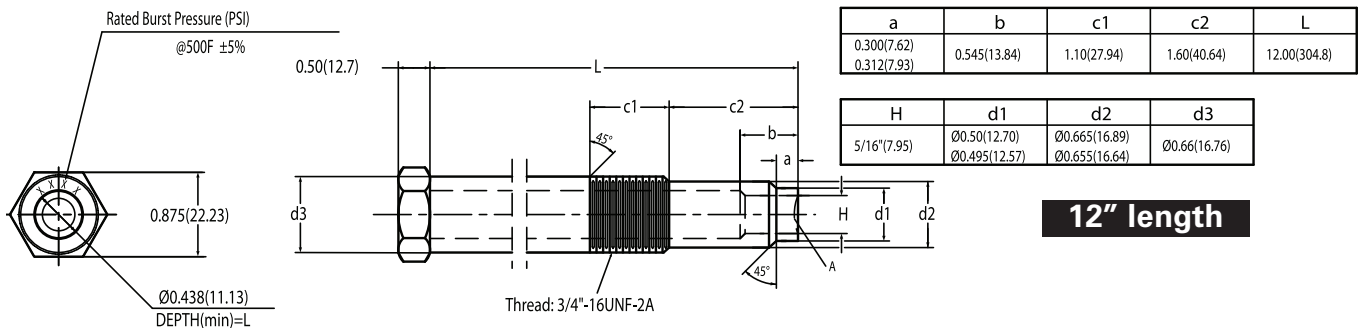
## 3/4" - 16 Mounting Thread



## 9" & 12" Length



**B**



| Part Number          | Mounting Thread                 | Length | Head Styles | Discharge Connection | Burst Pressure | Price Each |
|----------------------|---------------------------------|--------|-------------|----------------------|----------------|------------|
| <b>ERD9H34S3.5M</b>  | <b>3/4" 16 UNF Short Thread</b> | 9"     | Hex         | None                 | 3,500          | \$252.00   |
| <b>ERD9H34S4.5M</b>  |                                 | 9"     | Hex         | None                 | 4,500          | \$252.00   |
| <b>ERD9H34S5M</b>    |                                 | 9"     | Hex         | None                 | 5,000          | \$252.00   |
| <b>ERD9H34S7.5M</b>  |                                 | 9"     | Hex         | None                 | 7,500          | \$252.00   |
| <b>ERD9H34S8.5M</b>  |                                 | 9"     | Hex         | None                 | 8,500          | \$252.00   |
| <b>ERD9H34S9M</b>    |                                 | 9"     | Hex         | None                 | 9,000          | \$252.00   |
| <b>ERD9H34S9.5M</b>  |                                 | 9"     | Hex         | None                 | 9,500          | \$252.00   |
| <b>ERD12H34S3.5M</b> | <b>3/4" 16 UNF Short Thread</b> | 12"    | Hex         | None                 | 3,500          | \$289.00   |
| <b>ERD12H34S4.5M</b> |                                 | 12"    | Hex         | None                 | 4,500          | \$289.00   |
| <b>ERD12H34S5M</b>   |                                 | 12"    | Hex         | None                 | 5,000          | \$289.00   |
| <b>ERD12H34S7.5M</b> |                                 | 12"    | Hex         | None                 | 7,500          | \$289.00   |
| <b>ERD12H34S8.5M</b> |                                 | 12"    | Hex         | None                 | 8,500          | \$289.00   |
| <b>ERD12H34S9M</b>   |                                 | 12"    | Hex         | None                 | 9,000          | \$289.00   |
| <b>ERD12H34S9.5M</b> |                                 | 12"    | Hex         | None                 | 9,500          | \$289.00   |

featuring the best of:

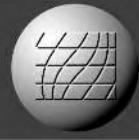
**195i**

Northern Supply (800-365-6565) • Nickerson Machinery (800-821-9534) • OHS (Ontario-888-809-7050/Quebec-888-475-9224)

# GPMS Rupture Disks

## 5/8" - 11 Mounting Thread

### 4" & 6" Length



**GLOBAL  
PLASTIC  
MOULDING  
SUPPLIES**

*\*Note: No 4" length drawing currently unavailable.  
See following page for 6" length drawing.*

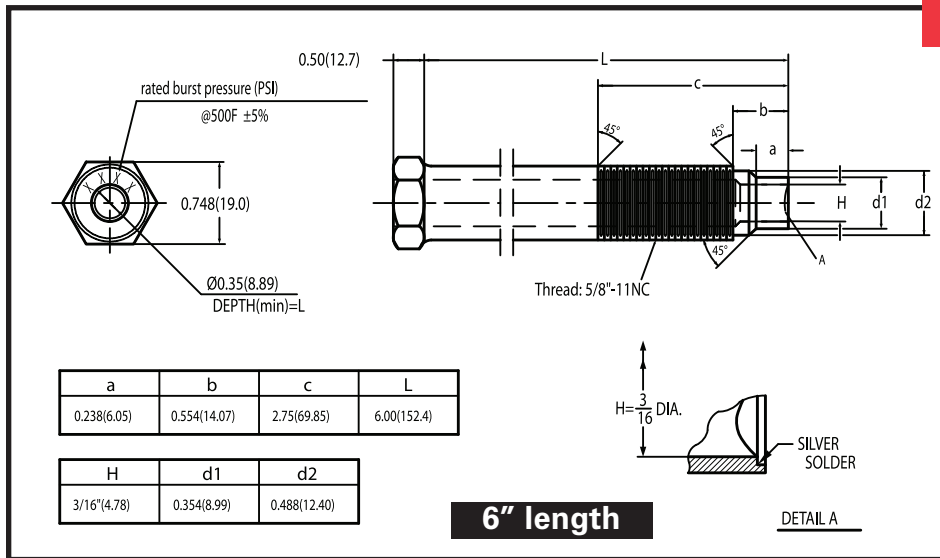
| Part Number            | Mounting Thread | Length | Head Styles | Discharge Connection | Burst Pressure | Price Each |
|------------------------|-----------------|--------|-------------|----------------------|----------------|------------|
| <b>ERD4H58-1.5M</b>    | 5/8" 11 NC      | 4"     | Hex         | None                 | 1,500          | \$164.00   |
| <b>ERD4H58-2.5M</b>    | 5/8" 11 NC      | 4"     | Hex         | None                 | 2,500          | \$164.00   |
| <b>ERD4H58-3.5M</b>    | 5/8" 11 NC      | 4"     | Hex         | None                 | 3,500          | \$164.00   |
| <b>ERD4H58-4.5M</b>    | 5/8" 11 NC      | 4"     | Hex         | None                 | 4,500          | \$164.00   |
| <b>ERD4H58-5.5M</b>    | 5/8" 11 NC      | 4"     | Hex         | None                 | 5,500          | \$164.00   |
| <b>ERD4H58-6.5M</b>    | 5/8" 11 NC      | 4"     | Hex         | None                 | 6,500          | \$164.00   |
| <b>ERD4H58-7.5M</b>    | 5/8" 11 NC      | 4"     | Hex         | None                 | 7,600          | \$164.00   |
| <b>ERD4H58-8.5M</b>    | 5/8" 11 NC      | 4"     | Hex         | None                 | 8,500          | \$164.00   |
| <b>ERD4H58-9.5M</b>    | 5/8" 11 NC      | 4"     | Hex         | None                 | 9,500          | \$164.00   |
| <b>ERD4H58-10.5M</b>   | 5/8" 11 NC      | 4"     | Hex         | None                 | 10,500         | \$164.00   |
| <b>ERD4H58-12.5M</b>   | 5/8" 11 NC      | 4"     | Hex         | None                 | 12,500         | \$164.00   |
| <b>ERD4H58-15M</b>     | 5/8" 11 NC      | 4"     | Hex         | None                 | 15,000         | \$164.00   |
| <b>ERD6H58-1.5M</b>    | 5/8" 11 NC      | 6"     | Hex         | None                 | 1,500          | \$169.00   |
| <b>ERD6H58-2.5M</b>    | 5/8" 11 NC      | 6"     | Hex         | None                 | 2,500          | \$169.00   |
| <b>ERD6H58-3.5M</b>    | 5/8" 11 NC      | 6"     | Hex         | None                 | 3,500          | \$169.00   |
| <b>ERD6H58-4.5M</b>    | 5/8" 11 NC      | 6"     | Hex         | None                 | 4,500          | \$169.00   |
| <b>ERD6H58-5.5M</b>    | 5/8" 11 NC      | 6"     | Hex         | None                 | 5,500          | \$169.00   |
| <b>ERD6H58-6.5M</b>    | 5/8" 11 NC      | 6"     | Hex         | None                 | 6,500          | \$169.00   |
| <b>ERD6H58-7.5M</b>    | 5/8" 11 NC      | 6"     | Hex         | None                 | 7,600          | \$169.00   |
| <b>ERD6H58-8.5M</b>    | 5/8" 11 NC      | 6"     | Hex         | None                 | 8,500          | \$169.00   |
| <b>ERD6H58-9.5M</b>    | 5/8" 11 NC      | 6"     | Hex         | None                 | 9,500          | \$169.00   |
| <b>ERD6H58-10.5M</b>   | 5/8" 11 NC      | 6"     | Hex         | None                 | 10,500         | \$169.00   |
| <b>ERD6H58-12.5M</b>   | 5/8" 11 NC      | 6"     | Hex         | None                 | 12,500         | \$169.00   |
| <b>ERD6H58-15M</b>     | 5/8" 11 NC      | 6"     | Hex         | None                 | 15,000         | \$169.00   |
| <b>ERD6H58-1.5M14</b>  | 5/8" 11 NC      | 6"     | Hex         | 1/4" NPT             | 1,500          | \$202.00   |
| <b>ERD6H58-2.5M14</b>  | 5/8" 11 NC      | 6"     | Hex         | 1/4" NPT             | 2,500          | \$202.00   |
| <b>ERD6H58-3.5M14</b>  | 5/8" 11 NC      | 6"     | Hex         | 1/4" NPT             | 3,500          | \$202.00   |
| <b>ERD6H58-4.5M14</b>  | 5/8" 11 NC      | 6"     | Hex         | 1/4" NPT             | 4,500          | \$202.00   |
| <b>ERD6H58-5.5M14</b>  | 5/8" 11 NC      | 6"     | Hex         | 1/4" NPT             | 5,500          | \$202.00   |
| <b>ERD6H58-6.5M14</b>  | 5/8" 11 NC      | 6"     | Hex         | 1/4" NPT             | 6,500          | \$202.00   |
| <b>ERD6H58-7.5M14</b>  | 5/8" 11 NC      | 6"     | Hex         | 1/4" NPT             | 7,600          | \$202.00   |
| <b>ERD6H58-8.5M14</b>  | 5/8" 11 NC      | 6"     | Hex         | 1/4" NPT             | 8,500          | \$202.00   |
| <b>ERD6H58-9.5M14</b>  | 5/8" 11 NC      | 6"     | Hex         | 1/4" NPT             | 9,500          | \$202.00   |
| <b>ERD6H58-10.5M14</b> | 5/8" 11 NC      | 6"     | Hex         | 1/4" NPT             | 10,500         | \$202.00   |
| <b>ERD6H58-12.5M14</b> | 5/8" 11 NC      | 6"     | Hex         | 1/4" NPT             | 12,500         | \$202.00   |
| <b>ERD6H58-15M14</b>   | 5/8" 11 NC      | 6"     | Hex         | 1/4" NPT             | 15,000         | \$202.00   |

# GPMS Rupture Disks

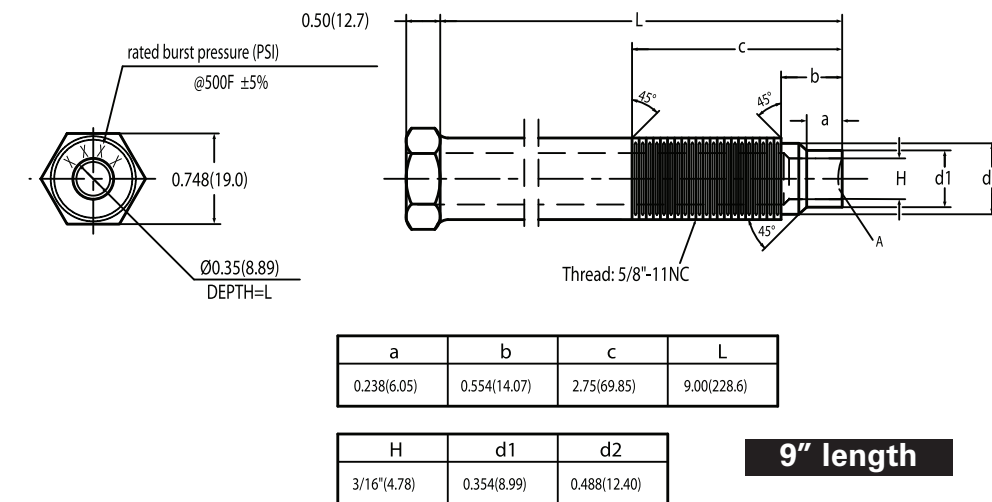
## 5/8" - 11 Mounting Thread



### 9" Length



**B**



| Part Number          | Mounting Thread | Length | Head Styles | Discharge Connection | Burst Pressure | Price Each |
|----------------------|-----------------|--------|-------------|----------------------|----------------|------------|
| <b>ERD9H58-1.5M</b>  | 5/8" 11 NC      | 9"     | Hex         | None                 | 1,500          | \$197.00   |
| <b>ERD9H58-2.5M</b>  | 5/8" 11 NC      | 9"     | Hex         | None                 | 2,500          | \$197.00   |
| <b>ERD9H58-3.5M</b>  | 5/8" 11 NC      | 9"     | Hex         | None                 | 3,500          | \$197.00   |
| <b>ERD9H58-4.5M</b>  | 5/8" 11 NC      | 9"     | Hex         | None                 | 4,500          | \$197.00   |
| <b>ERD9H58-5.5M</b>  | 5/8" 11 NC      | 9"     | Hex         | None                 | 5,500          | \$197.00   |
| <b>ERD9H58-6.5M</b>  | 5/8" 11 NC      | 9"     | Hex         | None                 | 6,500          | \$197.00   |
| <b>ERD9H58-7.5M</b>  | 5/8" 11 NC      | 9"     | Hex         | None                 | 7,600          | \$197.00   |
| <b>ERD9H58-8.5M</b>  | 5/8" 11 NC      | 9"     | Hex         | None                 | 8,500          | \$197.00   |
| <b>ERD9H58-9.5M</b>  | 5/8" 11 NC      | 9"     | Hex         | None                 | 9,500          | \$197.00   |
| <b>ERD9H58-10.5M</b> | 5/8" 11 NC      | 9"     | Hex         | None                 | 10,500         | \$197.00   |
| <b>ERD9H58-12.5M</b> | 5/8" 11 NC      | 9"     | Hex         | None                 | 12,500         | \$197.00   |
| <b>ERD9H58-15M</b>   | 5/8" 11 NC      | 9"     | Hex         | None                 | 15,000         | \$197.00   |

featuring the best of:

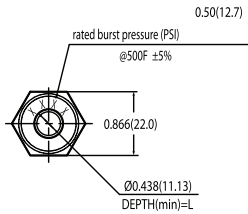
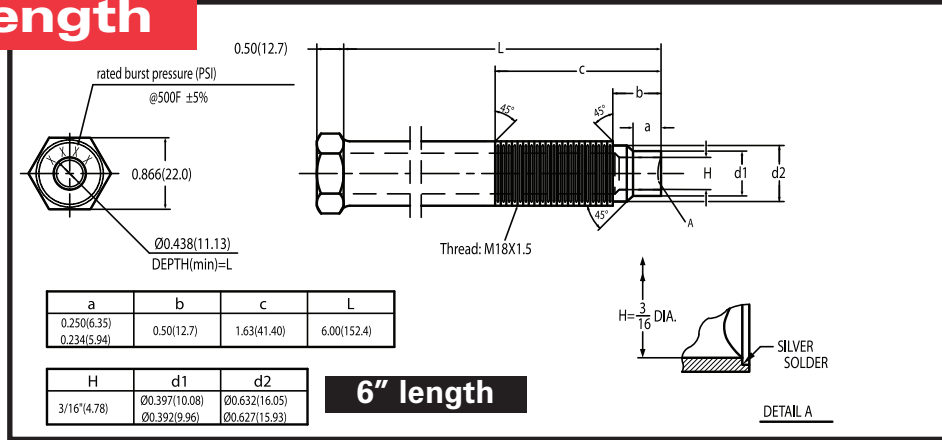
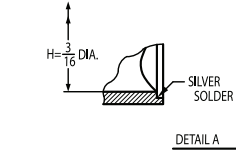
**195k**

Northern Supply (800-365-6565) • Nickerson Machinery (800-821-9534) • OHS (Ontario-888-809-7050/Quebec-888-475-9224)

# GPMS Rupture Disks

## M18 x 1.5 Mounting Thread

### 6" & 12" Length



| Part Number            | Mounting Thread | Length | Head Styles | Discharge Connection | Burst Pressure | Price Each |
|------------------------|-----------------|--------|-------------|----------------------|----------------|------------|
| <b>ERD6HM18-1.5M</b>   | M18 x 1.5       | 6"     | Hex         | None                 | 1,500          | \$191.00   |
| <b>ERD6HM18-2.5M</b>   | M18 x 1.5       | 6"     | Hex         | None                 | 2,500          | \$191.00   |
| <b>ERD6HM18-3.5M</b>   | M18 x 1.5       | 6"     | Hex         | None                 | 3,500          | \$191.00   |
| <b>ERD6HM18-4.5M</b>   | M18 x 1.5       | 6"     | Hex         | None                 | 4,500          | \$191.00   |
| <b>ERD6HM18-5.5M</b>   | M18 x 1.5       | 6"     | Hex         | None                 | 5,500          | \$191.00   |
| <b>ERD6HM18-6.5M</b>   | M18 x 1.5       | 6"     | Hex         | None                 | 6,500          | \$191.00   |
| <b>ERD6HM18-7.5M</b>   | M18 x 1.5       | 6"     | Hex         | None                 | 7,600          | \$191.00   |
| <b>ERD6HM18-8.5M</b>   | M18 x 1.5       | 6"     | Hex         | None                 | 8,500          | \$191.00   |
| <b>ERD6HM18-9.5M</b>   | M18 x 1.5       | 6"     | Hex         | None                 | 9,500          | \$191.00   |
| <b>ERD6HM18-10.5M</b>  | M18 x 1.5       | 6"     | Hex         | None                 | 10,500         | \$191.00   |
| <b>ERD6HM18-12.5M</b>  | M18 x 1.5       | 6"     | Hex         | None                 | 12,500         | \$191.00   |
| <b>ERD6HM18-15M</b>    | M18 x 1.5       | 6"     | Hex         | None                 | 15,000         | \$191.00   |
| <b>ERD12HM18-1.5M</b>  | M18 x 1.5       | 12"    | Hex         | None                 | 1,500          | \$252.00   |
| <b>ERD12HM18-2.5M</b>  | M18 x 1.5       | 12"    | Hex         | None                 | 2,500          | \$252.00   |
| <b>ERD12HM18-3.5M</b>  | M18 x 1.5       | 12"    | Hex         | None                 | 3,500          | \$252.00   |
| <b>ERD12HM18-4.5M</b>  | M18 x 1.5       | 12"    | Hex         | None                 | 4,500          | \$252.00   |
| <b>ERD12HM18-5.5M</b>  | M18 x 1.5       | 12"    | Hex         | None                 | 5,500          | \$252.00   |
| <b>ERD12HM18-6.5M</b>  | M18 x 1.5       | 12"    | Hex         | None                 | 6,500          | \$252.00   |
| <b>ERD12HM18-7.5M</b>  | M18 x 1.5       | 12"    | Hex         | None                 | 7,600          | \$252.00   |
| <b>ERD12HM18-8.5M</b>  | M18 x 1.5       | 12"    | Hex         | None                 | 8,500          | \$252.00   |
| <b>ERD12HM18-9.5M</b>  | M18 x 1.5       | 12"    | Hex         | None                 | 9,500          | \$252.00   |
| <b>ERD12HM18-10.5M</b> | M18 x 1.5       | 12"    | Hex         | None                 | 10,500         | \$252.00   |
| <b>ERD12HM18-12.5M</b> | M18 x 1.5       | 12"    | Hex         | None                 | 12,500         | \$252.00   |
| <b>ERD12HM18-15M</b>   | M18 x 1.5       | 12"    | Hex         | None                 | 15,000         | \$252.00   |