

GPMS Rupture Disks



DME Molding Supplies Line of GPMS Extruder Rupture Disks (Burst Plugs) are primarily used on Plastics Extrusion Machinery to provide emergency pressure relief. Extruder Rupture Disks from DME Molding Supplies are designed to instantaneously rupture at a pre-determined pressure. Extruder Rupture Disks are leak tight and intrinsically safe devices that require no maintenance.



The GPMS Line of Extruder Rupture Disk assemblies are manufactured from 304 SS and incorporate either an Inconel or Stainless Steel Disk which minimize the affects of varying processing temperatures. The ERD Series of Extruder Rupture Disks from DME Molding Supplies are offered in a wide variety of lengths and configurations. Standard stock assemblies are available in burst pressures ranging from 1,500 up to 15,000 psi, and lengths from 1.82" up to 12".

Several different mounting threads are offered on the GPMS Line of ERD Series Extruder Rupture Disks that are commonly found on plastics extrusion machinery.



featuring the best of:

Northern Supply (800-365-6565) • Nickerson Machinery (800-821-9534) • OHS (Ontario-888-809-7050/Quebec-888-475-9224)

195a

B

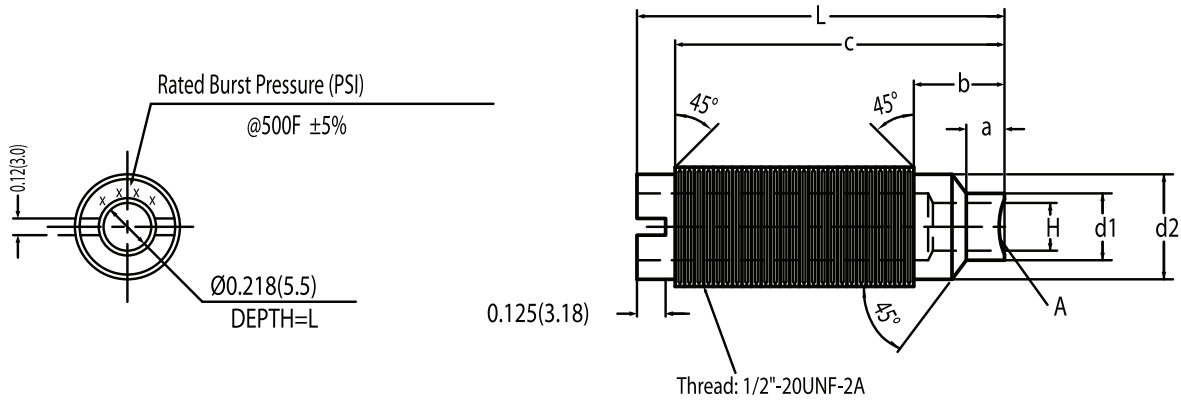
GPMS Rupture Disks

1/2" - 20 Mounting Thread

1.8" Length



**GLOBAL
PLASTIC
MOULDING
SUPPLIES**



| a | b | c | L |
|-------------|------------|-------------|------------|
| 0.250(6.35) | 0.50(12.7) | 1.63(41.40) | 1.82(46.2) |
| 0.234(5.94) | | | |

| H | d1 | d2 |
|--------------|--------------|---------------|
| 3/16" (4.76) | Ø0.310(7.87) | Ø0.420(10.67) |
| | Ø0.305(7.75) | Ø0.410(10.41) |

| Part Number | Mounting Thread | Length | Head Styles | Discharge Connection | Burst Pressure | Price Each |
|-------------------|-----------------|--------|-------------|----------------------|----------------|------------|
| ERD2-1.5M | 1/2" 20 UNF | 1.82" | Slotted | None | 1,500 | \$48.00 |
| ERD2-2.5M | 1/2" 20 UNF | 1.82" | Slotted | None | 2,500 | \$48.00 |
| ERD2-3.5M | 1/2" 20 UNF | 1.82" | Slotted | None | 3,500 | \$48.00 |
| ERD2-4.5M | 1/2" 20 UNF | 1.82" | Slotted | None | 4,500 | \$48.00 |
| ERD2-5.5M | 1/2" 20 UNF | 1.82" | Slotted | None | 5,500 | \$48.00 |
| ERD2-6.5M | 1/2" 20 UNF | 1.82" | Slotted | None | 6,500 | \$48.00 |
| ERD2-7.5M | 1/2" 20 UNF | 1.82" | Slotted | None | 7,500 | \$48.00 |
| ERD2-8.5M | 1/2" 20 UNF | 1.82" | Slotted | None | 8,500 | \$48.00 |
| ERD2-9.5M | 1/2" 20 UNF | 1.82" | Slotted | None | 9,500 | \$48.00 |
| ERD2-10.5M | 1/2" 20 UNF | 1.82" | Slotted | None | 10,500 | \$48.00 |
| ERD2-12.5M | 1/2" 20 UNF | 1.82" | Slotted | None | 12,500 | \$48.00 |
| ERD2-15M | 1/2" 20 UNF | 1.82" | Slotted | None | 15,000 | \$48.00 |

195b

featuring the best of:

Northern Supply (800-365-6565) • Nickerson Machinery (800-821-9534) • OHS (Ontario-888-809-7050/Quebec-888-475-9224)

GPMS Rupture Disks

1/2" - 20 Mounting Thread

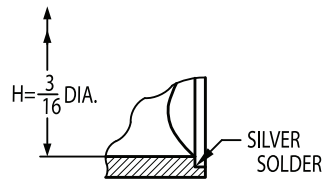


3" Length

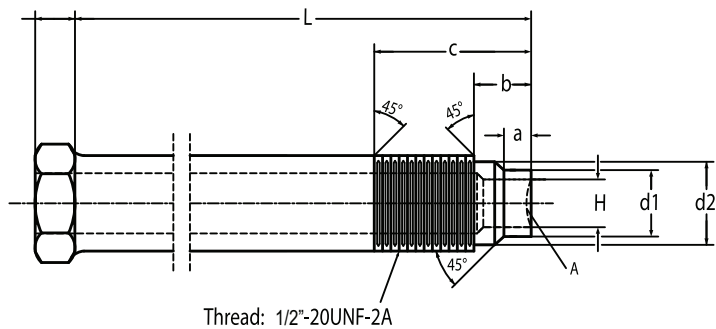
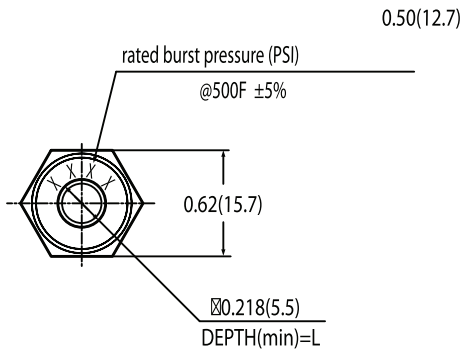


| a | b | c | L |
|----------------------------|------------|-------------|------------|
| 0.250(6.35) 0.234(5.94) | 0.50(12.7) | 1.81(45.97) | 3.00(76.2) |

| H | d1 | d2 |
|--------------|------------------------------|--------------------------------|
| 3/16" (4.76) | Ø0.310(7.87) Ø0.305(7.75) | Ø0.420(10.67) Ø0.410(10.41) |



DETAIL A



Thread: 1/2"-20UNF-2A

| Part Number | Mounting Thread | Length | Head Styles | Discharge Connection | Burst Pressure | Price Each |
|---------------------|-----------------|--------|-------------|----------------------|----------------|------------|
| ERD3H1.5M | 1/2" 20 UNF | 3" | Hex | None | 1,500 | \$103.00 |
| ERD3H2.5M | 1/2" 20 UNF | 3" | Hex | None | 2,500 | \$103.00 |
| ERD3H3.5M | 1/2" 20 UNF | 3" | Hex | None | 3,500 | \$103.00 |
| ERD3H4.5M | 1/2" 20 UNF | 3" | Hex | None | 4,500 | \$103.00 |
| ERD3H5.5M | 1/2" 20 UNF | 3" | Hex | None | 5,500 | \$103.00 |
| ERD3H6.5M | 1/2" 20 UNF | 3" | Hex | None | 6,500 | \$103.00 |
| ERD3H7.5M | 1/2" 20 UNF | 3" | Hex | None | 7,500 | \$103.00 |
| ERD3H8.5M | 1/2" 20 UNF | 3" | Hex | None | 8,500 | \$103.00 |
| ERD3H9.5M | 1/2" 20 UNF | 3" | Hex | None | 9,500 | \$103.00 |
| ERD3H10.5M | 1/2" 20 UNF | 3" | Hex | None | 10,500 | \$103.00 |
| ERD3H12.5M | 1/2" 20 UNF | 3" | Hex | None | 12,500 | \$103.00 |
| ERD3H15M | 1/2" 20 UNF | 3" | Hex | None | 15,000 | \$103.00 |
| ERD3H1.5M14 | 1/2" 20 UNF | 3" | Hex | 1/4" NPT | 1,500 | \$136.00 |
| ERD3H2.5M14 | 1/2" 20 UNF | 3" | Hex | 1/4" NPT | 2,500 | \$136.00 |
| ERD3H3.5M14 | 1/2" 20 UNF | 3" | Hex | 1/4" NPT | 3,500 | \$136.00 |
| ERD3H4.5M14 | 1/2" 20 UNF | 3" | Hex | 1/4" NPT | 4,500 | \$136.00 |
| ERD3H5.5M14 | 1/2" 20 UNF | 3" | Hex | 1/4" NPT | 5,500 | \$136.00 |
| ERD3H6.5M14 | 1/2" 20 UNF | 3" | Hex | 1/4" NPT | 6,500 | \$136.00 |
| ERD3H7.5M14 | 1/2" 20 UNF | 3" | Hex | 1/4" NPT | 7,500 | \$136.00 |
| ERD3H8.5M14 | 1/2" 20 UNF | 3" | Hex | 1/4" NPT | 8,500 | \$136.00 |
| ERD3H9.5M14 | 1/2" 20 UNF | 3" | Hex | 1/4" NPT | 9,500 | \$136.00 |
| ERD3H10.5M14 | 1/2" 20 UNF | 3" | Hex | 1/4" NPT | 10,500 | \$136.00 |
| ERD3H12.5M14 | 1/2" 20 UNF | 3" | Hex | 1/4" NPT | 12,500 | \$136.00 |
| ERD3H15M14 | 1/2" 20 UNF | 3" | Hex | 1/4" NPT | 15,000 | \$136.00 |

featuring the best of:

195c

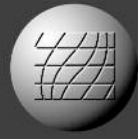
Northern Supply (800-365-6565) • Nickerson Machinery (800-821-9534) • OHS (Ontario-888-809-7050/Quebec-888-475-9224)

B

GPMS Rupture Disks

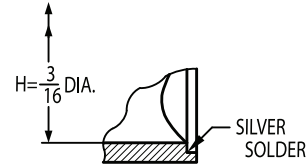
1/2" - 20 Mounting Thread

6" Length

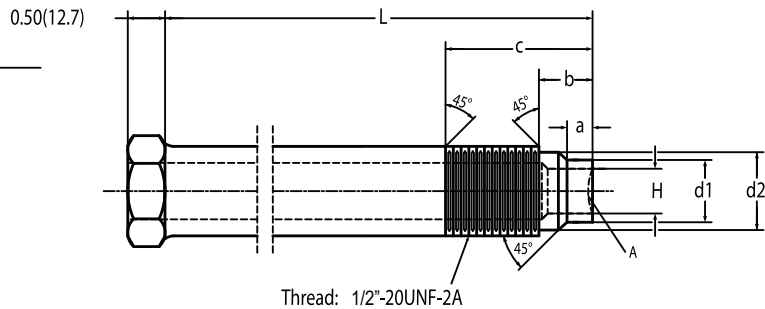
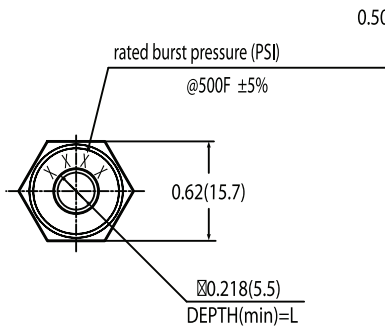


**GLOBAL
PLASTIC
MOULDING
SUPPLIES**

| | | | |
|----------------------------|------------------------------|--------------------------------|-------------|
| a | b | c | L |
| 0.250(6.35) 0.234(5.94) | 0.50(12.7) | 1.81(45.97) | 6.00(152.4) |
| H | d1 | d2 | |
| 3/16" (4.76) | Ø0.310(7.87) Ø0.305(7.75) | Ø0.420(10.67) Ø0.410(10.41) | |



DETAIL A



| Part Number | Mounting Thread | Length | Head Styles | Discharge Connection | Burst Pressure | Price Each |
|---------------------|-----------------|--------|-------------|----------------------|----------------|------------|
| ERD6H1.5M | 1/2" 20 UNF | 6" | Hex | None | 1,500 | \$109.00 |
| ERD6H2.5M | 1/2" 20 UNF | 6" | Hex | None | 2,500 | \$109.00 |
| ERD6H3.5M | 1/2" 20 UNF | 6" | Hex | None | 3,500 | \$109.00 |
| ERD6H4.5M | 1/2" 20 UNF | 6" | Hex | None | 4,500 | \$109.00 |
| ERD6H5.5M | 1/2" 20 UNF | 6" | Hex | None | 5,500 | \$109.00 |
| ERD6H6.5M | 1/2" 20 UNF | 6" | Hex | None | 6,500 | \$109.00 |
| ERD6H7.5M | 1/2" 20 UNF | 6" | Hex | None | 7,500 | \$109.00 |
| ERD6H8.5M | 1/2" 20 UNF | 6" | Hex | None | 8,500 | \$109.00 |
| ERD6H9.5M | 1/2" 20 UNF | 6" | Hex | None | 9,500 | \$109.00 |
| ERD6H10.5M | 1/2" 20 UNF | 6" | Hex | None | 10,500 | \$109.00 |
| ERD6H12.5M | 1/2" 20 UNF | 6" | Hex | None | 12,500 | \$109.00 |
| ERD6H15M | 1/2" 20 UNF | 6" | Hex | None | 15,000 | \$109.00 |
| ERD6H1.5M14 | 1/2" 20 UNF | 6" | Hex | 1/4" NPT | 1,500 | \$142.00 |
| ERD6H2.5M14 | 1/2" 20 UNF | 6" | Hex | 1/4" NPT | 2,500 | \$142.00 |
| ERD6H3.5M14 | 1/2" 20 UNF | 6" | Hex | 1/4" NPT | 3,500 | \$142.00 |
| ERD6H4.5M14 | 1/2" 20 UNF | 6" | Hex | 1/4" NPT | 4,500 | \$142.00 |
| ERD6H5.5M14 | 1/2" 20 UNF | 6" | Hex | 1/4" NPT | 5,500 | \$142.00 |
| ERD6H6.5M14 | 1/2" 20 UNF | 6" | Hex | 1/4" NPT | 6,500 | \$142.00 |
| ERD6H7.5M14 | 1/2" 20 UNF | 6" | Hex | 1/4" NPT | 7,500 | \$142.00 |
| ERD6H8.5M14 | 1/2" 20 UNF | 6" | Hex | 1/4" NPT | 8,500 | \$142.00 |
| ERD6H9.5M14 | 1/2" 20 UNF | 6" | Hex | 1/4" NPT | 9,500 | \$142.00 |
| ERD6H10.5M14 | 1/2" 20 UNF | 6" | Hex | 1/4" NPT | 10,500 | \$142.00 |
| ERD6H12.5M14 | 1/2" 20 UNF | 6" | Hex | 1/4" NPT | 12,500 | \$142.00 |
| ERD6H15M14 | 1/2" 20 UNF | 6" | Hex | 1/4" NPT | 15,000 | \$142.00 |

GPMS Rupture Disks

1/2" - 20 Mounting Thread

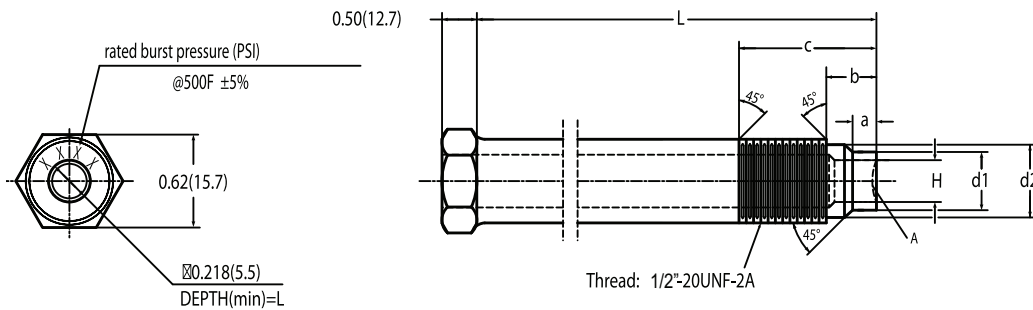
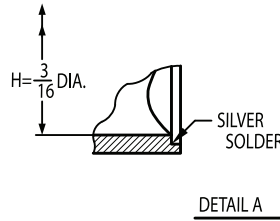


9" Length



| a | b | c | L |
|----------------------------|------------|-------------|------------|
| 0.250(6.35) 0.234(5.94) | 0.50(12.7) | 1.81(45.97) | 9.0(228.6) |

| H | d1 | d2 |
|--------------|------------------------------|--------------------------------|
| 3/16" (4.76) | Ø0.310(7.87) Ø0.305(7.75) | Ø0.420(10.67) Ø0.410(10.41) |



| Part Number | Mounting Thread | Length | Head Styles | Discharge Connection | Burst Pressure | Price Each |
|---------------------|-----------------|--------|-------------|----------------------|----------------|------------|
| ERD9H1.5M | 1/2" 20 UNF | 9" | Hex | None | 1,500 | \$136.00 |
| ERD9H2.5M | 1/2" 20 UNF | 9" | Hex | None | 2,500 | \$136.00 |
| ERD9H3.5M | 1/2" 20 UNF | 9" | Hex | None | 3,500 | \$136.00 |
| ERD9H4.5M | 1/2" 20 UNF | 9" | Hex | None | 4,500 | \$136.00 |
| ERD9H5.5M | 1/2" 20 UNF | 9" | Hex | None | 5,500 | \$136.00 |
| ERD9H6.5M | 1/2" 20 UNF | 9" | Hex | None | 6,500 | \$136.00 |
| ERD9H7.5M | 1/2" 20 UNF | 9" | Hex | None | 7,500 | \$136.00 |
| ERD9H8.5M | 1/2" 20 UNF | 9" | Hex | None | 8,500 | \$136.00 |
| ERD9H9.5M | 1/2" 20 UNF | 9" | Hex | None | 9,500 | \$136.00 |
| ERD9H10.5M | 1/2" 20 UNF | 9" | Hex | None | 10,500 | \$136.00 |
| ERD9H12.5M | 1/2" 20 UNF | 9" | Hex | None | 12,500 | \$136.00 |
| ERD9H15M | 1/2" 20 UNF | 9" | Hex | None | 15,000 | \$136.00 |
| ERD9H1.5M14 | 1/2" 20 UNF | 9" | Hex | 1/4" NPT | 1,500 | \$169.00 |
| ERD9H2.5M14 | 1/2" 20 UNF | 9" | Hex | 1/4" NPT | 2,500 | \$169.00 |
| ERD9H3.5M14 | 1/2" 20 UNF | 9" | Hex | 1/4" NPT | 3,500 | \$169.00 |
| ERD9H4.5M14 | 1/2" 20 UNF | 9" | Hex | 1/4" NPT | 4,500 | \$169.00 |
| ERD9H5.5M14 | 1/2" 20 UNF | 9" | Hex | 1/4" NPT | 5,500 | \$169.00 |
| ERD9H6.5M14 | 1/2" 20 UNF | 9" | Hex | 1/4" NPT | 6,500 | \$169.00 |
| ERD9H7.5M14 | 1/2" 20 UNF | 9" | Hex | 1/4" NPT | 7,500 | \$169.00 |
| ERD9H8.5M14 | 1/2" 20 UNF | 9" | Hex | 1/4" NPT | 8,500 | \$169.00 |
| ERD9H9.5M14 | 1/2" 20 UNF | 9" | Hex | 1/4" NPT | 9,500 | \$169.00 |
| ERD9H10.5M14 | 1/2" 20 UNF | 9" | Hex | 1/4" NPT | 10,500 | \$169.00 |
| ERD9H12.5M14 | 1/2" 20 UNF | 9" | Hex | 1/4" NPT | 12,500 | \$169.00 |
| ERD9H15M14 | 1/2" 20 UNF | 9" | Hex | 1/4" NPT | 15,000 | \$169.00 |

featuring the best of:

195e

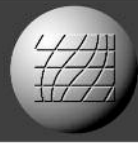
Northern Supply (800-365-6565) • Nickerson Machinery (800-821-9534) • OHS (Ontario-888-809-7050/Quebec-888-475-9224)

B

GPMS Rupture Disks

1/2" - 20 Mounting Thread

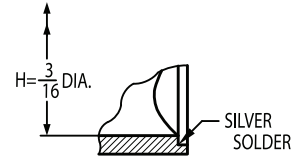
12" Length



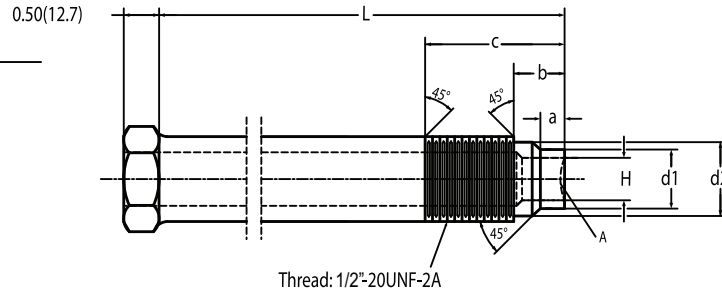
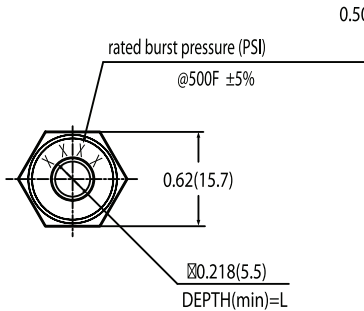
**GLOBAL
PLASTIC
MOULDING
SUPPLIES**

| a | b | c | L |
|----------------------------|------------|-------------|-------------|
| 0.250(6.35) 0.234(5.94) | 0.50(12.7) | 1.81(45.97) | 12.0(304.8) |

| H | d1 | d2 |
|--------------|------------------------------|--------------------------------|
| 3/16" (4.76) | Ø0.310(7.87) Ø0.305(7.75) | Ø0.420(10.67) Ø0.410(10.41) |



DETAIL A



| Part Number | Mounting Thread | Length | Head Styles | Discharge Connection | Burst Pressure | Price Each |
|----------------------|-----------------|--------|-------------|----------------------|----------------|------------|
| ERD12H1.5M | 1/2" 20 UNF | 12" | Hex | None | 1,500 | \$169.00 |
| ERD12H2.5M | 1/2" 20 UNF | 12" | Hex | None | 2,500 | \$169.00 |
| ERD12H3.5M | 1/2" 20 UNF | 12" | Hex | None | 3,500 | \$169.00 |
| ERD12H4.5M | 1/2" 20 UNF | 12" | Hex | None | 4,500 | \$169.00 |
| ERD12H5.5M | 1/2" 20 UNF | 12" | Hex | None | 5,500 | \$169.00 |
| ERD12H6.5M | 1/2" 20 UNF | 12" | Hex | None | 6,500 | \$169.00 |
| ERD12H7.5M | 1/2" 20 UNF | 12" | Hex | None | 7,500 | \$169.00 |
| ERD12H8.5M | 1/2" 20 UNF | 12" | Hex | None | 8,500 | \$169.00 |
| ERD12H9.5M | 1/2" 20 UNF | 12" | Hex | None | 9,500 | \$169.00 |
| ERD12H10.5M | 1/2" 20 UNF | 12" | Hex | None | 10,500 | \$169.00 |
| ERD12H12.5M | 1/2" 20 UNF | 12" | Hex | None | 12,500 | \$169.00 |
| ERD12H15M | 1/2" 20 UNF | 12" | Hex | None | 15,000 | \$169.00 |
| ERD12H1.5M14 | 1/2" 20 UNF | 12" | Hex | 1/4" NPT | 1,500 | \$202.00 |
| ERD12H2.5M14 | 1/2" 20 UNF | 12" | Hex | 1/4" NPT | 2,500 | \$202.00 |
| ERD12H3.5M14 | 1/2" 20 UNF | 12" | Hex | 1/4" NPT | 3,500 | \$202.00 |
| ERD12H4.5M14 | 1/2" 20 UNF | 12" | Hex | 1/4" NPT | 4,500 | \$202.00 |
| ERD12H5.5M14 | 1/2" 20 UNF | 12" | Hex | 1/4" NPT | 5,500 | \$202.00 |
| ERD12H6.5M14 | 1/2" 20 UNF | 12" | Hex | 1/4" NPT | 6,500 | \$202.00 |
| ERD12H7.5M14 | 1/2" 20 UNF | 12" | Hex | 1/4" NPT | 7,500 | \$202.00 |
| ERD12H8.5M14 | 1/2" 20 UNF | 12" | Hex | 1/4" NPT | 8,500 | \$202.00 |
| ERD12H9.5M14 | 1/2" 20 UNF | 12" | Hex | 1/4" NPT | 9,500 | \$202.00 |
| ERD12H10.5M14 | 1/2" 20 UNF | 12" | Hex | 1/4" NPT | 10,500 | \$202.00 |
| ERD12H12.5M14 | 1/2" 20 UNF | 12" | Hex | 1/4" NPT | 12,500 | \$202.00 |
| ERD12H15M14 | 1/2" 20 UNF | 12" | Hex | 1/4" NPT | 15,000 | \$202.00 |

195f

featuring the best of:

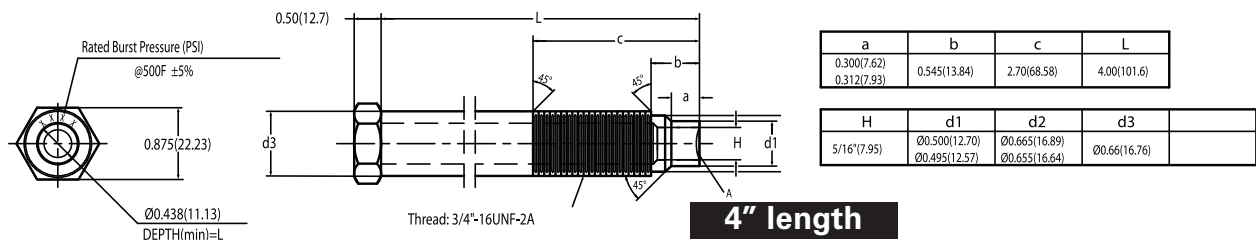
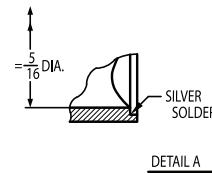
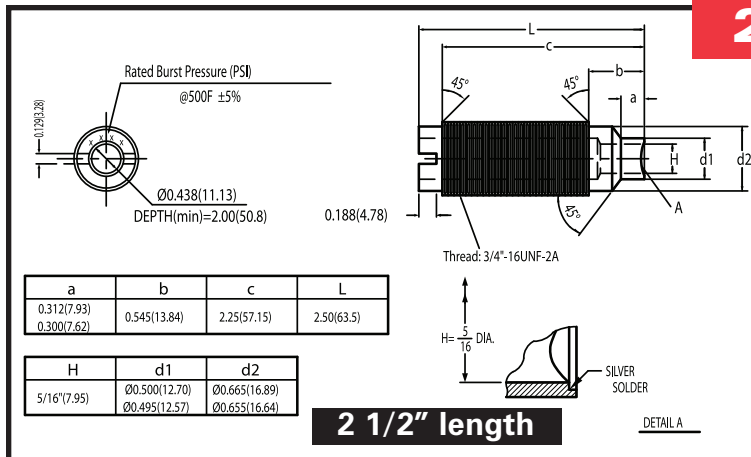
Northern Supply (800-365-6565) • Nickerson Machinery (800-821-9534) • OHS (Ontario-888-809-7050/Quebec-888-475-9224)

GPMS Rupture Disks

3/4" - 16 Mounting Thread



2 1/2" & 4" Length



| Part Number | Mounting Thread | Length | Head Styles | Discharge Connection | Burst Pressure | Price Each |
|-----------------------|-------------------------------------|--------|-------------|----------------------|----------------|------------|
| ERD2-34-3.5M | 3/4" 16 UNF | 2-1/2" | Slotted | None | 3,500 | \$151.00 |
| ERD2-34-4.5M | 3/4" 16 UNF | 2-1/2" | Slotted | None | 4,500 | \$151.00 |
| ERD2-34-5M | 3/4" 16 UNF | 2-1/2" | Slotted | None | 5,000 | \$151.00 |
| ERD2-34-7.5M | 3/4" 16 UNF | 2-1/2" | Slotted | None | 7,500 | \$151.00 |
| ERD2-34-8.5M | 3/4" 16 UNF | 2-1/2" | Slotted | None | 8,500 | \$151.00 |
| ERD2-34-9M | 3/4" 16 UNF | 2-1/2" | Slotted | None | 9,000 | \$151.00 |
| ERD2-34-9.5M | 3/4" 16 UNF | 2-1/2" | Slotted | None | 9,500 | \$151.00 |
| ERD4H34-3.5M | 3/4" 16 UNF | 4" | Hex | None | 3,500 | \$213.00 |
| ERD4H34-4.5M | 3/4" 16 UNF | 4" | Hex | None | 4,500 | \$213.00 |
| ERD4H34-5M | 3/4" 16 UNF | 4" | Hex | None | 5,000 | \$213.00 |
| ERD4H34-7.5M | 3/4" 16 UNF | 4" | Hex | None | 7,500 | \$213.00 |
| ERD4H34-8.5M | 3/4" 16 UNF | 4" | Hex | None | 8,500 | \$213.00 |
| ERD4H34-9M | 3/4" 16 UNF | 4" | Hex | None | 9,000 | \$213.00 |
| ERD4H34-9.5M | 3/4" 16 UNF | 4" | Hex | None | 9,500 | \$213.00 |
| ERD4H34-3.5M12 | 3/4" 16 UNF | 4" | Hex | 1/2" NPT | 3,500 | \$264.00 |
| ERD4H34-4.5M12 | 3/4" 16 UNF | 4" | Hex | 1/2" NPT | 4,500 | \$264.00 |
| ERD4H34-5M12 | 3/4" 16 UNF | 4" | Hex | 1/2" NPT | 5,000 | \$264.00 |
| ERD4H34-7.5M12 | 3/4" 16 UNF | 4" | Hex | 1/2" NPT | 7,500 | \$264.00 |
| ERD4H34-8.5M12 | 3/4" 16 UNF | 4" | Hex | 1/2" NPT | 8,500 | \$264.00 |
| ERD4H34-9M12 | 3/4" 16 UNF | 4" | Hex | 1/2" NPT | 9,000 | \$264.00 |
| ERD4H34-9.5M12 | 3/4" 16 UNF | 4" | Hex | 1/2" NPT | 9,500 | \$264.00 |
| ERD4H34S3.5M12 | 3/4" 16 UNF Short Thread | 4" | Hex | 1/2" NPT | 3,500 | \$264.00 |
| ERD4H34S4.5M12 | | 4" | Hex | 1/2" NPT | 4,500 | \$264.00 |
| ERD4H34S5M12 | | 4" | Hex | 1/2" NPT | 5,000 | \$264.00 |
| ERD4H34S7.5M12 | | 4" | Hex | 1/2" NPT | 7,500 | \$264.00 |
| ERD4H34S8.5M12 | | 4" | Hex | 1/2" NPT | 8,500 | \$264.00 |
| ERD4H34S9M12 | | 4" | Hex | 1/2" NPT | 9,000 | \$264.00 |
| ERD4H34S9.5M12 | | 4" | Hex | 1/2" NPT | 9,500 | \$264.00 |

featuring the best of:

195g

Northern Supply (800-365-6565) • Nickerson Machinery (800-821-9534) • OHS (Ontario-888-809-7050/Quebec-888-475-9224)

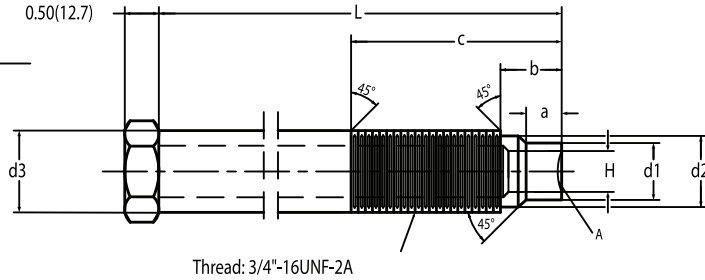
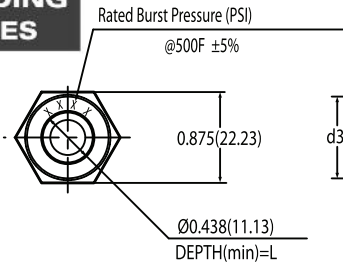
B

GPMS Rupture Disks

3/4" - 16 Mounting Thread

6" & 7" Length

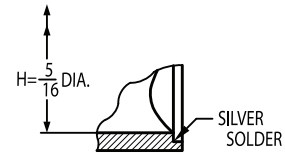
RD6H-xM-3/4
Dimensional Drawing Inches(mm)



6" length

| a | b | c | L |
|----------------------------|--------------|-------------|-------------|
| 0.300(7.62) 0.312(7.93) | 0.545(13.84) | 2.70(68.58) | 6.00(152.4) |

| H | d1 | d2 | d3 |
|-------------|--------------------------------|--------------------------------|--------------|
| 5/16"(7.95) | Ø0.500(12.70) Ø0.495(12.57) | Ø0.665(16.89) Ø0.655(16.64) | Ø0.66(16.76) |



DETAIL A

DATE: September/2007 V1.0

| Part Number | Mounting Thread | Length | Head Styles | Discharge Connection | Burst Pressure | Price Each |
|-----------------------|------------------------------------|--------|-------------|----------------------|----------------|------------|
| ERD6H34-3.5M | 3/4" 16 UNF | 6" | Hex | None | 3,500 | \$220.00 |
| ERD6H34-4.5M | 3/4" 16 UNF | 6" | Hex | None | 4,500 | \$220.00 |
| ERD6H34-5M | 3/4" 16 UNF | 6" | Hex | None | 5,000 | \$220.00 |
| ERD6H34-7.5M | 3/4" 16 UNF | 6" | Hex | None | 7,500 | \$220.00 |
| ERD6H34-8.5M | 3/4" 16 UNF | 6" | Hex | None | 8,500 | \$220.00 |
| ERD6H34-9M | 3/4" 16 UNF | 6" | Hex | None | 9,000 | \$220.00 |
| ERD6H34-9.5M | 3/4" 16 UNF | 6" | Hex | None | 9,500 | \$220.00 |
| ERD7H34-3.5M12 | 3/4" 16 UNF | 7" | Hex | 1/2" NPT | 3,500 | \$284.00 |
| ERD7H34-4.5M12 | 3/4" 16 UNF | 7" | Hex | 1/2" NPT | 4,500 | \$284.00 |
| ERD7H34-5M12 | 3/4" 16 UNF | 7" | Hex | 1/2" NPT | 5,000 | \$284.00 |
| ERD7H34-7.5M12 | 3/4" 16 UNF | 7" | Hex | 1/2" NPT | 7,500 | \$284.00 |
| ERD7H34-8.5M12 | 3/4" 16 UNF | 7" | Hex | 1/2" NPT | 8,500 | \$284.00 |
| ERD7H34-9M12 | 3/4" 16 UNF | 7" | Hex | 1/2" NPT | 9,000 | \$284.00 |
| ERD7H34-9.5M12 | 3/4" 16 UNF | 7" | Hex | 1/2" NPT | 9,500 | \$284.00 |
| ERD7H34S3.5M12 | 3/4" 16 UNF <i>Short Thread</i> | 7" | Hex | 1/2" NPT | 3,500 | \$284.00 |
| ERD7H34S4.5M12 | | 7" | Hex | 1/2" NPT | 4,500 | \$284.00 |
| ERD7H34S5M12 | | 7" | Hex | 1/2" NPT | 5,000 | \$284.00 |
| ERD7H34S7.5M12 | | 7" | Hex | 1/2" NPT | 7,500 | \$284.00 |
| ERD7H34S8.5M12 | | 7" | Hex | 1/2" NPT | 8,500 | \$284.00 |
| ERD7H34S9M12 | | 7" | Hex | 1/2" NPT | 9,000 | \$284.00 |
| ERD7H34S9.5M12 | | 7" | Hex | 1/2" NPT | 9,500 | \$284.00 |

195h

featuring the best of:

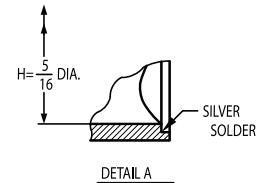
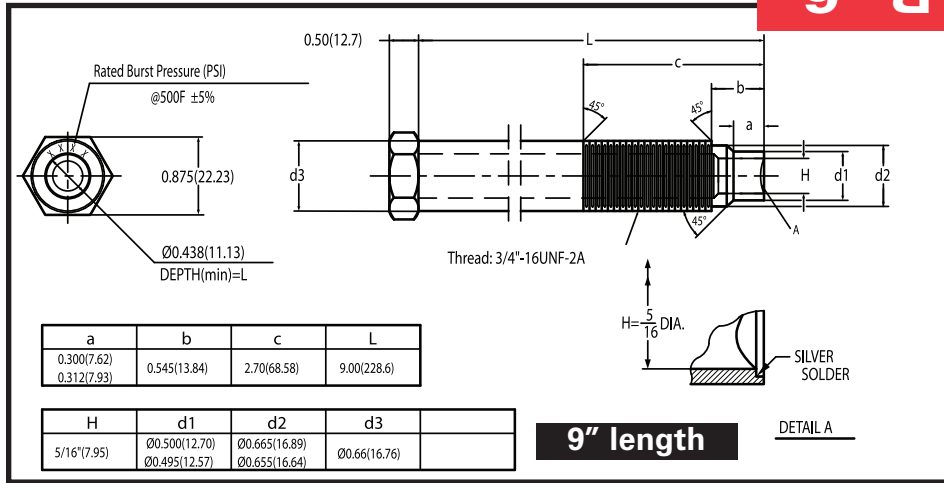
Northern Supply (800-365-6565) • Nickerson Machinery (800-821-9534) • OHS (Ontario-888-809-7050/Quebec-888-475-9224)

GPMS Rupture Disks

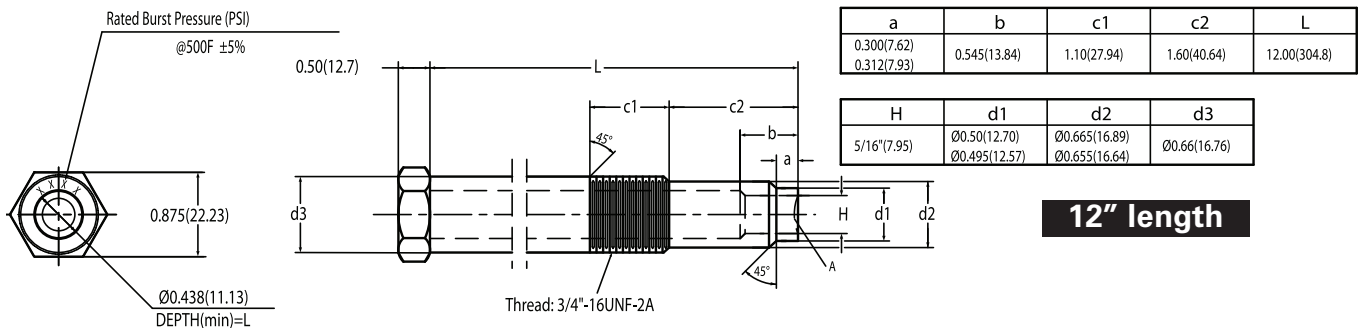
3/4" - 16 Mounting Thread



9" & 12" Length



B



| Part Number | Mounting Thread | Length | Head Styles | Discharge Connection | Burst Pressure | Price Each |
|----------------------|---------------------------------|--------|-------------|----------------------|----------------|------------|
| ERD9H34S3.5M | 3/4" 16 UNF Short Thread | 9" | Hex | None | 3,500 | \$252.00 |
| ERD9H34S4.5M | | 9" | Hex | None | 4,500 | \$252.00 |
| ERD9H34S5M | | 9" | Hex | None | 5,000 | \$252.00 |
| ERD9H34S7.5M | | 9" | Hex | None | 7,500 | \$252.00 |
| ERD9H34S8.5M | | 9" | Hex | None | 8,500 | \$252.00 |
| ERD9H34S9M | | 9" | Hex | None | 9,000 | \$252.00 |
| ERD9H34S9.5M | | 9" | Hex | None | 9,500 | \$252.00 |
| ERD12H34S3.5M | 3/4" 16 UNF Short Thread | 12" | Hex | None | 3,500 | \$289.00 |
| ERD12H34S4.5M | | 12" | Hex | None | 4,500 | \$289.00 |
| ERD12H34S5M | | 12" | Hex | None | 5,000 | \$289.00 |
| ERD12H34S7.5M | | 12" | Hex | None | 7,500 | \$289.00 |
| ERD12H34S8.5M | | 12" | Hex | None | 8,500 | \$289.00 |
| ERD12H34S9M | | 12" | Hex | None | 9,000 | \$289.00 |
| ERD12H34S9.5M | | 12" | Hex | None | 9,500 | \$289.00 |

featuring the best of:

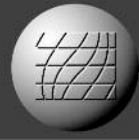
195i

Northern Supply (800-365-6565) • Nickerson Machinery (800-821-9534) • OHS (Ontario-888-809-7050/Quebec-888-475-9224)

GPMS Rupture Disks

5/8" - 11 Mounting Thread

4" & 6" Length



**GLOBAL
PLASTIC
MOULDING
SUPPLIES**

**Note: No 4" length drawing currently unavailable.
See following page for 6" length drawing.*

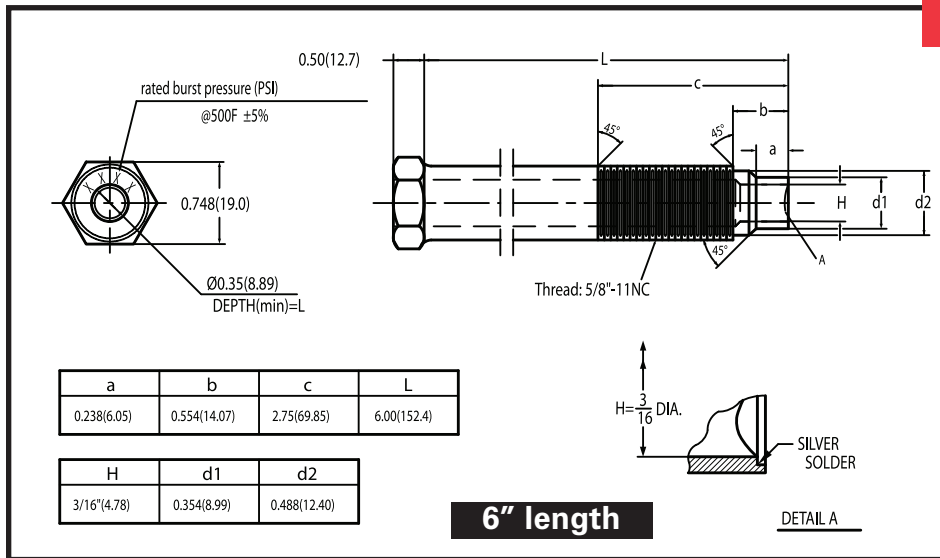
| Part Number | Mounting Thread | Length | Head Styles | Discharge Connection | Burst Pressure | Price Each |
|------------------------|-----------------|--------|-------------|----------------------|----------------|------------|
| ERD4H58-1.5M | 5/8" 11 NC | 4" | Hex | None | 1,500 | \$164.00 |
| ERD4H58-2.5M | 5/8" 11 NC | 4" | Hex | None | 2,500 | \$164.00 |
| ERD4H58-3.5M | 5/8" 11 NC | 4" | Hex | None | 3,500 | \$164.00 |
| ERD4H58-4.5M | 5/8" 11 NC | 4" | Hex | None | 4,500 | \$164.00 |
| ERD4H58-5.5M | 5/8" 11 NC | 4" | Hex | None | 5,500 | \$164.00 |
| ERD4H58-6.5M | 5/8" 11 NC | 4" | Hex | None | 6,500 | \$164.00 |
| ERD4H58-7.5M | 5/8" 11 NC | 4" | Hex | None | 7,600 | \$164.00 |
| ERD4H58-8.5M | 5/8" 11 NC | 4" | Hex | None | 8,500 | \$164.00 |
| ERD4H58-9.5M | 5/8" 11 NC | 4" | Hex | None | 9,500 | \$164.00 |
| ERD4H58-10.5M | 5/8" 11 NC | 4" | Hex | None | 10,500 | \$164.00 |
| ERD4H58-12.5M | 5/8" 11 NC | 4" | Hex | None | 12,500 | \$164.00 |
| ERD4H58-15M | 5/8" 11 NC | 4" | Hex | None | 15,000 | \$164.00 |
| ERD6H58-1.5M | 5/8" 11 NC | 6" | Hex | None | 1,500 | \$169.00 |
| ERD6H58-2.5M | 5/8" 11 NC | 6" | Hex | None | 2,500 | \$169.00 |
| ERD6H58-3.5M | 5/8" 11 NC | 6" | Hex | None | 3,500 | \$169.00 |
| ERD6H58-4.5M | 5/8" 11 NC | 6" | Hex | None | 4,500 | \$169.00 |
| ERD6H58-5.5M | 5/8" 11 NC | 6" | Hex | None | 5,500 | \$169.00 |
| ERD6H58-6.5M | 5/8" 11 NC | 6" | Hex | None | 6,500 | \$169.00 |
| ERD6H58-7.5M | 5/8" 11 NC | 6" | Hex | None | 7,600 | \$169.00 |
| ERD6H58-8.5M | 5/8" 11 NC | 6" | Hex | None | 8,500 | \$169.00 |
| ERD6H58-9.5M | 5/8" 11 NC | 6" | Hex | None | 9,500 | \$169.00 |
| ERD6H58-10.5M | 5/8" 11 NC | 6" | Hex | None | 10,500 | \$169.00 |
| ERD6H58-12.5M | 5/8" 11 NC | 6" | Hex | None | 12,500 | \$169.00 |
| ERD6H58-15M | 5/8" 11 NC | 6" | Hex | None | 15,000 | \$169.00 |
| ERD6H58-1.5M14 | 5/8" 11 NC | 6" | Hex | 1/4" NPT | 1,500 | \$202.00 |
| ERD6H58-2.5M14 | 5/8" 11 NC | 6" | Hex | 1/4" NPT | 2,500 | \$202.00 |
| ERD6H58-3.5M14 | 5/8" 11 NC | 6" | Hex | 1/4" NPT | 3,500 | \$202.00 |
| ERD6H58-4.5M14 | 5/8" 11 NC | 6" | Hex | 1/4" NPT | 4,500 | \$202.00 |
| ERD6H58-5.5M14 | 5/8" 11 NC | 6" | Hex | 1/4" NPT | 5,500 | \$202.00 |
| ERD6H58-6.5M14 | 5/8" 11 NC | 6" | Hex | 1/4" NPT | 6,500 | \$202.00 |
| ERD6H58-7.5M14 | 5/8" 11 NC | 6" | Hex | 1/4" NPT | 7,600 | \$202.00 |
| ERD6H58-8.5M14 | 5/8" 11 NC | 6" | Hex | 1/4" NPT | 8,500 | \$202.00 |
| ERD6H58-9.5M14 | 5/8" 11 NC | 6" | Hex | 1/4" NPT | 9,500 | \$202.00 |
| ERD6H58-10.5M14 | 5/8" 11 NC | 6" | Hex | 1/4" NPT | 10,500 | \$202.00 |
| ERD6H58-12.5M14 | 5/8" 11 NC | 6" | Hex | 1/4" NPT | 12,500 | \$202.00 |
| ERD6H58-15M14 | 5/8" 11 NC | 6" | Hex | 1/4" NPT | 15,000 | \$202.00 |

GPMS Rupture Disks

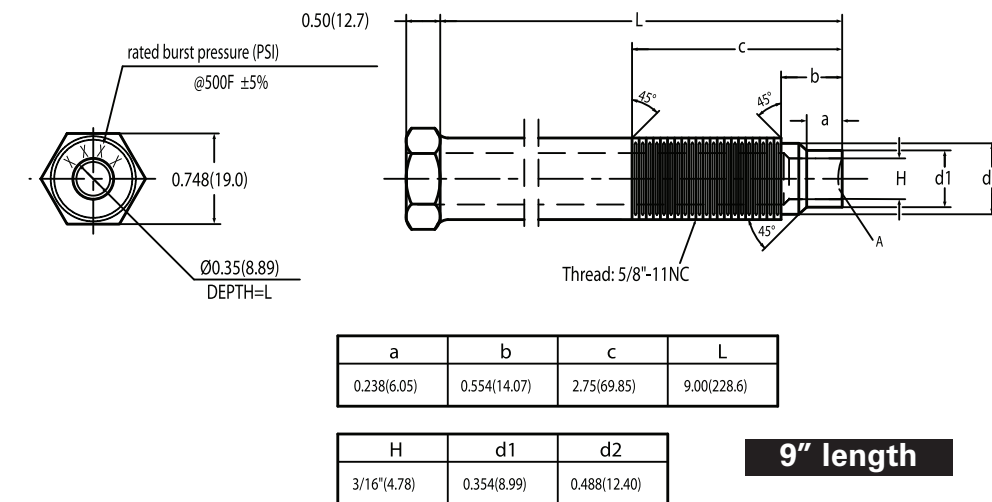
5/8" - 11 Mounting Thread



9" Length



B



| Part Number | Mounting Thread | Length | Head Styles | Discharge Connection | Burst Pressure | Price Each |
|----------------------|-----------------|--------|-------------|----------------------|----------------|------------|
| ERD9H58-1.5M | 5/8" 11 NC | 9" | Hex | None | 1,500 | \$197.00 |
| ERD9H58-2.5M | 5/8" 11 NC | 9" | Hex | None | 2,500 | \$197.00 |
| ERD9H58-3.5M | 5/8" 11 NC | 9" | Hex | None | 3,500 | \$197.00 |
| ERD9H58-4.5M | 5/8" 11 NC | 9" | Hex | None | 4,500 | \$197.00 |
| ERD9H58-5.5M | 5/8" 11 NC | 9" | Hex | None | 5,500 | \$197.00 |
| ERD9H58-6.5M | 5/8" 11 NC | 9" | Hex | None | 6,500 | \$197.00 |
| ERD9H58-7.5M | 5/8" 11 NC | 9" | Hex | None | 7,600 | \$197.00 |
| ERD9H58-8.5M | 5/8" 11 NC | 9" | Hex | None | 8,500 | \$197.00 |
| ERD9H58-9.5M | 5/8" 11 NC | 9" | Hex | None | 9,500 | \$197.00 |
| ERD9H58-10.5M | 5/8" 11 NC | 9" | Hex | None | 10,500 | \$197.00 |
| ERD9H58-12.5M | 5/8" 11 NC | 9" | Hex | None | 12,500 | \$197.00 |
| ERD9H58-15M | 5/8" 11 NC | 9" | Hex | None | 15,000 | \$197.00 |

featuring the best of:

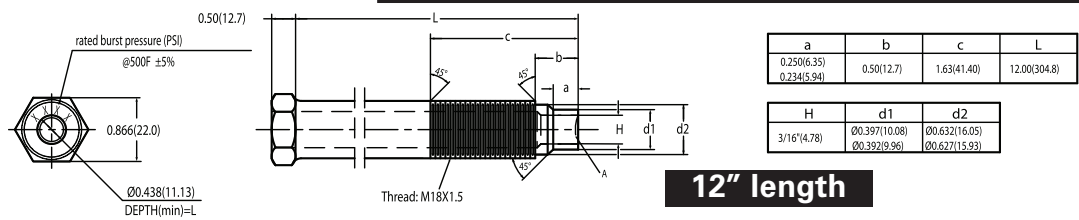
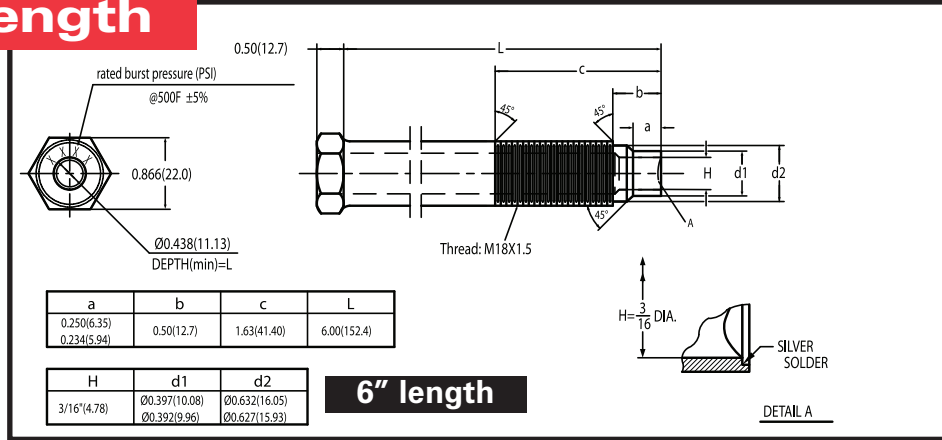
195k

Northern Supply (800-365-6565) • Nickerson Machinery (800-821-9534) • OHS (Ontario-888-809-7050/Quebec-888-475-9224)

GPMS Rupture Disks

M18 x 1.5 Mounting Thread

6" & 12" Length



| Part Number | Mounting Thread | Length | Head Styles | Discharge Connection | Burst Pressure | Price Each |
|------------------------|-----------------|--------|-------------|----------------------|----------------|------------|
| ERD6HM18-1.5M | M18 x 1.5 | 6" | Hex | None | 1,500 | \$191.00 |
| ERD6HM18-2.5M | M18 x 1.5 | 6" | Hex | None | 2,500 | \$191.00 |
| ERD6HM18-3.5M | M18 x 1.5 | 6" | Hex | None | 3,500 | \$191.00 |
| ERD6HM18-4.5M | M18 x 1.5 | 6" | Hex | None | 4,500 | \$191.00 |
| ERD6HM18-5.5M | M18 x 1.5 | 6" | Hex | None | 5,500 | \$191.00 |
| ERD6HM18-6.5M | M18 x 1.5 | 6" | Hex | None | 6,500 | \$191.00 |
| ERD6HM18-7.5M | M18 x 1.5 | 6" | Hex | None | 7,600 | \$191.00 |
| ERD6HM18-8.5M | M18 x 1.5 | 6" | Hex | None | 8,500 | \$191.00 |
| ERD6HM18-9.5M | M18 x 1.5 | 6" | Hex | None | 9,500 | \$191.00 |
| ERD6HM18-10.5M | M18 x 1.5 | 6" | Hex | None | 10,500 | \$191.00 |
| ERD6HM18-12.5M | M18 x 1.5 | 6" | Hex | None | 12,500 | \$191.00 |
| ERD6HM18-15M | M18 x 1.5 | 6" | Hex | None | 15,000 | \$191.00 |
| ERD12HM18-1.5M | M18 x 1.5 | 12" | Hex | None | 1,500 | \$252.00 |
| ERD12HM18-2.5M | M18 x 1.5 | 12" | Hex | None | 2,500 | \$252.00 |
| ERD12HM18-3.5M | M18 x 1.5 | 12" | Hex | None | 3,500 | \$252.00 |
| ERD12HM18-4.5M | M18 x 1.5 | 12" | Hex | None | 4,500 | \$252.00 |
| ERD12HM18-5.5M | M18 x 1.5 | 12" | Hex | None | 5,500 | \$252.00 |
| ERD12HM18-6.5M | M18 x 1.5 | 12" | Hex | None | 6,500 | \$252.00 |
| ERD12HM18-7.5M | M18 x 1.5 | 12" | Hex | None | 7,600 | \$252.00 |
| ERD12HM18-8.5M | M18 x 1.5 | 12" | Hex | None | 8,500 | \$252.00 |
| ERD12HM18-9.5M | M18 x 1.5 | 12" | Hex | None | 9,500 | \$252.00 |
| ERD12HM18-10.5M | M18 x 1.5 | 12" | Hex | None | 10,500 | \$252.00 |
| ERD12HM18-12.5M | M18 x 1.5 | 12" | Hex | None | 12,500 | \$252.00 |
| ERD12HM18-15M | M18 x 1.5 | 12" | Hex | None | 15,000 | \$252.00 |