

Solves static related problems such as:

- The attraction of dirt, dust and bacteria to all environmental surfaces, products and product packaging.
- Charge generation on surfaces of tote boxes and carriers used to process and store electronic components.
- Damage or destruction of sensitive electronic components and subassemblies during their manufacture, shipping or receiving.
- Data processing "glitches"... memory loss, data errors, paper jams.
- General Purpose is packaged in ready-to-use quart bottles with trigger sprayers or in easy to pour gallons.
- Available in larger quantities  
- Please Call

Staticide is non-toxic, nonflammable, non-staining, completely biodegradable and safe to use. It's the key component in any total environmental static control program.

When properly applied, Staticide complies with or exceeds all electrostatic decay criteria established for antistatic performance as set forth by NFPA and MIL B-81705B, when tested in accordance with Federal Test Standard 101B Method 4046.



**General Purpose Staticide Quarts w/ sprayer**

Part No.	1-11 units	12-35 units	36+ units
<b>ACL2003</b>	\$9.23	\$8.95	\$8.68

**General Purpose Staticide Gallons**

Part No.	1-3 units	4-11 units	12+ units
<b>ACL2001</b>	\$19.50	\$19.00	\$18.50

## Static Charge Measuring Device

Measures static charge instantly, reliably and economically!

- Measures static charges from zero to 30,000 volts
- Convenient pocket size
- Designed for close-in repetitive readings
- Uses standard 9 volt battery
- Battery Test Feature
- Low drift
- Repeatability ± 1%, accuracy ± 10%
- One-year warranty on parts and labor

Features a unique "quick zero" function which instantly zeroes the instrument and provides ground compensation for the user.

Size: 4-3/8" x 2-5/8" x 1-5/16"

Part Number **ACL300B**

**\$351.50**



Protective Carrying Case  
Part Number **ACLCS13**

**\$22.50**

# Anti-Static Copper Tinsel



- **100% Copper**
- **No Power Needed**
- **Pennies Per Foot**

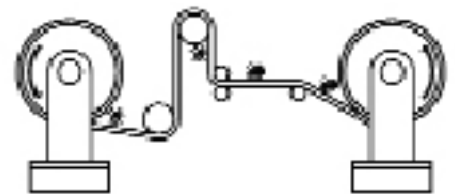
Proven through over fifty years of success to be **the most effective low cost, low maintenance passive static electricity eliminator available**, Anti-Static Tinsel is one of the most widely used methods of static control. Our Tinsel is of ultra conductive 100% copper strands, and eliminates static through the "self-energizing" or inductive principle. The core is made of multiple copper wires (not string) to ensure positive grounding and strength. The fine, sharply pointed copper strands provide greater static elimination. The conductive strands are interspersed to maximize effectiveness, but are not so dense as to make it easy to collect dust and dirt particles. Our Tinsel resists breakage, matting and shedding.

## MULTIPLE APPLICATIONS

Anti-Static Tinsel is effective in the elimination of static electricity from moving webs and conveyors used by many industries, including Printing, Converting, Paper, Plastics, Textiles and Office Equipment. It works most effectively when placed close but not in contact with the surface to be neutralized.

Tinsel works great when used on winding, extruding, sheeting, slitting, coating, carding, slashing, wrapping and folding operations.

***The higher the troubling static charges, the more efficiently the tinsel works.***



## TINSEL SPECIFICATIONS

100% copper strands and core wires in 1.25" diam. x 36 ft. coils.

Part Number: **5020UN** **\$13.50/box**

***Each box contains 72 ft. of tinsel consisting of two 36 ft. coils***

## VSE 3000 Volume Static Eliminator

Patented ESD Workstation Ionizer with Heater

Effectively eliminate static charges on your work bench quickly and reliably with the VSE 3000 Volume Static Eliminator. The VSE 3000 was the first ionizer designed with the testing procedures established by EOS/ESD Standard #3.1 (EOS/ESD-S3.1), the accepted industry standard for benchtop ionizer testing.

**Performance:** Your entire workstation is flooded with static eliminating ions delivered by the VSE 3000's variable speed fan and integral air flow diffuser. Faster decay rates than other ionizers.

**Reliability:** Protecting ESD-sensitive components requires tight, reliable ion balance. The VSE 3000 has patented, self-balancing circuitry, which is maintained even during brownouts and voltage fluctuations.

**Convenience:** Exceptionally quiet, the VSE 3000 delivers a powerful air flow with low noise levels. The VSE 3000's stand requires minimal workbench area, and can be mounted overhead or on walls.

**Air is heated** for operator comfort. **Heater Included.**

115 Volt  
Part No. **VS3115**  
**\$525.00**

230 Volt,  
Part No. **VS3230**  
**\$548.00**

## I-VSE 5000 Industrial Volume Static Eliminator

For demanding industrial environments

Reliably and quickly eliminate tough industrial static with the I-VSE 5000 Volume Static Eliminator.

The I-VSE 5000 relies on a simple passive ionization circuit\* and is manufactured with high quality components. No units have failed after years of continuous life testing.

The high volume variable speed fan is protected by an easily replaceable air filter. The I-VSE 5000's fan and built-in air diffuser allow quick elimination of static in a wide area (up to 80 square feet).

You can easily protect electrostatic sensitive control systems and improve productivity by eliminating static from conveyor, packaging and other material handling processes. The I-VSE 5000's stand is easily mounted on a bench, wall or ceiling as needed.

### ADVANTAGES OF THE I-VSE 5000 VOLUME STATIC ELIMINATOR

- Rapid static neutralization
- Electrical, self contained
- Large area coverage
- Replaceable air filter
- Quiet
- Balanced ion output; + 5 volts
- Flexible mounting
- Low maintenance
- User adjustable fan speed
- Safe

115 Volt  
Part No. **1VSE5115H**  
with filter  
**\$881.50**

230 Volt,  
Part No. **1VSE5230H**  
with filter  
**\$880.90**

FILTER KITS - 5 FILTERS AND HOLDER

Part Number 10790 (fits both Static Eliminators) **\$48.65**



**Ion Balances:** Self balancing unit maintains 0± 5 volts balance at all normal operating conditions

**Air Volume:** Variable 38 to 76 liters/sec.

(80 to 160 cfm) **Air Velocity:** 2.8 m/sec. at 0.6 meters (550ft/min at 2 ft) at maximum fan speed

**Angle of Ionized Air Coverage:** 60 degrees

**Heated air at Maximum Airflow:** 4.4° C (8° F) rise above ambient

**Heated air at Minimum Airflow:** 8.8° C (16° F) rise above ambient

**Noise Level:** 63 dbA max at 0.6 meters (2 ft) at maximum fan speed

**Ozone Protection:** Per UL 867 requirements

**EMI/RFI:** Complies with FCC Part 15 requirements for Class A equipment

**Dimensions:** 10" x 12" x 6.25" ( L x W x H)  
(254 x 305 x 159mm)

**Weight:** 8lbs. (3.6 kg)

**Line Voltage:** 115 VAC or 230 VAC, 50/60 Hz

**Power:** 35 watts with heater off, 435 watts with heater on

**Optional Equipment:** Filter, Emitter Assembly (>50,000 hours life)



### SPECIFICATIONS

**Line Voltage:** 115 VAC or 230 VAC: **Power:** 45 watts

**Fuse:** 5 x 20mm, time lag, 250 volt

115 VAC unit supplied with 1.0 amp fuse

230 VAC unit supplied with 0.5 amp fuse

**Ion Balances:** Self balancing unit maintains 0± 5 volts balance at all normal operating conditions

**Air Volume:** Variable 48 to 120 liters/sec.  
(100 to 255 cfm)

**Air Velocity:** 4.3 m/sec. at 0.6 meters  
(850 ft/min at 2 ft) at maximum fan speed

**Angle of Ionized Air Coverage:** 60 degrees

**Noise Level:** 68 dbA max at 0.6 meters (2 ft) at maximum fan speed

**Ozone Protection:** Per UL 867 requirements  
**EMI/RFI:** Complies with FCC Part 15 requirements for Class A equipment

**Dimensions:** 10" x 12" x 6.25" ( L x W x H)  
(254 x 305 x 159mm)

**Weight:** 8lbs. (3.6 kg) \* U.S. Patented #5,008,594

featuring the best of:

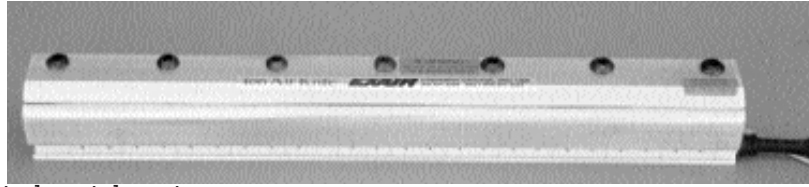
**451**



# Static Eliminating Air Knife

Bar and power supply UL listed to U.S. and Canadian safety standards

- 24 ionizing points per foot.
- Easy mounting to deliver maximum
- Unique design and precision .002" air gap amplifies your compressed air 30 times. Effective at distances up to 20 feet.
- Shielded cable for extra strength in industrial environments.



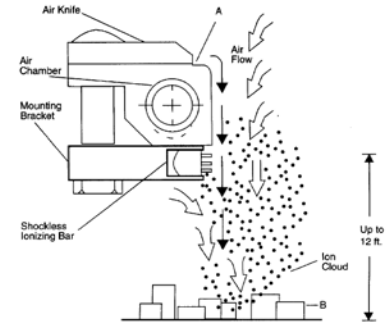
- High voltage bayonet connector plugs external power supply.

**Improve quality** and increase productivity in cleaning, pre-paint finishing, packaging, and plastics operations. Static attracts dirt and jams equipment. The Static Eliminating Air Knife removes static and blows off dirt simultaneously.

**Static Attracts Dirt** - neutralizing as you clean means your parts stay clean longer, and allows you to operate your processes at higher speed. Cleaner, static free parts give you better quality and fewer rejects.

The Static Eliminating Air Knife system combines three heavy duty components into one powerful system. The high voltage power supply and shockless static eliminating bar produce an ion cloud. The air knife creates a uniform, high velocity curtain of air to deliver the ionization where you need it, up to twenty feet away.

You control air velocity by adjusting the pressure - from 5 to 100 PSI. The air knife's unique design amplifies compressed air 30 times by entraining surrounding air, delivering effective ionization at lower cost. Ideal for irregular shapes and longer distances. The Static Eliminating Air Knife is the cost effective solution for the most difficult blow-off and static related applications.



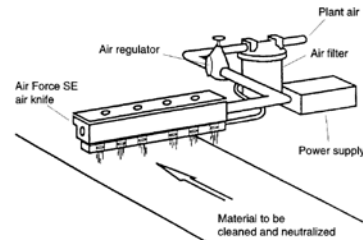
Compressed air exits the air knife at point A, follows the 90, contour of the air knife, and passes the bar's ionizing points. The high velocity air entrains surrounding air to amplify your compressed air. Objects or surfaces on Plane B are cleaned and neutralized by the fast moving sheet of ionizing air.

### Specifications:

5000 VAC output,  
120 or 240 VAC input  
**Cable Length:** 1524mm  
(60") shielded  
**Min. Air Pressure:** 5 PSIG  
**Max. Air Pressure:** 250 PSIG  
**Air Consumption:**  
1.3 SCFM/in at 30 PSIG  
**Air Flow:** 39 SCFM/in  
at 30 PSIG  
**Air Amplification:** 30:1  
increase in air flow

### Optional Equipment:

**Filtration:** Clean, dry air is essential. An auto-drain compressed air filter is recommended. Filters contain a five micron filter element and are sized for proper flow.  
**Regulation:** A regulator on the compressed air supply allows infinite control of flow, force and air consumption. Regulators include a pressure gauge and are sized properly for flow.  
**Caution:** Undersized air lines or restrictive fittings will "starve" the Static Eliminating Air Knife system by causing excessive line pressure drop.



Position the Static Eliminating Air Knife so that the sheet of air blows toward the material to be neutralized. You control the velocity of air by adjusting the air pressure between 5 and 100 PSI. We recommend starting at 30 PSI and adjusting the pressure as needed.



Part No.	Description	Price Each
7103M	3" SE Air Knife	\$190
7106M	6" SE Air Knife	\$287
7112M	12" SE Air Knife	\$359
7118M	18" SE Air Knife	\$429
7124M	24" SE Air Knife	\$488
7130M	30" SE Air Knife	\$570
7136M	36" SE Air Knife	\$635
Power Supplies		
7901	120/5000 V, (2) Bayonet	\$260
7907	240/5000 V, (2) Bayonet	\$265

Part#	Description	Price Each
For 6" & 12" Knives		
9001	50 SCFM Filter	\$79
9008	Pressure Regulator W/Gauge, 50 SCFM	\$40
For 18" Knives And Above		
9002	200 SCFM Filter	\$131
9009	Pressure Regulator WN/ Gauge, 200 SCFM	\$65
9020	Solenoid Valve (120V, 50/60Hz) 1/4 NPT	\$52
7092	extension cable	\$51

# Ion Air Cannon



**Concentrated flow of ionized air removes static and dust!**

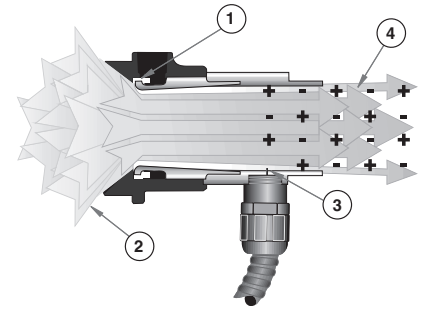
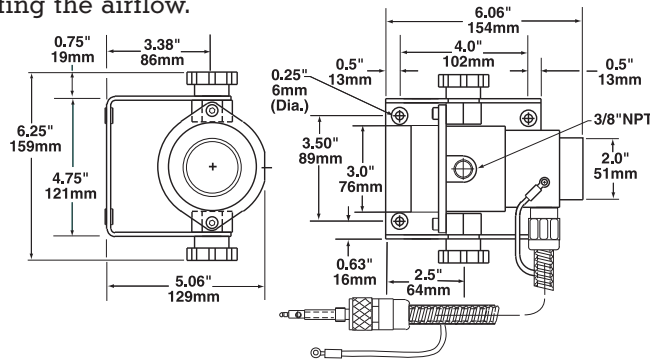
## What is the Ion Air Cannon?

Exair's Ion Air Cannon neutralizes static electricity and cleans at distances up to 15 feet (4.6m) with no moving parts. It is ideal for those hard to reach spaces or confined areas that require a concentrated flow of static eliminating ions. With an optional pressure regulator, the air volume and velocity are infinitely adjustable over a wide range, for light to heavy duty applications.

## Why the Ion Air Cannon?

The Ion Air Cannon will maximize ionized airflow while minimizing compressed air consumption. A small amount of compressed air is used to entrain a high volume flow of surrounding air. This combined stream is ionized by an emitter point (shockless) and delivered to the charged surface. A hose or tube can be connected to the air intake of the Ion Air Cannon to draw quality air from another area. It requires only 10 PSIG (0.7 BAR) for most applications.

The compact design saves bench space and allows mounting in confined areas. The sturdy stand is predrilled and can be wall, bench or machine mounted. It incorporates a swivel adjustment for directing the airflow.



The Ion Air Cannon incorporates a Super Air Amplifier and ionizing collar, energized by a power supply. A small amount of compressed air is injected into the barrel of the cannon (1) inducing a high volume flow of surrounding air to flow through it (2). An emitter point at the discharge end of the cannon (3) ionizes the entire airstream. The result is a high volume, conical flow of ionized air (4) capable of eliminating static and cleaning at distances up to 15 feet.

**Part No. # 7192**

Requires power supply 7901 or 7907 (see previous page).

**\$475**

# Digital Static Charge Meter



**Part No. #7905**  
Unit includes rugged hard shell carrying case and battery.

**\$625**

## ESD Digital Static Meter

Industrial Digital Electrostatic Meter

Accurate, sensitive and responsive, the Model 7905 Digital Static Meter allows easy one-hand static measurements. It indicates the surface voltage and polarity on objects up to  $\pm 20$  kV at a spacing of one inch (25mm). The Digital Static Meter features a push button "hold" for readings and automatic "power off".

Designed for use by industrial, maintenance, electrical and other field personnel, the 7905 has a rugged hard shell plastic case and compact design. With low drift and trouble free operation, maintenance consists of periodic replacement of its 9 volt battery.

The 7905's digital readout instantly indicates the magnitude and polarity of any static charge. You can easily locate and monitor potential trouble spots, position static elimination equipment, and evaluate the effectiveness of existing systems.

### SPECIFICATIONS:

Range: 0 to  $\pm 20$  kV at 1"

Distance: The meter reads true at 1" from the test surface

Accuracy:  $\pm 10\%$  of full scale

Power: (1) 9 volt battery (Eveready 216)

Size: 4.14" (10.6cm) long, 2.4" (6.1cm) wide, 1" (2.5cm) thick

Color: Black

Weight: Approximately 1/4 pound (113 grams)

featuring the best of:

**453**

Northern Supply (800-365-6565) • Nickerson Machinery (800-821-9534) • OHS (Ontario-888-809-7050/Quebec-888-475-9224)

F

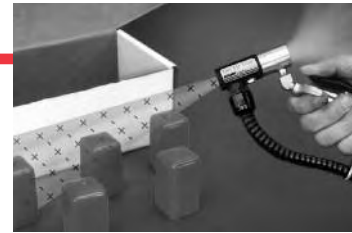


# Ion Air Gun™

**New rugged, ergonomic gun is a lightweight, effective spot cleaner!**

## What Is The Ion Air Gun?

EXAIR's Ion Air Gun combines incredibly fast static decay rates with low compressed air consumption. It is the ideal way to remove static, contaminants and dust from three dimensional parts prior to assembly, packaging, painting or finishing. The Ion Air Gun neutralizes static electricity and cleans at distances up to 15 feet (4.6m). **Why The Ion Air Gun?** The Ion Air Gun induces surrounding airflow through the gun at a ratio of 5:1, minimizing compressed air use and maximizing ionized airflow. The force can be adjusted from a "blast" to a "breeze". A comfortable grip and hand position allows hours of continuous use without fatigue. The Ion Air Gun is quiet, lightweight and features a hanger hook for easy storage. The 10 foot (3m) shielded power cable is extremely flexible, designed for rugged industrial use.



A modified version for stationary mounting (without the blowgun) is available.  
\* For special length cables, please contact us.

Model #	Description	Price
7193	Ion Air Gun Only includes 10' (3m) shielded cable*	\$347
7293	Ion Air Gun and Power Supply	\$607
7493	Ion Air Gun Kit	\$713

## Power Supplies

- 7901 120/5000 V, (2) Bayonet \$260
- 7907 240/5000 V, (2) Bayonet \$265



## Ion Air Gun Specifications

EXAIR Model 7901 or 7907 Power Supply (5 kV) is required for operation.

**Compressed Air:** 1/4" NPT inlet provided

### Materials of Construction:

Metal Parts: Brass, Zinc and Stainless Steel

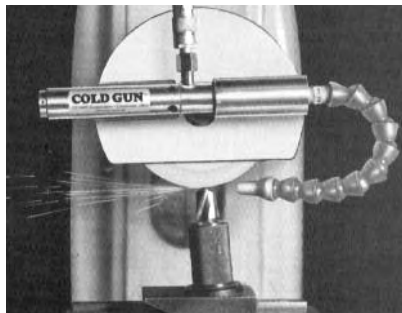
Plastic Parts: UL rated 94 HB

Emitter: Stainless Steel

**Electrical:** For use with 5 kVrms, 5 milliamperes (max.) power supply, Model 7901 (115V) or 7907 (230V). Power supplies are UL Listed, CSA Certified.

**Electrical Hazard:** Shockless (less than 40 microamperes short circuited). Do not use near flammable materials or gases.

# Cold Air Gun



Replace messy mist systems - improve dry machining with clean, cold air! Clean, Cold Air At 50° Below Supply Air Temperature, With No Moving Parts!

### FEATURES:

- Low Cost
- Compact
- No Moving Parts
- Maintenance Free
- Quiet
- Magnetic Base

### USE FOR:

- Cooling Parts
- Cooling Core Pins
- Setting Hot Melts
- Minimize Heat Sinks
- Stop Drooling or
- .....Freeze off a nozzle

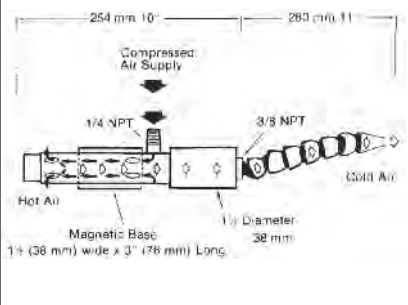
The Cold Gun Air Coolant System incorporates a vortex tube to convert an ordinary supply of compressed air into two low pressure streams, one hot and one cold. The hot air stream is muffled and discharged through the hot air exhaust. The cold air is muffled and discharged through the flexible hose, which directs it to the point of use. The magnetic base provide easy mounting and portability.

### ORDERING INFORMATION

Cold Gun Kits Include: Cold Gun with magnetic base, pneumatic filter with manual drain, single or double point flexible hose kit.

- CG5215** Single Point Cold Gun Kit ..... \$272
- CG5315** Double Point Cold Gun Kit ..... \$281

### How the Cold Gun Works:



# Super Air Wipes



**Blowoff, dry, clean  
and cool pipe, cable, extruded  
shapes, and hose!**

**Split design requires  
no threading!**

EXAIR's Super Air Wipe provides a uniform 360° airstream that is ideal for blowoff, drying, cleaning and cooling of pipe, cable, extruded shapes, hose and more. The split design offers easy clamping around the surface of the material moving through it, eliminating the need for threading. **All models include stainless steel screws and shims. Stainless steel wire braided hose is also included on sizes up to 4" (102mm) for added corrosion and heat resistance. Aluminum models are rated for temperatures up to 400°F (204°C) and stainless steel models for temperatures up to 800°F (427°C).**



**New!**



## Air Wipe Performance

MODEL	80 PSIG (5.5 BAR)		Air Consumption	Sound Level @ 3' (91m)
	SCFM	SLPM	dBA	
2401, 2401SS	19.1	541	76	
2402, 2402SS	29.5	835	77	
2403, 2403SS	39.8	1127	79	
2404, 2404SS	50.2	1422	81	
2405, 2435	60.6	1716	82	
2406, 2436	71.0	2010	84	
2407, 2437	81.3	2302	85	
2409, 2439	102.1	2891	87	
2411, 2431	122.8	3477	89	

The aluminum Super Air Wipe is available in 9 sizes from stock. The Stainless Steel Super Air Wipe is available in 4 sizes from stock. Other sizes are available by special order.

## Applications

- Drying after wash, cleaning, plating or coating
- Blowoff dust and contaminants
- Cool hot extruded shapes
- Uniformly wipe surfaces
- Eliminate solution carryover - no cross contamination
- Remove excess coatings, water and oil
- Minimize solution loss due to drag-out
- Dry screen printed or ink jetted surfaces
- Ideal for pipe, cable, extrusions, wire, rod and hose

## Advantages

- Quiet
- Low air consumption
- Uniform airflow across the entire diameter
- Stainless steel hardware resists corrosion
- Aluminum models for temperatures up to 400°F (204°C)  
Stainless steel models for temperatures to 800°F (427°C)
- Stainless steel hose supplied on sizes up to 4" (102mm)
- No electricity, no moving parts
- Non-contact - no wiper blade
- Split design - compact, rugged, easy to install
- Lightweight, low profile
- Tapped holes for mounting
- Variable force and flow
- Meets OSHA maximum dead end pressure and noise requirements

featuring the best of:

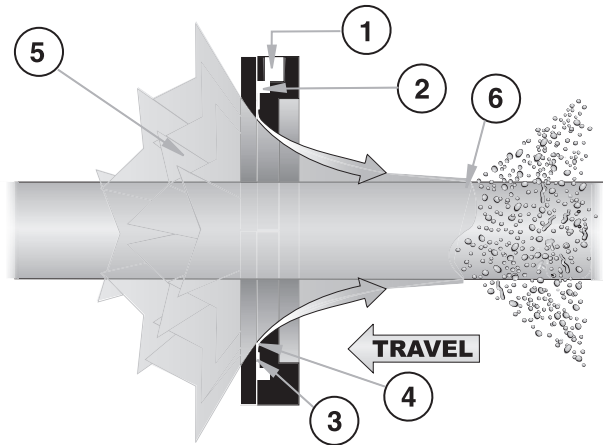
**455**

Northern Supply (800-365-6565) • Nickerson Machinery (800-821-9534) • OHS (Ontario-888-809-7050/Quebec-888-475-9224)

F

## How The Air Wipe Works

Compressed air flows through an inlet (1) of the Air Wipe into an annular chamber (2). It is then throttled through a small ring nozzle (3) at high velocity. This primary airstream adheres to the coanda profile (4), which directs it down the angled surface of the Air Wipe. A low pressure area is created at the center (5) inducing a high volume flow of surrounding air into the primary airstream. As the airflow leaves the Air Wipe, it creates a conical 360° ring of air that attaches itself to the surface of the material running through it (6), uniformly wiping the entire surface with the high velocity airflow.



## Super Air Wipe Systems

Super Air Wipe		
Model#	Description	Price
2401	1" (25mm)	\$237
2402	2" (51mm)	\$342
2403	3" (76mm)	\$550
2404	4" (102mm)	\$769
2405	5" (127mm)	\$998
2406	6" (152mm)	\$1,200
2407	7" (178mm)	\$1,495
2409	9" (229mm)	\$2,044
2411	11" (279mm)	\$2,633
Super Air Wipe Kit		
Kit includes Super Air Wipe, filter separator, pressure regulator and shim set		
Model#	Description	Price
2451	1" (25mm)	\$364
2452	2" (51mm)	\$466
2453	3" (76mm)	\$665
2454	4" (102mm)	\$907
2455	5" (127mm)	\$1,128
2456	6" (152mm)	\$1,322
2457	7" (178mm)	\$1,606
2459	9" (229mm)	\$2,177
2461	11" (279mm)	\$2,745

Stainless Steel Super Air Wipe		
Model #	Description	Price
2401SS	1" (25mm)	\$550
2402SS	2" (51mm)	\$750
2403SS	3" (76mm)	\$1,150
2404SS	4" (102mm)	\$1,595
Stainless Steel Super Air Wipe Kit		
Kit includes Super Air Wipe, filter separator, pressure regulator and shim set		
Model #	Description	Price
2451SS	1" (25mm)	\$661
2452SS	2" (51mm)	\$853
2453SS	3" (76mm)	\$1,235
2454SS	4" (102mm)	\$1,692

Super Air Wipe Shim Set		
Shim Sets include (2) .002" (.05mm) thick stainless steel shim.		
Model #	Description	Price
2351SS	1" (25mm)	\$10
2352SS	2" (51mm)	\$12
2353SS	3" (76mm)	\$14
2354SS	4" (102mm)	\$16
2355SS	5" (127mm)	\$19
2356SS	6" (152mm)	\$22
2357SS	7" (178mm)	\$25
2359SS	9" (229mm)	\$33
2361SS	11" (279mm)	\$41

## Super Air Wipe Is Easy To Use

There is a 1/4 NPT female inlet on each half of the Super Air Wipe on sizes up to 7" (178mm). Larger sizes include two 1/4 NPT female inlets on each half in order to maintain proper air volume and performance. Aluminum Super Air Wipes up to 4" (102mm) include a brass tee that supplies one half directly and a stainless steel wire braided coupling hose rated at 400°F (204°C) to supply the other half. Stainless steel Super Air Wipes up to 4" (102mm) include a stainless steel tee and a stainless steel wire braided coupling hose rated at 800°F (427°C). Larger sizes should be piped directly.



**The Model 2402 2" (51mm) Super Air Wipe cools PVC pipe as it is ejected from an extruder.**