

# Melt Pressure Gauges

## Rigid Stem



### Melt Pressure Gauge - Model ERTG

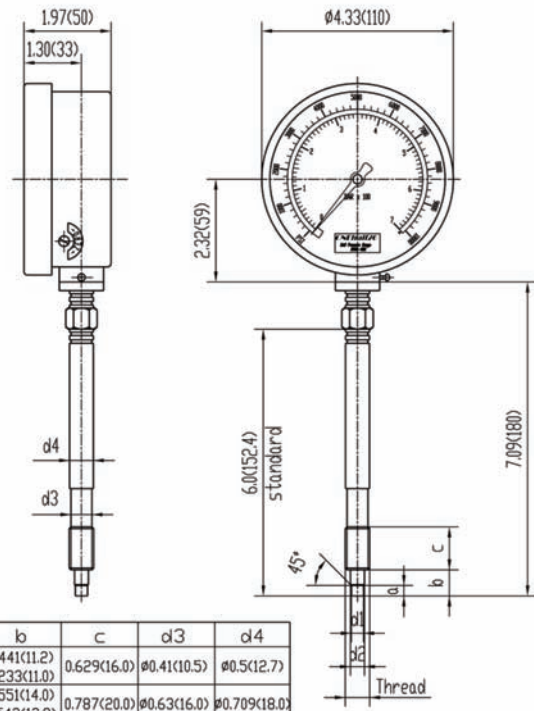
Melt Pressure Gauge Model ERTG is a totally mechanical device, requiring no power. This rugged, totally self-contained Melt Pressure Gauge is available in either 0-5,000 psi or 0-10,000 psi ranges. This gauge allows the user to benefit from the improved efficiency and quality that goes along with melt pressure monitoring at an affordable price.



Melt Pressure Gauge Model ERTG comes standard with a 6" rigid stem, 1/2-20 UNF mounting thread.

### Features & Benefits

- Requires no electrical power and is totally maintenance free.
- All stainless steel construction
- Large 4" gauge head with safety glass can be rotated 300° for pressure reading convenience.
- Accuracy +/- 2%
- Optional type J or type K thermocouple output.



Thread	d1	d2	a	b	c	d3	d4
1/2"-20	Ø0.307(7.8)	Ø0.413(10.5)	0.217(5.5)	0.441(11.2)	0.629(16.0)	Ø0.41(10.5)	Ø0.5(12.7)
	Ø0.303(7.7)	Ø0.407(10.35)	0.211(5.35)	0.233(11.0)			
M18	Ø0.394(10.0)	Ø0.610(15.5)	0.236(6.0)	0.551(14.0)	0.787(20.0)	Ø0.63(16.0)	Ø0.709(18.0)
	Ø0.386(9.8)	Ø0.602(15.3)	0.230(5.85)	0.543(13.8)			

Part#	Description	Pressure Range	Thermocouple	Price Each
<b>ERTG6-5M</b>	6" Rigid Stem Only	0-5,000 psi	None	\$445.00
<b>ERTG6-5MTCJ</b>	6" Rigid Stem Only	0-5,000 psi	Type J	\$570.00
<b>ERTG6-5MTCK</b>	6" Rigid Stem Only	0-5,000 psi	Type K	\$570.00
<b>ERTG6-10M</b>	6" Rigid Stem Only	0-10,000 psi	None	\$445.00
<b>ERTG6-10MTCJ</b>	6" Rigid Stem Only	0-10,000 psi	Type J	\$570.00
<b>ERTG6-10MTCK</b>	6" Rigid Stem Only	0-10,000 psi	Type K	\$570.00
<b>ERTG12-5M</b>	12" Rigid Stem Only	0-5,000 psi	None	\$545.00
<b>ERTG12-5MTCJ</b>	12" Rigid Stem Only	0-5,000 psi	Type J	\$670.00
<b>ERTG12-5MTCK</b>	12" Rigid Stem Only	0-5,000 psi	Type K	\$670.00
<b>ERTG12-10M</b>	12" Rigid Stem Only	0-10,000 psi	None	\$545.00
<b>ERTG12-10MTCJ</b>	12" Rigid Stem Only	0-10,000 psi	Type J	\$670.00
<b>ERTG12-10MTCK</b>	12" Rigid Stem Only	0-10,000 psi	Type K	\$670.00

featuring the best of:

**554a**

Northern Supply (800-365-6565) • Nickerson Machinery (800-821-9534) • OHS (Ontario-888-809-7050/Quebec-888-475-9224)

F

# Melt Pressure Gauges

## Flexible Stem

### Melt Pressure Gauge - Model ECTG

Melt Pressure Gauge Model ECTG is a totally mechanical device, requiring no power. This rugged, totally self-contained Melt Pressure Gauge is available in either 0-5,000 psi or 0-10,000 psi ranges. This gauge allows the user to benefit from the improved efficiency and quality that goes along with melt pressure monitoring at an affordable price.

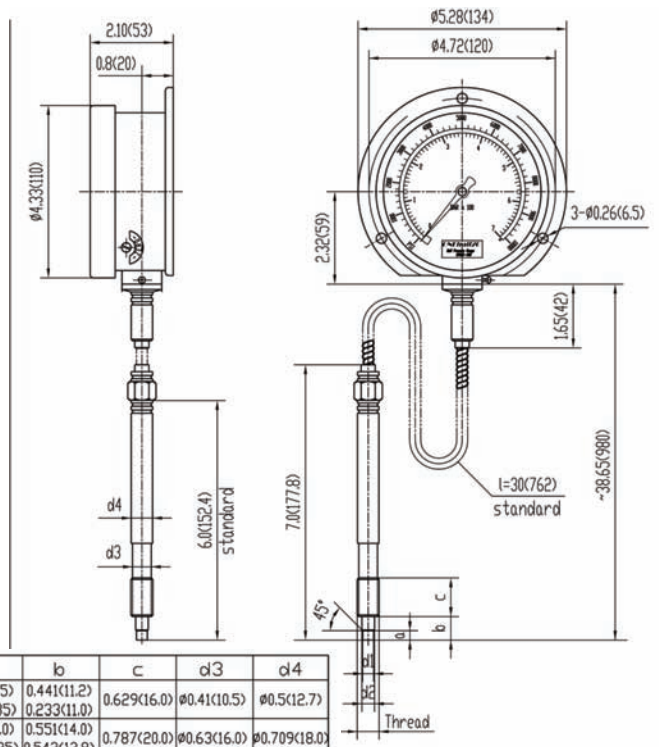
Melt Pressure Gauge Model ECTG comes standard with a 6" rigid stem and **30" of flexible capillary**, and 1/2-20 UNF thread.



shown with type J thermocouple output

### Features & Benefits

- Requires no electrical power and is totally maintenance free.
- All stainless steel construction
- Large 4" gauge head with safety glass can be rotated 300° for pressure reading convenience.
- Accuracy +/- 2%
- Optional type J or type K thermocouple output.



Part#	Description	Pressure Range	Thermocouple	Price Each
ECTG6-5M	6" Rigid Stem w/30" Capillary	0-5,000 psi	None	\$445.00
ECTG6-5MTCJ	6" Rigid Stem w/30" Capillary	0-5,000 psi	Type J	\$570.00
ECTG6-5MTCK	6" Rigid Stem w/30" Capillary	0-5,000 psi	Type K	\$570.00
ECTG6-10M	6" Rigid Stem w/30" Capillary	0-10,000 psi	None	\$445.00
ECTG6-10MTCJ	6" Rigid Stem w/30" Capillary	0-10,000 psi	Type J	\$570.00
ECTG6-10MTCK	6" Rigid Stem w/30" Capillary	0-10,000 psi	Type K	\$570.00
ECTG12-5M	12" Rigid Stem w/30" Capillary	0-5,000 psi	None	\$545.00
ECTG12-5MTCJ	12" Rigid Stem w/30" Capillary	0-5,000 psi	Type J	\$670.00
ECTG12-5MTCK	12" Rigid Stem w/30" Capillary	0-5,000 psi	Type K	\$670.00
ECTG12-10M	12" Rigid Stem w/30" Capillary	0-10,000 psi	None	\$545.00
ECTG12-10M2TCK	12" Rigid Stem w/30" Capillary	0-10,000 psi	Type K	\$670.00
ECTG12-10MTCJ	12" Rigid Stem w/30" Capillary	0-10,000 psi	Type J	\$670.00