

D-M-E CounterView Mold Counter 100-200 Series

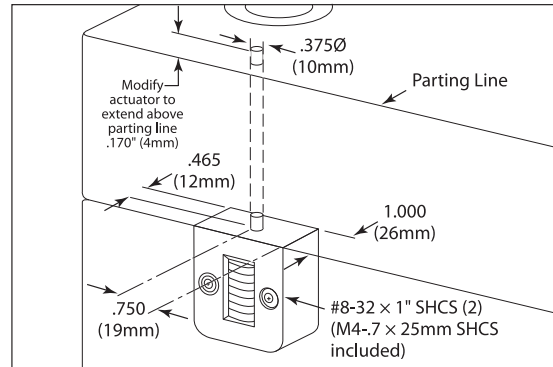
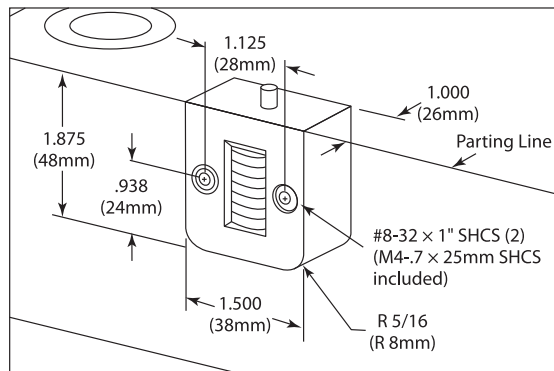
Accurately monitors mold operation, validates process monitoring data, and assists mold maintenance procedures.

With a maximum operating temperature of 250°F (121°C), this precise device uses a non-resettable, mechanical, 7-digit counter to record the number of times a mold closes. Easily mountable to accommodate changeovers for different mold insert heights, the unit's counting mechanism relies on a sensor that detects when the mold has closed. Each mold cycle triggers the digital display to increase or decrease the counting mechanism, depending on how it's been set.



Features and Benefits

- ◆ Positively monitors mold activity
- ◆ Confirms process monitoring data
- ◆ Maximizes mold maintenance procedures
- ◆ Enables access to mold information online at <http://moldmonitor.com>
- ◆ Glass-filled nylon housing for rugged durability



Parting Line Mount

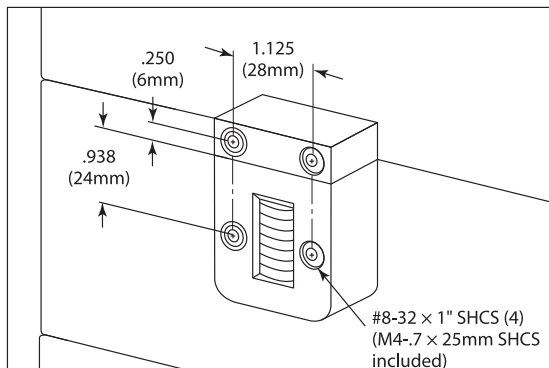
Parting line mount makes unit easily visible.

Part#	Item	Price Each
CVPL100D	Inch Standard	\$68.50
CVPL200D	Metric Standard	\$68.50

Internal Extension Mount

Machinable 8" [203mm] extension enables support plate or rail installation

Part#	Item	Price Each
CVIN100D	Inch Standard	\$79.00
CVIN200D	Metric Standard	\$79.00



External Mount

Pocket machining not necessary. Designed specifically for retrofit applications

Part#	Item	Price Each
CVEX100D	Inch Standard	\$85.00
CVEX200D	Metric Standard	\$85.00

Each CounterView has a unique serial number that allows users to view mold information online at moldmonitor.com.

CounterView is a registered trademark of Progressive Components.
U.S.# 5,571,539
Others issued and pending

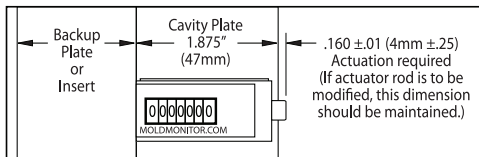
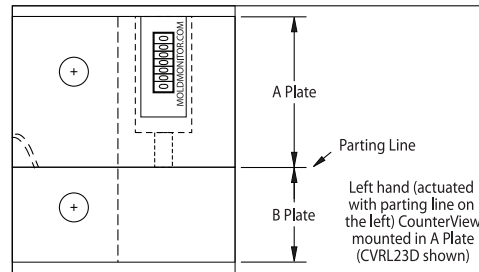
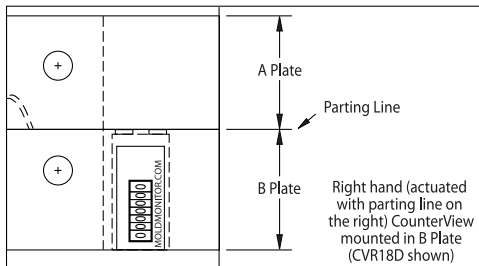
CounterView® Mold Counter

D-M-E

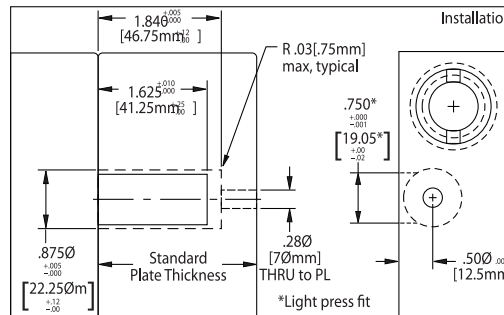


CounterView® (R-Series)

The CounterView accurately monitors mold operation, validates process monitoring data, and assists mold maintenance procedures. With a maximum operating temperature of 250°F (121°C), this precise unit has a non-resettable, mechanical, 7-digit counter and a glass-filled nylon housing for rugged durability.



The R-Series CounterView can be installed in the A or B plates with a minimum thickness of 1.875" (47mm). Larger plates utilize a threaded rod (included with each) that is pre-machined to the appropriate length for standard plate thicknesses to provide consistent actuation.



Each R-Series CounterView includes the actuator. All except CVR18D and CVRL18D require attachment of actuator rod to the threaded unit.



Parting Line at Left	Part Number	Nominal Plate Thickness	Price Each
Inch Standard	CVRL18D	1.875"	\$68.50
	CVRL23D	2.375"	\$79.00
	CVRL28D	2.875"	\$79.00
	CVRL33D	3.375"	\$79.00
	CVRL38D	3.875"	\$79.00
	CVRL43D	4.375"	\$79.00
	CVRL83D	8.375"	\$79.00
Metric Standard	CVRL56D	56 mm	\$79.00
	CVRL66D	66 mm	\$79.00
	CVRL76D	76 mm	\$79.00
	CVRL96D	96 mm	\$79.00

Parting Line at Right	Part Number	Nominal Plate Thickness	Price Each
Inch Standard	CVR18D	1.875"	\$68.50
	CVR23D	2.375"	\$79.00
	CVR28D	2.875"	\$79.00
	CVR33D	3.375"	\$79.00
	CVR38D	3.875"	\$79.00
	CVR43D	4.375"	\$79.00
	CVR83D	8.375"	\$79.00
Metric Standard	CVR56D	56 mm	\$79.00
	CVR66D	66 mm	\$79.00
	CVR76D	76 mm	\$79.00
	CVR96D	96 mm	\$79.00

Replacement Actuator Rods			Inch Standard		
Metric Standard			Part Number	Rod Length	Price Each
Part Number	Rod Length	Price Each	RCV23	0.5 inch	\$12.00
RCV56	8.38 mm	\$12.00	RCV23	1.0 inch	\$12.00
RCV66	18.39 mm	\$12.00	RCV23	1.5 inch	\$12.00
RCV76	28.37 mm	\$12.00	RCV23	2.0 inch	\$12.00
RCV96	48.38 mm	\$12.00	RCV23	2.5 inch	\$12.00
			RCV23	6.5 inch	\$12.00

featuring the best of:

269b

Northern Supply (800-365-6565) • Nickerson Machinery (800-821-9534) • OHS (Ontario-888-809-7050/Quebec-888-475-9224)

