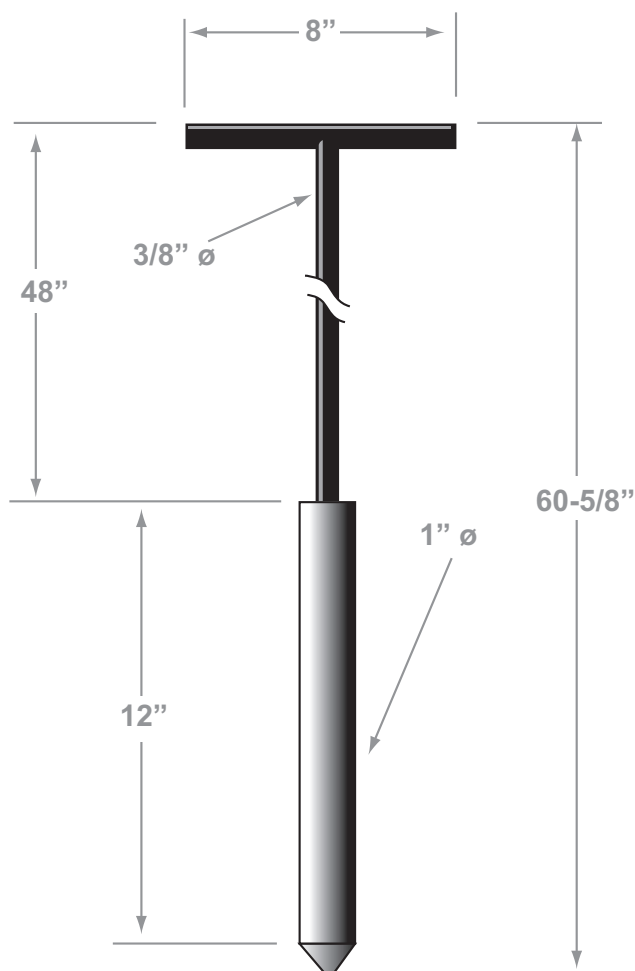


"T" Handle Magnetic Wands



"T" Handle Magnetic Wands

The DME Molding Supplies "T" handle magnetic wand is an easy and effective way to safely sweep gaylords, regrind materials or other small batch additives preventing costly damage to screws or barrels and eliminating clogged nozzles due to tramp metal entering the process. This "T" handle wand is light weight with power where it counts coming from *a full 12 inch long 1 inch diameter bullet tip magnet made of power balanced Neodymium permanent magnetic material.* Optional handle and cartridge lengths are available. This high quality tool is designed to save the molder production time and need for costly repairs.



part# **TMW1**
price **\$575 ea.**