

# Screw Tips

Screw Diameter	Thread	H13		CPM9V	
		Part#	Price Ea.	Part#	Price Ea.
<b>Arburg (Stepped Seat) Old Models</b>					
Stub Nose					
18mm	10/1.5mm	<b>CAA18</b>	\$242.86	<b>CAA18FC</b>	\$271.43
22mm	12/1.75mm	<b>CAA22</b>	\$242.86	<b>CAA22FC</b>	\$271.43
25mm	12/1.75mm	<b>CAA25</b>	\$264.29	<b>CAA25FC</b>	\$285.71
30mm	14/1.5mm	<b>CAA30</b>	\$278.57	<b>CAA30FC</b>	\$321.43
35mm	18/1.5mm	<b>CAA35</b>	\$300.00	<b>CAA35FC</b>	\$357.14
40mm	18/1.5mm	<b>CAA40</b>	\$328.57	<b>CAA40FC</b>	\$414.29
45mm	22/1.5mm	<b>CAA45</b>	\$342.86	<b>CAA45FC</b>	\$471.43
Spear Nose					
18mm	10/1.5mm	<b>CAA18C</b>	\$242.86	<b>CAA18CFC</b>	\$271.43
22mm	12/1.75mm	<b>CAA22C</b>	\$242.86	<b>CAA22CFC</b>	\$271.43
25mm	12/1.75mm	<b>CAA25C</b>	\$264.29	<b>CAA25CFC</b>	\$285.71
30mm	14/1.5mm	<b>CAA30C</b>	\$278.57	<b>CAA30CFC</b>	\$321.43
35mm	18/1.5mm	<b>CAA35C</b>	\$300.00	<b>CAA35CFC</b>	\$357.14
40mm	18/1.5mm	<b>CAA40C</b>	\$328.57	<b>CAA40CFC</b>	\$414.29
45mm	22/1.5mm	<b>CAA45C</b>	\$342.86	<b>CAA45CFC</b>	\$471.43
<b>Arburg (Flat Seat) New Models</b>					
Stub Nose					
18mm	10/1.5mm	<b>CAA18B</b>	\$242.86	<b>CAA18BFC</b>	\$271.43
22mm	12/1.75mm	<b>CAA22B</b>	\$242.86	<b>CAA22BFC</b>	\$271.43
25mm	12/1.75mm	<b>CAA25B</b>	\$264.29	<b>CAA25BFC</b>	\$285.71
30mm	14/1.5mm	<b>CAA30B</b>	\$278.57	<b>CAA30BFC</b>	\$321.43
35mm	18/1.5mm	<b>CAA35B</b>	\$300.00	<b>CAA35BFC</b>	\$357.14
40mm	18/1.5mm	<b>CAA40B</b>	\$328.57	<b>CAA40BFC</b>	\$414.29
45mm	22/1.5mm	<b>CAA45B</b>	\$342.86	<b>CAA45BFC</b>	\$471.43
Spear Nose					
18mm	10/1.5mm	<b>CAA18A</b>	\$242.86	<b>CAA18AFC</b>	\$271.43
20mm	10/1.5mm	<b>CAA20A</b>	\$242.86	<b>CAA20AFC</b>	\$271.43
22mm	12/1.75mm	<b>CAA22A</b>	\$264.29	<b>CAA22AFC</b>	\$285.71
25mm	12/1.75mm	<b>CAA25A</b>	\$278.57	<b>CAA25AFC</b>	\$321.43
30mm	14/1.5mm	<b>CAA30A</b>	\$300.00	<b>CAA30AFC</b>	\$357.14
35mm	18/1.5mm	<b>CAA35A</b>	\$328.57	<b>CAA35AFC</b>	\$414.29
40mm	18/1.5mm	<b>CAA40A</b>	\$342.86	<b>CAA40AFC</b>	\$471.43
45mm	22/1.5mm	<b>CAA45A</b>	\$242.86	<b>CAA45AFC</b>	\$271.43
<b>Autojectors</b>					
3/4"	7/16"-14	<b>CAJ19</b>	\$264.29	<b>CAJ19FC</b>	\$278.57
1"	1/2"-13	<b>CAJ25</b>	\$271.43	<b>CAJ25FC</b>	\$292.86
1 1/4"	5/8"-11	<b>CAJ31</b>	\$300.00	<b>CAJ31FC</b>	\$357.14
1 1/2"	3/4"-10	<b>CAJ38</b>	\$314.29	<b>CAJ38FC</b>	\$392.86
1 3/4"	7/8"-9	<b>CAJ44</b>	\$350.00	<b>CAJ44FC</b>	\$464.29
2 3/4"	1 1/4"-7	<b>CAJ70</b>	\$571.43	<b>CAJ70FC</b>	\$842.86

**NOTE: This is just a short list of Screw Tips that we have. If you don't see the brand/type or size of the screw tip you need give us a call! We have PVC smear tips and ball checks as well!**

# Screw Tips



Screw Diameter	Thread	H13		CPM9V	
		Part Number	Price Each	Part Number	Price Each
<b>Battenfeld</b>					
22mm	12/1.75mm	CAB22	Call for Quote	CAB22FC	Call for Quote
25mm	12/1.75mm	CAB25		CAB25FC	
30mm	14/1.5mm	CAB30		CAB30FC	
35mm	16/1.5mm	CAB35		CAB35FC	
40mm	20/2mm	CAB40		CAB40FC	
40mm	20/2mm	CAB40A		CAB40AFC	
45mm	20/2mm	CAB45A		CAB45AFC	
60mm	24/2mm	CAB60		CAB60FC	
70mm	40/2mm	CAB70		CAB70FC	
110mm	60/2.5mm	CAB110		CAB110FC	
<b>Beloit</b>					
1 ¼"	5/8"-18	CABL32	Call for Quote	CABL32FC	Call for Quote
1 ½"	¾"-16	CABL38		CABL38FC	
1 ¾"	7/8"-14	CABL44		CABL44FC	
2 ⅛"	7/8"-9	CABL54		CABL54FC	
2 ½"	1"-8	CABL64		CABL64FC	
3"	1 ¼"-7	CABL76		CABL76FC	
3 ½"	1 ¾"-5	CABL89		CABL89FC	
<b>*IN STOCK Boy</b>					
14mm	8/1.25mm	CAAB14	\$282.00	CAAB14FC	\$282.00
16mm	8/1.25mm	CAAB16	\$288.00	CAAB16FC	\$288.00
18mm	10/1.5mm	CAAB18	\$300.00	CAAB18FC	\$300.00
*22mm	12/1.75mm	CAAB22	\$324.00	CAAB22FC	\$335.00
*24mm	12/1.75mm	CAAB24	\$324.00	CAAB24FC	\$335.00
*28mm	12/1.75mm	CAAB28	\$341.00	CAAB28FC	\$365.00
*32mm	14/2mm	CAAB32	\$341.00	CAAB32FC	\$365.00
*36mm	16/2mm	CAAB36	\$341.00	CAAB36FC	\$365.00
*38mm	16/2mm	CAAB38	\$353.00	CAAB38FC	\$376.00
*42mm	16/2mm	CAAB42	\$388.00	CAAB42FC	\$453.00
*48mm	18/2.5mm	CAAB48	\$400.00	CAAB48FC	\$465.00
<b>Cincinnati (old)</b>					
1 5/8"	5/8"-11	CAC41	Call for Quote	CAC41FC	Call for Quote
2"	¾"-16	CAC51		CAC51FC	
2 ½"	1 ¼"-12	CAC64		CAC64FC	
2 ¾"	1 ¼"-12	CAC70		CAC70FC	
3 ¼"	1 ½"-12	CAC83		CAC83FC	
3 ½"	1 ½"-12	CAC88		CAC88FC	

B

NOTE: This is just a short list of Screw Tips that we have. If you don't see the brand/type or size of the screw tip you need give us a call! We have PVC smear tips and ball checks as well!

# Screw Tips

Screw Diameter	Thread	H13		CPM9V	
		Part Number	Price Each	Part Number	Price Each
<b>Cincinnati (old) continued...</b>					
4 1/2"	2"-12	<b>CAC114</b>	Call for Quote	<b>CAC114FC</b>	Call for Quote
5 1/4"	2 1/4"-12	<b>CAC133</b>		<b>CAC133FC</b>	
6"	2 1/2"-12	<b>CAC152</b>		<b>CAC152FC</b>	
<b>Cincinnati (new)</b>					
1 5/8"	3/4"-10	<b>CAC41</b>	Call for Quote	<b>CAC41FC</b>	Call for Quote
1 3/4"	5/8"-11	<b>CAC44A</b>		<b>CAC44AFC</b>	
1 3/4"	3/4"-10	<b>CAC44</b>		<b>CAC44FC</b>	
2"	1"-8	<b>CAD51</b>		<b>CAD51FC</b>	
2 1/4"	1"-8	<b>CAD57</b>		<b>CAD57FC</b>	
2 1/2"	1 1/4"-7	<b>CAD64</b>		<b>CAD64FC</b>	
2 3/4"	1 1/4"-7	<b>CAD70</b>		<b>CAD70FC</b>	
3 1/4"	1 1/2"-6	<b>CAD83A</b>		<b>CAD83AFC</b>	
3 1/2"	1 1/2"-6	<b>CAD88</b>		<b>CAD88FC</b>	
4 1/2"	2"-6	<b>CAD114</b>		<b>CAD114FC</b>	
5 1/4"	2 1/4"-6	<b>CAD133</b>		<b>CAD133FC</b>	
6"	2 1/2"-6	<b>CAD152</b>		<b>CAD152FC</b>	
<b>Cincinnati (other)</b>					
28mm	16/2mm	<b>CAC28</b>	Call for Quote	<b>CAC28FC</b>	Call for Quote
32mm	18/2.5mm	<b>CAC32</b>		<b>CAC32FC</b>	
1 5/16"	5/8"-11	<b>CAC33</b>		<b>CAC33FC</b>	
35mm	18/2.5mm	<b>CAC35</b>		<b>CAC35FC</b>	
36mm	20/2.5mm	<b>CAC36</b>		<b>CAC36FC</b>	
40mm	20/2.5mm	<b>CAC40</b>		<b>CAC40FC</b>	
42mm	22/2.5mm	<b>CAC42</b>		<b>CAC42FC</b>	
44mm	24/3mm	<b>CAC44D</b>		<b>CAC44DFC</b>	
50mm	24/3mm	<b>CAC50</b>		<b>CAC50FC</b>	
55mm	27/3mm	<b>CAC55</b>		<b>CAC55FC</b>	
56mm	30/3.5mm	<b>CAC56</b>		<b>CAC56FC</b>	
65mm	30/3.5mm	<b>CAC65</b>		<b>CAC65FC</b>	
70mm	36/4mm	<b>CAC70A</b>		<b>CAC70AFC</b>	
110mm	56/5.5mm	<b>CAC110</b>		<b>CAC110FC</b>	
<b>*IN STOCK Demag</b>					
18mm	8/1.25mm	<b>CADM18</b>	\$276.00	<b>CADM18FC</b>	\$276.00
*22mm	10/1.5mm	<b>CADM22</b>	\$276.00	<b>CADM22FC</b>	\$276.00
*25mm	10/1.5mm	<b>CADM25</b>	\$324.00	<b>CADM25FC</b>	\$353.00
*30mm	12/1.75mm	<b>CADM30</b>	\$329.00	<b>CADM30FC</b>	\$359.00
*35mm	14/2mm	<b>CADM35</b>	\$335.00	<b>CADM35FC</b>	\$365.00
40mm	16/2mm	<b>CADM40</b>	\$347.00	<b>CADM40FC</b>	\$400.00
*45mm	TR20/3mm	<b>CADM45</b>	\$394.00	<b>CADM45FC</b>	\$500.00
*50mm	TR22/3mm	<b>CADM50</b>	\$429.00	<b>CADM50FC</b>	\$594.00
*60mm	TR27/3mm	<b>CADM60</b>	\$447.00	<b>CADM60FC</b>	\$706.00
*70mm	TR30/3mm	<b>CADM70</b>	\$565.00	<b>CADM70FC</b>	\$924.00
*80mm	TR35/3mm	<b>CADM80</b>	\$588.00	<b>CADM80FC</b>	\$1,206.00
95mm	TR40/3mm	<b>CADM95</b>	\$735.00	<b>CADM95FC</b>	\$1,324.00
110mm	TR50/3mm	<b>CADM110</b>	\$1641.00	<b>CADM110FC</b>	\$2,676.00

NOTE: This is just a short list of Screw Tips that we have. If you don't see the brand/type or size of the screw tip you need give us a call! We have PVC smear tips and ball checks as well!

# Screw Tips



Screw Diameter	Thread	H13		CPM9V	
		Part#	Price Ea.	Part#	Price Ea.
<b>Eagan</b>					
1 3/4"	3/4"-10	<b>CAE44</b>	\$342.86	<b>CAE44FC</b>	\$421.43
2"	7/8"-9	<b>CAE51</b>	\$364.29	<b>CAE51FC</b>	\$471.43
2 1/2"	1 1/8"-7	<b>CAE64</b>	\$400.00	<b>CAE64FC</b>	\$621.43
3"	1 5/8"-6	<b>CAE76</b>	\$492.86	<b>CAE76FC</b>	\$900.00
3 1/2"	1 3/4"-6	<b>CAE89</b>	\$585.71	<b>CAE89FC</b>	\$1,150.00
4"	2"-6	<b>CAE102</b>	\$657.14	<b>CAE102FC</b>	\$1,350.00
4 1/2"	2 1/4"-6	<b>CAE114</b>	\$807.14	<b>CAE114FC</b>	\$1,885.71
5 1/4"	2 3/4"-6	<b>CAE133</b>	\$1,064.29	<b>CAE133FC</b>	\$2,914.29
6"	3"-6	<b>CAE152</b>	\$1,250.00	<b>CAE152FC</b>	\$3,642.86
<b>Engel</b>					
18mm 10°	10/1.5mm	<b>CAEN18</b>	\$242.86	<b>CAEN18FC</b>	\$257.14
22mm 30°	12/1.75mm	<b>CAEN22A</b>	\$250.00	<b>CAEN22AFC</b>	\$264.29
25mm	12/1.75mm	<b>CAEN25</b>	\$271.43	<b>CAEN25FC</b>	\$292.86
30mm	12/1.75mm	<b>CAEN30</b>	\$292.86	<b>CAEN30FC</b>	\$328.57
35mm	12/1.75mm	<b>CAEN35</b>	\$307.14	<b>CAEN35FC</b>	\$371.43
35mm	16/2mm	<b>CAEN35A</b>	\$335.71	<b>CAEN35AFC</b>	\$400.00
40mm	16/2mm	<b>CAEN40A</b>	\$342.86	<b>CAEN40AFC</b>	\$385.71
45mm	20/2.5mm	<b>CAEN45</b>	\$350.00	<b>CAEN45FC</b>	\$428.57
50mm	24/3mm	<b>CAEN50</b>	\$371.43	<b>CAEN50FC</b>	\$535.71
55mm	24/3mm	<b>CAEN55</b>	\$450.00	<b>CAEN55FC</b>	\$607.14
60mm	30/3.5mm	<b>CAEN60</b>	\$428.57	<b>CAEN60FC</b>	\$671.43
70mm	30/4mm	<b>CAEN70</b>	\$535.71	<b>CAEN70FC</b>	\$928.57
80mm	30/2mm	<b>CAEN80</b>	\$628.57	<b>CAEN80FC</b>	\$1,207.14
90mm	42/4.5mm	<b>CAEN90</b>	\$992.86	<b>CAEN90FC</b>	Call
<b>Fahr Bucher</b>					
50mm	18/1.5mm	<b>CAFB50</b>	\$392.86	<b>CAFB50FC</b>	\$571.43
60mm	20/1.5mm	<b>CAFB60A</b>	\$428.57	<b>CAFB60AFC</b>	\$714.29
<b>Farrel</b>					
1 1/4"	1/2"-13	<b>CAL32</b>	\$321.43	<b>CAL32FC</b>	\$392.86
1 5/8"	3/4"-10	<b>CAL41</b>	\$342.86	<b>CAL41FC</b>	\$414.29
2.1"	1"-8	<b>CAU53</b>	\$392.86	<b>CAU53FC</b>	\$535.71
2 1/2"	1"-8	<b>CAU64</b>	\$450.00	<b>CAU64FC</b>	\$735.71
2.80"	1 3/8"-8	<b>CAU70</b>	\$485.71	<b>CAU70FC</b>	\$864.29
3 1/4"	1 1/2"-8	<b>CAU83</b>	\$592.86	<b>CAU83FC</b>	\$1,185.71
3.60"	1 5/8"-8	<b>CAU91</b>	\$707.14	<b>CAU91FC</b>	\$1,400.00
4 1/4"	2"-8	<b>CAU108</b>	\$857.14	<b>CAU108FC</b>	\$2,142.86
4 3/4"	2 1/4"-8	<b>CAU121</b>	\$1,014.29	<b>CAU121FC</b>	\$2,721.43
<b>Fellows/Egan</b>					
1 3/4"	3/4"-10	<b>CAE44</b>	\$342.86	<b>CAE44FC</b>	\$421.43
2"	7/8"-9	<b>CAE51</b>	\$364.29	<b>CAE51FC</b>	\$471.43
2 1/2"	1 1/8"-7	<b>CAE64</b>	\$400.00	<b>CAE64FC</b>	\$621.43
3"	1 5/8"-6	<b>CAE76</b>	\$492.86	<b>CAE76FC</b>	\$900.00

**NOTE: This is just a short list of Screw Tips that we have. If you don't see the brand/type or size of the screw tip you need give us a call! We have PVC smear tips and ball checks as well!**

featuring the best of:

Northern Supply (800-365-6565) • Nickerson Machinery (800-821-9534) • OHS (Ontario-888-809-7050/Quebec-888-475-9224)

# Screw Tips

Screw Diameter	Thread	H13		CPM9V	
		Part Number	Price Each	Part Number	Price Each
<b>Ferromatik/Milacron</b>					
25mm	12/1mm	CAF25	Call for Quote	CAF25FC	Call for Quote
30mm	16/1.5mm	CAF30		CAF30FC	
40mm	—	CAF40		CAF40FC	
<b>*IN STOCK HPM (new style)</b>					
1-3/8"	5/8"-11	CAH35	\$353.00	CAH35FC	\$412.00
*1-1/2"	5/8"-11	CAH38	\$353.00	CAH38FC	\$412.00
*1-3/4"	3/4"-10	CAH44	\$353.00	CAH44FC	\$441.00
*2"	7/8"-9	CAH51	\$353.00	CAH51FC	\$441.00
*2-1/2"	1-1/8"-7	CAH64	\$388.00	CAH64FC	\$541.00
*3"	1-5/8"-6	CAH76	\$465.00	CAH76FC	\$841.00
3-1/2"	1-3/4"-6	CAH89	\$524.00	CAH89FC	\$1,071.00
4-1/2"	2-1/4"-6	CAHH114	\$1,053.00	CAHH114FC	\$1,818.00
<b>Impco</b>					
2 3/8"	1 3/8"-6	CAI60	Call for Quote	CAI60FC	Call for Quote
2 1/2"	1 1/2"-6	CAI64A		CAI64AFC	
2 13/16"	1 1/2"-8	CAI71A		CAI71AFC	
3 1/4"	2"-8	CAI83A		CAI83AFC	
4 1/4"	2 1/4"-4.5	CAI108		CAI108FC	
4 3/4"	2 3/4"-4	CAI121		CAI121FC	
<b>Jaco</b>					
1 1/4"	5/8"-11	CAJ32	Call	CAJ32FC	Call
<b>*IN STOCK JSW</b>					
25mm	12/1.75mm	CAJS25	\$353.00	CAJS25FC	\$412.00
*28mm	16/2mm	CAJS28	\$353.00	CAJS28FC	\$412.00
*32mm	16/2mm	CAJS32	\$406.00	CAJS32FC	\$465.00
32mm	18/2.5mm	CAJS32A	\$406.00	CAJS32AFC	\$465.00
*35mm	TR20/3mm	CAJS35	\$429.00	CAJS35FC	\$512.00
*40mm	TR22/2mm	CAJS40	\$429.00	CAJS40FC	\$512.00
*40mm	20/2.5mm	CAJS40A	\$429.00	CAJS40AFC	\$512.00
45mm	TR24/3mm	CAJS45	\$447.00	CAJS45FC	\$547.00
45mm	TR27/3mm	CAJS45A	\$447.00	CAJS45AFC	\$547.00
46mm	TR24/3mm	CAJS46	\$471.00	CAJS46FC	\$612.00
51mm	TR27/3mm	CAJS51	\$524.00	CAJS51FC	\$665.00
53mm	TR28/3mm	CAJS53	\$541.00	CAJS53FC	\$682.00
58mm	TR36/3mm	CAJS58	\$612.00	CAJS58FC	\$853.00
66mm	TR36/3mm	CAJS66	\$688.00	CAJS66FC	\$971.00
72mm	TR40/3mm	CAJS72	\$771.00	CAJS72FC	\$1,053.00
84mm	TR47/3mm	CAJS84	\$1,065.00	CAJS84FC	\$1,453.00
99mm	TR60/3mm	CAJS99	\$1,194.00	CAJS99FC	\$1,859.00

NOTE: This is just a short list of Screw Tips that we have. If you don't see the brand/type or size of the screw tip you need give us a call! We have PVC smear tips and ball checks as well!

# Screw Tips



Screw Diameter	Thread	H13		CPM9V	
		Part#	Price Ea.	Part#	Price Ea.
<b>Klockner Ferromatik</b>					
30mm	16/1.5mm	<b>CAKF30</b>	\$400.00	<b>CAKF30FC</b>	\$528.57
40mm	20/1.5mm	<b>CAKF40</b>	\$414.29	<b>CAKF40FC</b>	\$542.86
45mm	20/1.5mm	<b>CAKF45</b>	\$471.43	<b>CAKF45FC</b>	\$607.14
60mm	30/2mm	<b>CAKF60</b>	\$585.71	<b>CAKF60FC</b>	\$764.29
<b>Krauss-Maffei</b>					
40mm	20/2.5mm	<b>CAKM40</b>	\$378.57	<b>CAKM40FC</b>	\$521.43
<b>Lester</b>					
2 1/2"	1 3/8"-8	<b>CALS64</b>	\$514.29	<b>CALS64FC</b>	\$714.29
<b>Lombard</b>					
1 5/8"	3/4"-10	<b>CAL41</b>	\$342.86	<b>CAL41FC</b>	\$421.43
2"	1"-8	<b>CAL51</b>	\$378.57	<b>CAL51FC</b>	\$514.29
2 1/2"	1 1/4"-7	<b>CAL64</b>	\$442.86	<b>CAL64FC</b>	\$700.00
2 3/4"	1 3/8"-6	<b>CAL70</b>	\$492.86	<b>CAL70FC</b>	\$850.00
3"	1 1/2"-6	<b>CAL76</b>	\$578.57	<b>CAL76FC</b>	\$1,142.86
3 1/2"	1 5/8"-8	<b>CAL89</b>	\$621.43	<b>CAL89FC</b>	\$1,300.00
<b>Mitsubishi</b>					
36mm	22/2.5mm	<b>CAMI36</b>	\$342.86	<b>CAMI36FC</b>	\$407.14
50mm	27/3mm	<b>CAMI50</b>	\$414.29	<b>CAMI50FC</b>	\$628.57
<b>Natco</b>					
1 7/8"	1 1/8"-6	<b>CAN48</b>	\$392.86	<b>CAN48FC</b>	\$578.57
2 1/4"	1 1/8"-6	<b>CAN57</b>	\$421.43	<b>CAN57FC</b>	\$750.00
70mm	1 1/8"-6	<b>CAN70</b>	\$571.43	<b>CAN70FC</b>	\$1,142.86
90mm	1 1/2"-6	<b>CAN91</b>	\$771.43	<b>CAN91FC</b>	\$1,892.86
105mm	1 3/4"-6	<b>CAN105</b>	\$964.29	<b>CAN105FC</b>	\$2,592.86
<b>Negri Bossi (many other sizes not listed)</b>					
25mm	10/1.5mm	<b>CANG25</b>	\$278.57	<b>CANG25FC</b>	\$335.71
35mm	16/1.5mm	<b>CANG35</b>	\$314.29	<b>CANG35FC</b>	\$385.71
38mm	16/1.5mm	<b>CANG38</b>	\$328.57	<b>CANG38FC</b>	\$407.14
45mm	22/2mm	<b>CANG45</b>	\$371.43	<b>CANG45FC</b>	\$528.57
50mm	22/2mm	<b>CANG50</b>	\$392.86	<b>CANG50FC</b>	\$578.57
60mm	26/2mm	<b>CANG60</b>	\$464.29	<b>CANG60FC</b>	\$800.00
<b>Netstal</b>					
32mm	16/2mm	<b>CANE32</b>	\$342.86	<b>CANE32FC</b>	\$407.14
40mm long	18/2.5mm	<b>CANE40</b>	\$350.00	<b>CANE40FC</b>	\$414.29
45mm	20/2.5mm	<b>CANE45</b>	\$371.43	<b>CANE45FC</b>	\$528.57
50mm	20/2mm	<b>CANE50</b>	\$385.71	<b>CANE50FC</b>	\$642.86
<b>New Britain (HPM)</b>					
30mm	TR18/3mm	<b>CANB30</b>	\$321.43	<b>CANB30FC</b>	\$414.29
1 3/8"	9/16"-18	<b>CANB35</b>	\$328.57	<b>CANB35FC</b>	\$428.57
36mm	TR20/3mm	<b>CANB36</b>	\$342.86	<b>CANB36FC</b>	\$457.14
1 5/8"	3/4"-16	<b>CANB41</b>	\$364.29	<b>CANB41FC</b>	\$492.86

**NOTE: This is just a short list of Screw Tips that we have. If you don't see the brand/type or size of the screw tip you need give us a call! We have PVC smear tips and ball checks as well!**

featuring the best of:

**137**

Northern Supply (800-365-6565) • Nickerson Machinery (800-821-9534) • OHS (Ontario-888-809-7050/Quebec-888-475-9224)

**B**

# Screw Tips

Screw Diameter	Thread	H13		CPM9V	
		Part#	Price Ea.	Part#	Price Ea.
New Britain (HPM) continued...					
42mm	TR27/3mm	<b>CANB42</b>	\$378.57	<b>CANB42FC</b>	\$528.57
1 3/4"	3/4"-16	<b>CANB44</b>	\$371.43	<b>CANB44FC</b>	\$507.14
2"	1"-8	<b>CANB51</b>	\$414.29	<b>CANB51FC</b>	\$592.86
55mm	TR35/3mm	<b>CANB55</b>	\$407.14	<b>CANB55FC</b>	\$600.00
65mm	TR40/3mm	<b>CANB65</b>	\$442.86	<b>CANB65FC</b>	\$800.00
2 3/4"	1 3/8"-8	<b>CANB71</b>	\$550.00	<b>CANB71FC</b>	\$992.86
70mm	TR40/3mm	<b>CANB70</b>	\$557.14	<b>CANB70FC</b>	\$1,214.29
82mm	TR47/3mm	<b>CANB82</b>	\$700.00	<b>CANB82FC</b>	\$1,650.00
3 1/4"	1 1/2"-8	<b>CANB83</b>	\$650.00	<b>CANB83FC</b>	\$1,428.57
3 1/2"	1 3/4"-8	<b>CANB89</b>	\$707.14	<b>CANB89FC</b>	\$1,635.71
<b>Newbury</b>					
1"	1/2"-13	<b>CANY25</b>	\$257.14	<b>CANY25FC</b>	\$278.57
1 1/4"	5/8"-11	<b>CANY32</b>	\$278.57	<b>CANY32FC</b>	\$321.43
1 3/8"	5/8"-11	<b>CANY35</b>	\$292.86	<b>CANY35FC</b>	\$357.14
1 1/2"	3/4"-10	<b>CANY38</b>	\$307.14	<b>CANY38FC</b>	\$392.86
1 3/4"	7/8"-9	<b>CANY44</b>	\$335.71	<b>CANY44FC</b>	\$428.57
2"	1"-8	<b>CANY51</b>	\$357.14	<b>CANY51FC</b>	\$492.86
2 1/4"	1"-8	<b>CANY57</b>	\$392.86	<b>CANY57FC</b>	\$600.00
2 1/2"		<b>CANY64</b>	\$435.71	<b>CANY64FC</b>	\$735.71
<b>Niigata</b>					
30mm	16/1.5mm	<b>CANA30</b>	\$314.29	<b>CANA30FC</b>	\$385.71
40mm	20/2.5mm	<b>CANA40</b>	\$350.00	<b>CANA40FC</b>	\$485.71
52mm	27/3mm	<b>CANA52</b>	\$492.86	<b>CANA52FC</b>	\$777.14
60mm	30/3.5mm	<b>CANA60</b>	\$507.14	<b>CANA60FC</b>	\$800.00
76mm	42/3mm	<b>CANA76</b>	\$635.71	<b>CANA76FC</b>	\$1,321.43
82mm	48/3mm	<b>CANA82</b>	\$664.29	<b>CANA82FC</b>	\$1,471.43
<b>Nissei</b>					
19mm	10/1.5mm	<b>CANI19</b>	\$285.71	<b>CANI19FC</b>	\$300.00
28mm	TR14/2mm	<b>CANI28</b>	\$278.57	<b>CANI28FC</b>	\$321.43
30mm	TR16/2mm	<b>CANI30</b>	\$292.86	<b>CANI30FC</b>	\$328.57
32mm	TR18/2mm	<b>CANI32</b>	\$300.00	<b>CANI32FC</b>	\$364.29
36mm	TR20/2mm	<b>CANI36</b>	\$307.14	<b>CANI36FC</b>	\$371.43
38mm	TR22/3mm	<b>CANI38A</b>	\$328.57	<b>CANI38AFC</b>	\$400.00
40mm	TR24/3mm	<b>CANI40</b>	\$335.71	<b>CANI40FC</b>	\$435.71
44mm	TR26/3mm	<b>CANI44</b>	\$371.43	<b>CANI44FC</b>	\$535.71
45mm	TR26/3mm	<b>CANI45</b>	\$357.14	<b>CANI45FC</b>	\$514.29
50mm	TR28/3mm	<b>CANI50</b>	\$385.71	<b>CANI50FC</b>	\$600.00
56mm	TR32/3mm	<b>CANI56</b>	\$421.43	<b>CANI56FC</b>	\$678.57
63mm	TR36/3mm	<b>CANI63</b>	\$450.00	<b>CANI63FC</b>	\$878.57

**NOTE: This is just a short list of Screw Tips that we have. If you don't see the brand/type or size of the screw tip you need give us a call! We have PVC smear tips and ball checks as well!**

# Screw Tips



Screw Diameter	Thread	H13		CPM9V	
		Part#	Price Ea.	Part#	Price Ea.
Nissei continued...					
64mm	TR40/3mm	<b>CANI64</b>	\$485.71	<b>CANI64FC</b>	\$878.57
71mm	TR44/3mm	<b>CANI71</b>	\$514.29	<b>CANI71FC</b>	\$1,035.71
75mm	TR44/3mm	<b>CANI75</b>	\$592.86	<b>CANI75FC</b>	\$1,250.00
80mm	TR48/3mm	<b>CANI80</b>	\$592.86	<b>CANI80FC</b>	\$1,435.71
84mm	TR52/3mm	<b>CANI84</b>	\$714.29	<b>CANI84FC</b>	\$1,542.86
90mm		<b>CANI90</b>	\$721.43	<b>CANI90FC</b>	\$1,707.14
<b>Reed Prentice</b>					
1 5/8"	7/8"-9	<b>CAR41</b>	\$357.14	<b>CAR41FC</b>	\$428.57
1 3/4" TC	3/4"-10	<b>CAR44</b>	\$385.71	<b>CAR44FC</b>	\$521.43
2" TD	1"-8	<b>CAR51</b>	\$407.14	<b>CAR51FC</b>	\$557.14
2 1/8" TC	1"-8	<b>CAR54</b>	\$428.57	<b>CAR54FC</b>	\$657.14
2 1/2" TD	1 1/4"-8	<b>CAR64</b>	\$492.86	<b>CAR64FC</b>	\$821.43
3" TD	1 3/8"-8	<b>CAR76</b>	\$585.71	<b>CAR76FC</b>	\$1,192.86
3 5/16" TC	1 3/4"-5	<b>CAR84</b>	\$678.57	<b>CAR84FC</b>	\$1,528.57
3 3/4" TD	1 7/8"-8	<b>CAR95</b>	\$792.86	<b>CAR95FC</b>	\$1,914.29
<b>STM (See Krauss-Maffei)</b>					
<b>Stokes</b>					
1 1/4"	9/16"-18	<b>CAS32</b>	\$314.29	<b>CAS32FC</b>	\$371.43
1 3/8"	5/8"-18	<b>CAS35</b>	\$328.57	<b>CAS35FC</b>	\$400.00
1 5/8"	3/4"-16	<b>CAS41</b>	\$350.00	<b>CAS41FC</b>	\$435.71
1 7/8"	7/8"-14	<b>CAS48</b>	\$371.43	<b>CAS48FC</b>	\$521.43
2"	1"-12	<b>CAS51</b>	\$407.14	<b>CAS51FC</b>	\$628.57
2 1/2"	1 1/8"-12	<b>CAS64</b>	\$471.43	<b>CAS64FC</b>	\$821.43
2 3/4"	1 1/4"-12	<b>CAS70</b>	\$492.86	<b>CAS70FC</b>	\$878.57
3"	1 3/8"-12	<b>CAS76</b>	\$557.14	<b>CAS76FC</b>	\$1,100.00
4"	1 3/4"-12	<b>CAS102</b>	\$835.71	<b>CAS102FC</b>	\$2,050.00
<b>Sumitomo</b>					
18mm	9/1mm	<b>CASM18</b>	\$300.00	<b>CASM18FC</b>	\$342.86
20mm	10/1.25mm	<b>CASM20</b>	\$300.00	<b>CASM20FC</b>	\$342.86
32mm	18/2mm	<b>CASM32</b>	\$364.29	<b>CASM32FC</b>	\$478.57
63mm	33/3mm	<b>CASM63</b>	\$557.14	<b>CASM63FC</b>	\$978.57
<b>Toshiba</b>					
25mm	12/1.5mm	<b>CAT25</b>	\$271.43	<b>CAT25FC</b>	\$292.86
28mm	15/1.5mm	<b>CAT28</b>	\$285.71	<b>CAT28FC</b>	\$314.29
32mm	18/2mm	<b>CAT32</b>	\$314.29	<b>CAT32FC</b>	\$392.86
36mm	22/2mm	<b>CAT36</b>	\$321.43	<b>CAT36FC</b>	\$378.57
40mm	22/2mm	<b>CAT40</b>	\$350.00	<b>CAT40FC</b>	\$421.43
45mm	26/1.5mm	<b>CAT45</b>	\$371.43	<b>CAT45FC</b>	\$514.29
50mm	28/2mm	<b>CAT50</b>	\$421.43	<b>CAT50FC</b>	\$664.29
55mm	28/2mm	<b>CAT55</b>	\$400.00	<b>CAT55FC</b>	\$678.57

**NOTE: This is just a short list of Screw Tips that we have. If you don't see the brand/type or size of the screw tip you need give us a call! We have PVC smear tips and ball checks as well!**

featuring the best of:

Northern Supply (800-365-6565) • Nickerson Machinery (800-821-9534) • OHS (Ontario-888-809-7050/Quebec-888-475-9224)

B

# Screw Tips

Screw Diameter	Thread	H13		CPM9V	
		Part Number	Price Each	Part Number	Price Each
<b>Toshiba continued...</b>					
60mm	28/2mm	CAT60	Call for Quote	CAT60FC	Call for Quote
70mm	32/2mm	CAT70		CAT70FC	
80mm		CAT80		CAT80FC	
85mm	42/3mm	CAT85		CAT85FC	
100mm	45/4mm	CAT100A		CAT100AFC	
115mm	60/4mm	CAT115		CAT115FC	
<b>*IN STOCK Toyo</b>					
*24mm	12/1.5mm	CATY24	\$335.00	CATY24FC	\$347.00
*28mm	16/2mm	CATY28	\$335.00	CATY28FC	\$347.00
*32mm	18/2.5mm	CATY32	\$347.00	CATY32FC	\$359.00
*36mm	18/2.5mm	CATY36	\$347.00	CATY36FC	\$359.00
*40mm	22/2.5mm	CATY40	\$371.00	CATY40FC	\$406.00
*46mm	24/3mm	CATY46	\$382.00	CATY46FC	\$453.00
*50mm	27/3mm	CATY50	\$424.00	CATY50FC	\$541.00
*55mm	27/3mm	CATY55	\$447.00	CATY55FC	\$629.00
*60mm	30/3mm	CATY60	\$471.00	CATY60FC	\$841.00
*68mm	33/3.5mm	CATY68	\$512.00	CATY68FC	\$918.00
*75mm	36/4mm	CATY75	\$582.00	CATY75FC	\$1,012.00
*83mm	38/4mm	CATY83	\$647.00	CATY83FC	\$1,406.00
<b>Trueblood</b>					
1"	1/2"-13	CATR25	Call for Quote	CATR25FC	Call for Quote
1 1/4"	5/8"-11	CATR32		CATR32FC	
1 3/8"	5/8"-11	CATR35		CATR35FC	
1 1/2"	5/8"-11	CATR38		CATR38FC	
1 3/4"	3/4"-10	CATR44		CATR44FC	
2"	7/8"-9	CATR51		CATR51FC	
<b>*IN STOCK Trubor</b>					
*25mm	1/2"-13	CATB25	\$278.57	CATB25FC	\$292.86
*28mm	1/2"-13	CATB28	\$285.71	CATB28FC	\$314.29
*31mm	5/8"-11	CATB31	\$292.86	CATB31FC	\$364.29
*35mm	5/8"-11	CATB35	\$328.57	CATB35FC	\$392.86
<b>*IN STOCK Van Dorn</b>					
*30mm	5/8"-11	CAV30	\$265.00	CAV30FC	\$324.00
*35mm	3/4"-10	CAV35	\$271.00	CAV35FC	\$335.00
*38mm	3/4"-10	CAV38	\$288.00	CAV38FC	\$365.00
*40mm	3/4"-10	CAV40	\$300.00	CAV40FC	\$376.00
*50mm	1"-8	CAV50	\$324.00	CAV50FC	\$500.00
*57mm	1 1/4"-7	CAV57	\$347.00	CAV57FC	\$571.00
*65mm	1 3/8"-6	CAV65	\$371.00	CAV65FC	\$765.00
*69mm	1 3/8"-6	CAV69	\$424.00	CAV69FC	\$924.00
*75mm	1 3/8"-6	CAV75	\$547.00	CAV75FC	\$1,041.00
*80mm	1 3/8"-6	CAV80	\$559.00	CAV80FC	\$1,118.00
*90mm	1 3/4"-8	CAV90	\$676.00	CAV90FC	\$1,409.00
*105mm	1 3/4"-8	CAV105	\$882.00	CAV105FC	\$1,547.00
115mm	2"-8	CAV115	\$1,400.00	CAV115FC	\$1,824.00

NOTE: This is just a short list of Screw Tips that we have. If you don't see the brand/type or size of the screw tip you need give us a call! We have PVC smear tips and ball checks as well!

# C2 Combination Valve



**CPM and Colmonoy combined for superior performance  
A Lower Cost Alternative to CPM!**

- Substantial savings on larger size valves over full CPM
- Excellent performance in filled and high abrasion material
- Also available with CPM-420V-HT ring & seat for corrosive materials #56 welded to the face.



We are proud to offer a high performance valve, designed to wear well in abrasive materials and offer a viable alternative to more costly metals. The check ring and rear seat on the C2 Combination Valve® are made of CPM-9V. These parts are known as the "wear components" since they receive the majority of the wear from abrasion and cycling. The retainer is made of Nitralloy 135M, Nitrided with Colmonoy welded to the face.

Press Make	Size Dia.	Thread Size	Part Number	Price (Complete Valve)	Press Make	Size Dia.	Thread Size	Part Number	Price (Complete Valve)
Beloit	3.5"	1.75-5LH	BEA-350C2	\$891	Engel	70 mm	M36 x 4.0RH	ENA-70C2	\$732
Bucher	60 mm	M24 x 1.5LH	BUA-60C2	\$592	Farrel	2.8"	1 3/8-8LH	FAA-280C2	\$677
	75 mm	M30 x 2.0LH	BUA-75C2	\$744		3 1/4"	1 1/2-12LH	FAA-314C2	\$817
Cincinnati-Metric	65 mm	M30 x 3.5LH	CNA-65C2	\$653		3.6"	1 5/8-8LH	FAA-360C2	\$1,092
	70 mm	M36 x 4.0LH	CNA-70C2	\$695		4 1/4"	2"-8LH	FAA-414C2	\$1,202
	80 mm	M42 x 4.5LH	CNA-80C2	\$781		4 3/4"	2 1/4-8LH	FAA-434C2	\$1,488
	90 mm	M48 x 5.0LH	CNA-90C2	\$939		HPM	2 3/4"	2 3/8-8LH	HPA-234C2
	100 mm	M52 x 5.0LH	CNA-100C2	\$1,275	3"		1 5/8-6LH	HPA-300C2	\$708
110 mm	M56 x 5.5LH	CNA-110C2	\$1,391	3 1/2"	1 3/4-6LH		HPA-312C2	\$836	
Cincinnati-Inches	2 1/2"	1 1/4-7LH	CNA-234C2	\$665	4"		2"-6LH	HPA-400C2	\$1,007
	2 1/2"	1 1/4-12LH	CNA-234CX	\$665	4 1/2"		2 1/4-6LH	HPA-412C2	\$1,177
	2 3/4"	1 1/4-7LH	CNA-234C2	\$665	5 1/4"		2 3/4-6LH	HPA-514C2	\$1,610
	2 3/4"	1 1/4-12LH	CNA-234CX	\$665	6"	3"-6LH	HPA-600C2	\$1,879	
	3 1/4"	1 1/2-12LH	CNA-314C2	\$830	JSW	92 mm	TR48 X 3.0LH	JSA-92C2	\$1,080
	3 1/2"	1 1/2-6LH	CNA-312C2	\$939	Kawaguchi	58 mm	Specify	KWA-58C2	\$586
	3 1/2"	1 1/2-12LH	CNA-312CX	\$939		60 mm	Specify	KWA-60C2	\$634
	4 1/2"	2"-6LH	CNA-412C2	\$1,312		70 mm	Specify	KWA-70C2	\$726
	4 1/2"	2"-12LH	CNA-412CX	\$1,312		72 mm	Specify	KWA-72C2	\$799
	5 1/4"	2 1/4-6LH	CNA-514C2	\$1,739		Lombard	2 3/4"	1 3/8-6LH	LBA-234C2
	5 1/4"	2 1/4-12LH	CNA-514CX	\$1,739	3 1/4"		1 1/2-8LH	LBA-314C2	\$811
	6"	2 1/2-6LH	CNA-600C2	\$2,227	3 1/2"		1 5/8-8LH	LBA-312C2	\$885
Egan	6"	2 1/2-12LH	CNA-600CX	\$2,227	Mitsubishi	50 mm	M27 x 3.0LH	MSA-50C2	\$531
	3"	1 5/8-6LH	EGA-300C2	\$689		80 mm	M45 x 4.5LH	MSA-80C2	\$799
	3 1/2"	1 3/4-6LH	EGA-312C2	\$811					
	4"	2"-6LH	EGA-400C2	\$946					
	4 1/2"	2 1/4-6LH	EGA-412C2	\$1,153					
	5 1/4"	2 3/4-6LH	EGA-514C2	\$1,580					
	6"	3"-6LH	EGA-600C2	\$1,806					

**B**

featuring the best of:

**141**

## C2- COMBINATION VALVE

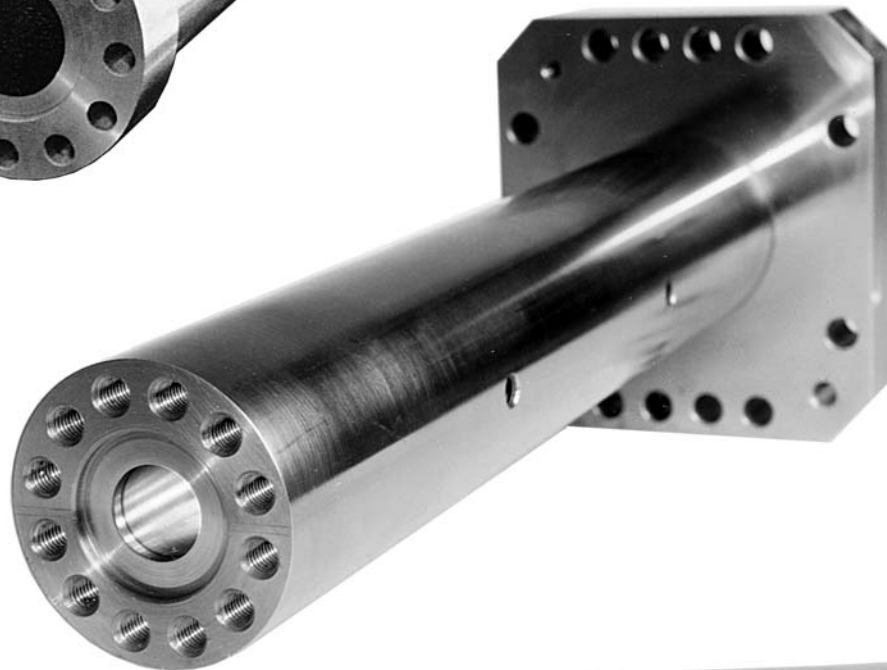
Please Call If You Don't See Your Size Or Make Listed

Press Make	Size Dia.	Thread Size	Part Number	Price (Complete Valve)	Press Make	Size Dia.	Thread Size	Part Number	Price (Complete Valve)	
Natco	2 1/4"	Specify	<b>NAA-214C2</b>	\$604	Toshiba	50 mm short	M28x2LH	<b>TSA-50C2</b>	\$561	
	2.8"	Specify	<b>NAA-280C2</b>	\$714		50 mm long	M28x2LH	<b>TSA-50C2LN</b>	\$610	
	70 mm	Specify	<b>NAA-70C2</b>	\$738		55 mm short	M28x2LH	<b>TSA-55C2</b>	\$616	
	90 mm	Specify	<b>NAA-90C2</b>	\$1,019		55 mm long	M28x2LH	<b>TSA-55C2LN</b>	\$720	
	105 mm	Specify	<b>NAA-105C2</b>	\$1,244		60 mm short	M28x2LH	<b>TSA-60C2</b>	\$665	
Negri Bossi	60 mm	M26 x 2.0LH	<b>NGA-60C2</b>	\$628		60 mm long	M28x2LH	<b>TSA-60C2LN</b>	\$756	
New Britain	65 mm	TR40 x 3.0LH	<b>NTA-65C2</b>	\$647		70mm-Short	M32x2LH	<b>TSA-70C2</b>	\$805	
	70 mm	TR40 x 3.0LH	<b>NTA-70C2</b>	\$744		70mm-long	M32x2LH	<b>TSA-70C2LN</b>	\$897	
	82 mm	TR47 x 3.0LH	<b>NTA-82C2</b>	\$903		80 mm short	M42x3LH	<b>TSA-80C2</b>	\$854	
	2 3/4"	1 3/8-8LH	<b>NTA-234C2</b>	\$720		80 mm long	M42x3LH	<b>TSA-80C2LN</b>	\$1,043	
	3 1/4"	1 1/2-8LH	<b>NTA-314C2</b>	\$860		85 mm	M42x3LH	<b>TSA-85C2</b>	\$885	
	3 1/2"	1 3/4-8LH	<b>NTA-312C2</b>	\$952		100 mm	M45x4LH	<b>TSA-100C2</b>	\$1,495	
Niigata	82 mm	M48 x 3.0LH	<b>NIA-82C2</b>	\$860		115 mm	M60x4LH	<b>TSA-115C2</b>	\$1,879.00	
Nissei	58 mm	TR36 x 3.0LH	<b>NSA-58C2</b>	\$622		Toyo	68 mm	M33x3LH	<b>TYA-68C2</b>	\$744
	64 mm	TR40 x 3.0LH	<b>NSA-64C2</b>	\$665			75 mm	M36x4LH	<b>TYA-75C2</b>	\$787
	75 mm	TR44 x 3.0LH	<b>NSA-75C2</b>	\$824			88 mm	M39x4LH	<b>TYA-88C2</b>	\$1,312
	90 mm	TR55 x 3.0LH	<b>NSA-90C2</b>	\$1,000		Van Dorn	69 mm	1 3/8-6LH	<b>VDA-69C2</b>	\$708
Reed	2 1/2"	1 1/4-8LH	<b>RDA-212C2</b>	\$659	75 mm		1 3/8-6LH	<b>VDA-75C2</b>	\$750	
	3"	1 3/8-8LH	<b>RDA-300C2</b>	\$781	80 mm		1 3/8-6LH	<b>VDA-80C2</b>	\$824	
	3 5/16"	1 3/4-5LH	<b>RDA-356C2</b>	\$885	90 mm		1 3/4-8LH	<b>VDA-90C2</b>	\$1,007	
	3 3/4"	1 7/8-8LH	<b>RDA-334C2</b>	\$1,122	105 mm		1 3/4-8LH	<b>VDA-105C2</b>	\$1,281	
Stokes	2 1/2"	1 1/8-12LH	<b>STA-212C2</b>	\$659	115 mm	1 3/4-8LH	<b>VDA-115C2</b>	\$1,336		
	3 3/4"	1 1/4-12LH	<b>STA-334C2</b>	\$702						
	3"	1 3/8-12LH	<b>STA-300C2</b>	\$793						
	4"	1 3/4-12LH	<b>STA-400C2</b>	\$1,177						
TMC	55 mm	M27 x 3LH	<b>TMA-55C2</b>	\$610						
	64 mm	M30 x 3LH	<b>TMA-64C2</b>	\$720						
	70 mm	M35 x 3LH	<b>TMA-70C2</b>	\$726						
	80 mm	M45 x 3LH	<b>TMA-80C2</b>	\$933						
	100 mm	M50 x 3LH	<b>TMA-100C2</b>	\$1,129						

## **BARREL RESLEEVE/REPAIR ~HIGH QUALITY, LOW PRICES**

■ Better than the Competition  
and much cheaper - compare!

■ Quicker  
turnaround time;  
less down time!



■ Available in  
D-2 steel,  
CPM-10V and  
CPM-420V



**B**

# New Barrels

## VAN DORN

Size (mm)	Length (in.)	Nitraloy/Nitrided Part No.	Price	D-2- Heat Treated Part No.	Price	CPM-10V or 440V Part No.	Price
30	27.55	VDB30N	\$907	VDB30D	\$1,451	VDB30	\$2,083
35	32.90	VDB35N	\$1,082	VDB35D	\$1,685	VDB35	\$2,574
38	34.78	VDB38N	\$1,176	VDB38D	\$1,919	VDB38	\$2,902
40	36.37	VDB40N	\$1,316	VDB40D	\$1,960	VDB40	\$3,077
50	47.69	VDB50N	\$2,182	VDB50D	\$2,937	VDB50	\$4,563
57	52.74▼	VDB57N	\$2,422◆	VDB57D	\$3,299◆	VDB57	\$5,511◆
65	58.39▼	VDB65N	\$2,510◆	VDB65D	\$3,814◆	VDB65	\$7,032◆
69	68.69	VDB69N	\$3,551	VDB69D	\$4,545	VDB69	\$7,833
75	71.44	VDB75N	\$4,382	VDB75D	\$5,727	VDB75	\$10,050
80	73.23	VDB80N	\$4,627	VDB80D	\$5,938	VDB80	\$10,518
90	81.48▼	VDB90N	\$6,464	VDB90D	\$8,038	VDB90	\$14,485
105	92.09▼	VDB105N	\$9,693	VDB105D	\$11,156	VDB105	\$21,019
115	131.69	VDB115N	CALL	VDB115D	CALL	VDB115	CALL
		Standard Bimetallic		Carbide Bimetallic		Durocast®**	
30	27.55	VDB30B	\$2,311	VDB30CB	\$2,691	VDB3DC	\$3,481
35	32.90	VDB35B	\$2,691	VDB35CB	\$3,188	VDB35DC	\$3,949
38	34.78	VDB38B	\$2,726	VDB38CB	\$3,223	VDB38DC	\$3,978
40	36.37	VDB40B	\$2,726	VDB40CB	\$3,223	VDB40DC	\$3,978
50	47.69	VDB50B	\$3,627	VDB50CB	\$4,300	VDB50DC	\$5,411
57	52.74▼	VDB57B	\$3,920▲	VDB57CB	\$4,709	VDB57DC	\$5,850
65	58.39▼	VDB65B	\$4,388▲	VDB65CB	\$5,645	VDB65DC	\$6,815
69	68.69	VDB69B	\$5,207	VDB69CB	\$6,347	VDB69DC	\$8,366
75	71.44	VDB75B	\$5,558	VDB75CB	\$6,757	VDB75DC	\$8,892
80	73.23	VDB80B	\$5,441▲	VDB80CB	\$6,640	VDB80DC	\$8,775
90	81.48▼	VDB90B	\$6,377▶	VDB90CB	\$8,336	VDB90DC	\$10,559
105	92.09▼	VDB105B	\$8,132	VDB105CB	\$9,565	VDB105DC	\$11,876
115	131.69	VDB115B	CALL	VDB115CB	CALL	VDB115DC	CALL



\*\* Registered Trademark of Wexco Corp.

**NOTES:**

- ▼ = Straight length
- ◆ = Straight End
- ▲ = Straight or Bell ~ Specify
- ▶ = Bell End

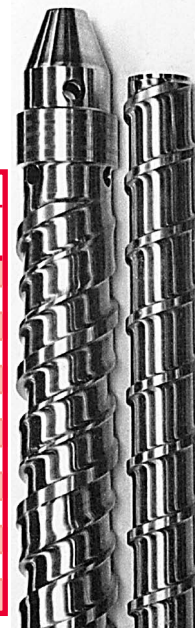
\*Add -10 or 420 To Part Number To Specify Steel Type

# New Feed Screws

## VAN DORN

Other Makes and Sizes of Screws Available--Call for Pricing and Availability!!

- High Quality
- Great Value
- Made to OEM Specs



New Van Dorn Screws To O.E.M. Specifications									
Size	Length	Nitraloy/Nitrided Part No.	Price	D-2- Heat Treated Part No.	Price	Stellite #12 Part No.	Price	CPM-9V Heat Treated Part No.	Price
30mm	31.48"	VDS30N	\$720	VDS30D	\$1,199	VDS30S	\$1,188	VDS-30V	\$1,258
35mm	35.34"	VDS35N	\$766	VDS35D	\$1,234	VDS35S	\$1,211	VDS-35V	\$1,433
38mm	36.81"	VDS38N	\$878	VDS38D	\$1,281	VDS38S	\$1,340	VDS-38V	\$1,580
40mm	38.18"	VDS40N	\$907	VDS40D	\$1,463	VDS40S	\$1,281	VDS-40V	\$1,784
50mm	49.40"	VDS50N	\$1,024	VDS50D	\$1,802	VDS50S	\$1,743	VDS-50V	\$2,480
57mm	54.33"	VDS57N	\$1,480	VDS57D	\$2,100	VDS57S	\$2,135	VDS-57V	\$3,042
65mm	59.69"	VDS65N	\$1,316	VDS65D	\$2,451	VDS65S	\$2,007	VDS-65V	\$4,329
69mm	68.25"	VDS69N	\$2,194	VDS69D	\$2,691	VDS69S	\$2,890	VDS-69V	\$4,961
75mm	72.50"	VDS75N	\$2,521	VDS75D	\$3,276	VDS75S	\$3,241	VDS-75V	\$6,476
80mm	75.81"	VDS80N	\$2,200	VDS80D	\$3,522	VDS80S	\$3,030	VDS-80V	\$7,447
90mm	85.62"	VDS90N	\$2,925			VDS90S	\$3,762	VDS-90V	\$10,273
105mm	95.87"	VDS105N	\$3,955			VDS105S	\$5,101	VDS-105V	Call
115mm	116.81"	VDS115N	\$4,908			VDS115S	\$6,183	VDS-115V	Call

***We have other models and sizes of new barrels and screws give us a call for quote. We have the fastest turnaround time and the best quality in the industry!***

**B**

