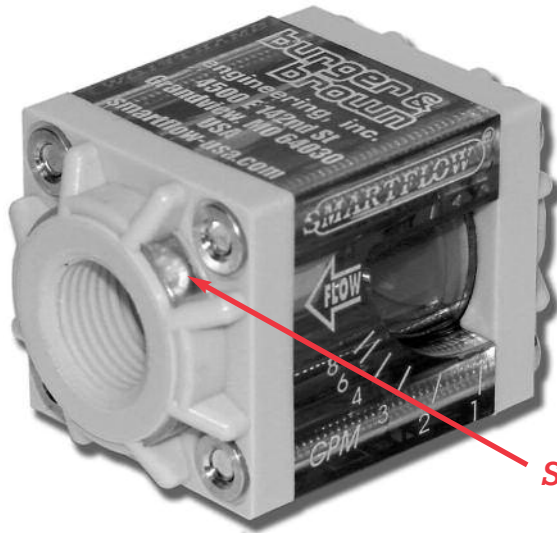


Small Mechanical Flowmeters

With Nylon End Caps



NEW! Reinforced Nylon End Caps reduce weight and cost of proven mechanical flowmeter design.

Stainless steel stabilizer ring holds threads stable, preventing distortion. Nylon material provides dielectric insulator to help prevent galvanic action due to dissimilar metals.

Stainless Steel Stabilizer Ring!

General Description

Smartflow® mechanical flowmeters are durable, vaneoperated devices that provide visual indication of flow rate in many different styles and sizes. Rugged wetted parts are compatible with many process liquids.

Optional temperature and pressure gauges add functionality and flexibility to Smartflow® flowmeters. Brass quick-connect fittings are available to create an excellent, portable tool for determining flow and locating clogged lines.

Features and Benefits

- Compact size works well in restricted-space locations.
- Rugged construction gives years of dependable service.
- Variety of inlet sizes provides exactly the right connection.
- 210°F (99°C) Temperature Rating allows installation into a wide range of applications.
- Optional Temperature and Pressure Gauges display pressure and temperature information in addition to flow in one unit.
- Common Flowmeter Configurations Stocked to provide same-day delivery in most cases.
- No Mounting Restrictions ease installation in any position without extra brackets or hardware.

Wetted Parts and Materials

End Caps	Glass-Filled Nylon
Flow Body	Polysulfone
Vane	Glass-Filled Nylon
Spring.....	Stainless Steel
O-Rings	EPDM
Cap Screws	Zinc-Plated Steel
Optional Quick-Connect Fittings.....	Brass

Specifications

Flow Accuracy	± 10% full scale
Operating Temperature.....	210°F max. (99°C max.)
Operating Pressure	75 psi max. (5.2 bar max.)
Dial Thermometer	0° to 250°F (-20° to 120°C) ±2% accuracy (full scale)
Pressure Gauge	0 to 100 psi (0 to 700 Kpa) ±3% accuracy (full scale)



featuring the best of:

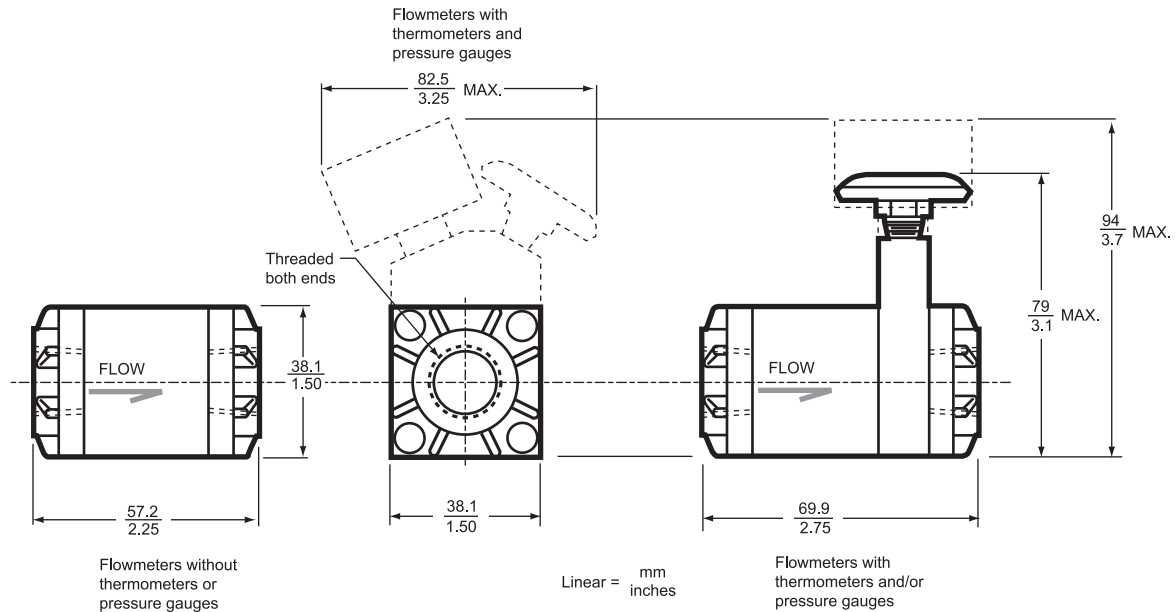
Northern Supply (800-365-6565) • Nickerson Machinery (800-821-9534) • OHS (Ontario-888-809-7050/Quebec-888-475-9224)

358a

E

Small Mechanical Flowmeters

With Nylon End Caps



Part Number	Inlet Size	Accessories	Price Each	
			1-4	5+
FP2A80	1/4" NPT Female	Flowmeter only	\$35.00	\$30.80
FP2B80		Flowmeter and thermometer	\$64.00	\$56.32
FP2C80		Flowmeter, thermometer and pressure gauge	\$88.00	\$77.44
FP2D80		Flowmeter, thermometer, pressure gauge and quick change socket and plug	\$94.00	\$82.72
FP2E80		Flowmeter, thermometer and quick change socket and plug	\$70.00	\$61.60
FP3A80	3/8" NPT Female	Flowmeter only	\$35.00	\$30.80
FP3B80		Flowmeter and thermometer	\$64.00	\$56.32
FP3C80		Flowmeter, thermometer and pressure gauge	\$88.00	\$77.44
FP3D80		Flowmeter, thermometer, pressure gauge and quick change socket and plug	\$94.00	\$82.72
FP3E80		Flowmeter, thermometer and quick change socket and plug	\$70.00	\$61.60
FP4A80	1/2" NPT Female	Flowmeter only	\$35.00	\$30.80
FP4B80		Flowmeter and thermometer	\$64.00	\$56.32
FP4C80		Flowmeter, thermometer and pressure gauge	\$88.00	\$77.44
FP4D80		Flowmeter, thermometer, pressure gauge and quick change socket and plug	\$107.00	\$94.16
FP4E80		Flowmeter, thermometer and quick change socket and plug	\$83.00	\$73.04