

# GPMS Rupture Disks



*DME Molding Supplies Line of GPMS Extruder Rupture Disks (Burst Plugs) are primarily used on Plastics Extrusion Machinery to provide emergency pressure relief. Extruder Rupture Disks from DME Molding Supplies are designed to instantaneously rupture at a pre-determined pressure. Extruder Rupture Disks are leak tight and intrinsically safe devices that require no maintenance.*



*The GPMS Line of Extruder Rupture Disk assemblies are manufactured from 304 SS and incorporate either an Inconel or Stainless Steel Disk which minimize the affects of varying processing temperatures. The ERD Series of Extruder Rupture Disks from DME Molding Supplies are offered in a wide variety of lengths and configurations. Standard stock assemblies are available in burst pressures ranging from 1,500 up to 15,000 psi, and lengths from 1.82" up to 12".*

*Several different mounting threads are offered on the GPMS Line of ERD Series Extruder Rupture Disks that are commonly found on plastics extrusion machinery.*



featuring the best of:

Northern Supply (800-365-6565) • Nickerson Machinery (800-821-9534) • OHS (Ontario-888-809-7050/Quebec-888-475-9224)

195a

B

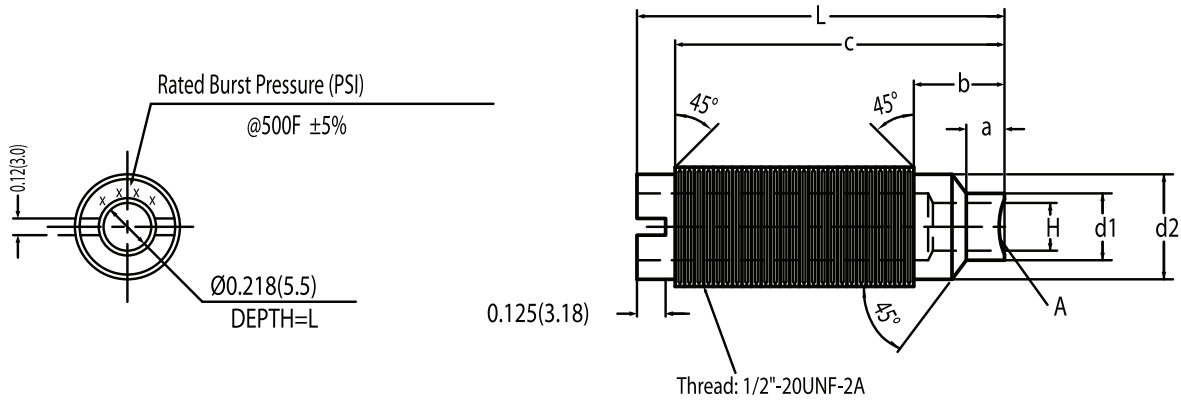
# GPMS Rupture Disks

1/2" - 20 Mounting Thread

1.8" Length

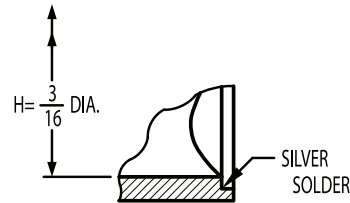


**GLOBAL  
PLASTIC  
MOULDING  
SUPPLIES**



a	b	c	L
0.250(6.35)	0.50(12.7)	1.63(41.40)	1.82(46.2)
0.234(5.94)			

H	d1	d2
3/16" (4.76)	Ø0.310(7.87)	Ø0.420(10.67)
	Ø0.305(7.75)	Ø0.410(10.41)



Part Number	Mounting Thread	Length	Head Styles	Discharge Connection	Burst Pressure	Price Each
<b>ERD2-1.5M</b>	1/2" 20 UNF	1.82"	Slotted	None	1,500	\$44.00
<b>ERD2-2.5M</b>	1/2" 20 UNF	1.82"	Slotted	None	2,500	\$44.00
<b>ERD2-3.5M</b>	1/2" 20 UNF	1.82"	Slotted	None	3,500	\$44.00
<b>ERD2-4.5M</b>	1/2" 20 UNF	1.82"	Slotted	None	4,500	\$44.00
<b>ERD2-5.5M</b>	1/2" 20 UNF	1.82"	Slotted	None	5,500	\$44.00
<b>ERD2-6.5M</b>	1/2" 20 UNF	1.82"	Slotted	None	6,500	\$44.00
<b>ERD2-7.5M</b>	1/2" 20 UNF	1.82"	Slotted	None	7,500	\$44.00
<b>ERD2-8.5M</b>	1/2" 20 UNF	1.82"	Slotted	None	8,500	\$44.00
<b>ERD2-9.5M</b>	1/2" 20 UNF	1.82"	Slotted	None	9,500	\$44.00
<b>ERD2-10.5M</b>	1/2" 20 UNF	1.82"	Slotted	None	10,500	\$44.00
<b>ERD2-12.5M</b>	1/2" 20 UNF	1.82"	Slotted	None	12,500	\$44.00
<b>ERD2-15M</b>	1/2" 20 UNF	1.82"	Slotted	None	15,000	\$44.00

195b

featuring the best of:

Northern Supply (800-365-6565) • Nickerson Machinery (800-821-9534) • OHS (Ontario-888-809-7050/Quebec-888-475-9224)

# GPMS Rupture Disks

## 1/2" - 20 Mounting Thread

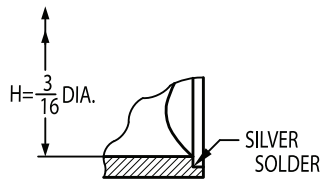


### 3" Length

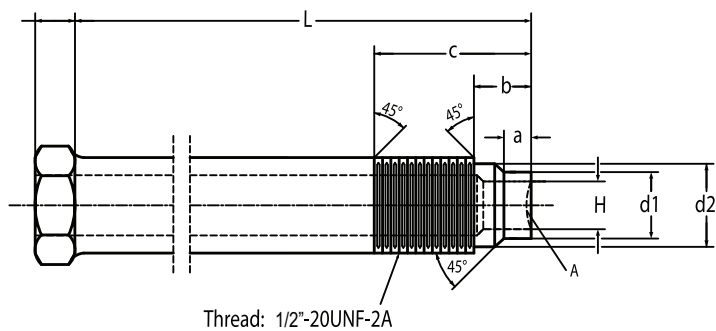
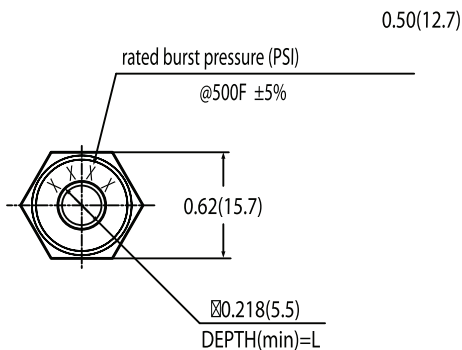


a	b	c	L
0.250(6.35) 0.234(5.94)	0.50(12.7)	1.81(45.97)	3.00(76.2)

H	d1	d2
3/16" (4.76)	Ø0.310(7.87) Ø0.305(7.75)	Ø0.420(10.67) Ø0.410(10.41)



DETAIL A



Thread: 1/2"-20UNF-2A

Part Number	Mounting Thread	Length	Head Styles	Discharge Connection	Burst Pressure	Price Each
<b>ERD3H1.5M</b>	1/2" 20 UNF	3"	Hex	None	1,500	\$94.00
<b>ERD3H2.5M</b>	1/2" 20 UNF	3"	Hex	None	2,500	\$94.00
<b>ERD3H3.5M</b>	1/2" 20 UNF	3"	Hex	None	3,500	\$94.00
<b>ERD3H4.5M</b>	1/2" 20 UNF	3"	Hex	None	4,500	\$94.00
<b>ERD3H5.5M</b>	1/2" 20 UNF	3"	Hex	None	5,500	\$94.00
<b>ERD3H6.5M</b>	1/2" 20 UNF	3"	Hex	None	6,500	\$94.00
<b>ERD3H7.5M</b>	1/2" 20 UNF	3"	Hex	None	7,500	\$94.00
<b>ERD3H8.5M</b>	1/2" 20 UNF	3"	Hex	None	8,500	\$94.00
<b>ERD3H9.5M</b>	1/2" 20 UNF	3"	Hex	None	9,500	\$94.00
<b>ERD3H10.5M</b>	1/2" 20 UNF	3"	Hex	None	10,500	\$94.00
<b>ERD3H12.5M</b>	1/2" 20 UNF	3"	Hex	None	12,500	\$94.00
<b>ERD3H15M</b>	1/2" 20 UNF	3"	Hex	None	15,000	\$94.00
<b>ERD3H1.5M14</b>	1/2" 20 UNF	3"	Hex	1/4" NPT	1,500	\$124.00
<b>ERD3H2.5M14</b>	1/2" 20 UNF	3"	Hex	1/4" NPT	2,500	\$124.00
<b>ERD3H3.5M14</b>	1/2" 20 UNF	3"	Hex	1/4" NPT	3,500	\$124.00
<b>ERD3H4.5M14</b>	1/2" 20 UNF	3"	Hex	1/4" NPT	4,500	\$124.00
<b>ERD3H5.5M14</b>	1/2" 20 UNF	3"	Hex	1/4" NPT	5,500	\$124.00
<b>ERD3H6.5M14</b>	1/2" 20 UNF	3"	Hex	1/4" NPT	6,500	\$124.00
<b>ERD3H7.5M14</b>	1/2" 20 UNF	3"	Hex	1/4" NPT	7,500	\$124.00
<b>ERD3H8.5M14</b>	1/2" 20 UNF	3"	Hex	1/4" NPT	8,500	\$124.00
<b>ERD3H9.5M14</b>	1/2" 20 UNF	3"	Hex	1/4" NPT	9,500	\$124.00
<b>ERD3H10.5M14</b>	1/2" 20 UNF	3"	Hex	1/4" NPT	10,500	\$124.00
<b>ERD3H12.5M14</b>	1/2" 20 UNF	3"	Hex	1/4" NPT	12,500	\$124.00
<b>ERD3H15M14</b>	1/2" 20 UNF	3"	Hex	1/4" NPT	15,000	\$124.00

featuring the best of:

**195c**

Northern Supply (800-365-6565) • Nickerson Machinery (800-821-9534) • OHS (Ontario-888-809-7050/Quebec-888-475-9224)

**B**

# GPMS Rupture Disks

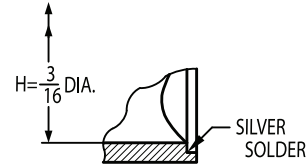
## 1/2" - 20 Mounting Thread

### 6" Length

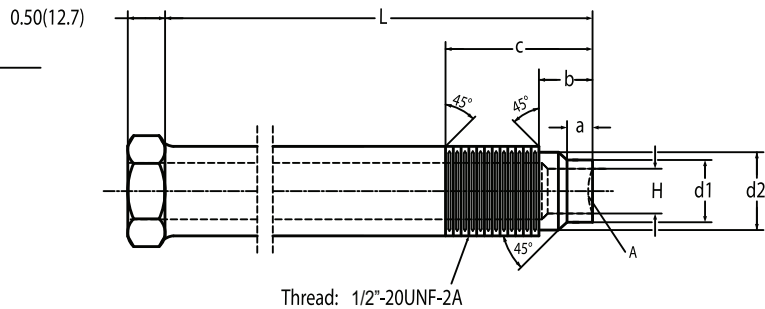
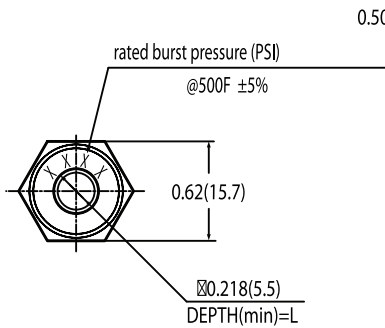


**GLOBAL  
PLASTIC  
MOULDING  
SUPPLIES**

a	b	c	L
0.250(6.35) 0.234(5.94)	0.50(12.7)	1.81(45.97)	6.00(152.4)
H	d1	d2	
3/16" (4.76)	Ø0.310(7.87) Ø0.305(7.75)	Ø0.420(10.67) Ø0.410(10.41)	



DETAIL A



Part Number	Mounting Thread	Length	Head Styles	Discharge Connection	Burst Pressure	Price Each
<b>ERD6H1.5M</b>	1/2" 20 UNF	6"	Hex	None	1,500	\$99.00
<b>ERD6H2.5M</b>	1/2" 20 UNF	6"	Hex	None	2,500	\$99.00
<b>ERD6H3.5M</b>	1/2" 20 UNF	6"	Hex	None	3,500	\$99.00
<b>ERD6H4.5M</b>	1/2" 20 UNF	6"	Hex	None	4,500	\$99.00
<b>ERD6H5.5M</b>	1/2" 20 UNF	6"	Hex	None	5,500	\$99.00
<b>ERD6H6.5M</b>	1/2" 20 UNF	6"	Hex	None	6,500	\$99.00
<b>ERD6H7.5M</b>	1/2" 20 UNF	6"	Hex	None	7,500	\$99.00
<b>ERD6H8.5M</b>	1/2" 20 UNF	6"	Hex	None	8,500	\$99.00
<b>ERD6H9.5M</b>	1/2" 20 UNF	6"	Hex	None	9,500	\$99.00
<b>ERD6H10.5M</b>	1/2" 20 UNF	6"	Hex	None	10,500	\$99.00
<b>ERD6H12.5M</b>	1/2" 20 UNF	6"	Hex	None	12,500	\$99.00
<b>ERD6H15M</b>	1/2" 20 UNF	6"	Hex	None	15,000	\$99.00
<b>ERD6H1.5M14</b>	1/2" 20 UNF	6"	Hex	1/4" NPT	1,500	\$129.00
<b>ERD6H2.5M14</b>	1/2" 20 UNF	6"	Hex	1/4" NPT	2,500	\$129.00
<b>ERD6H3.5M14</b>	1/2" 20 UNF	6"	Hex	1/4" NPT	3,500	\$129.00
<b>ERD6H4.5M14</b>	1/2" 20 UNF	6"	Hex	1/4" NPT	4,500	\$129.00
<b>ERD6H5.5M14</b>	1/2" 20 UNF	6"	Hex	1/4" NPT	5,500	\$129.00
<b>ERD6H6.5M14</b>	1/2" 20 UNF	6"	Hex	1/4" NPT	6,500	\$129.00
<b>ERD6H7.5M14</b>	1/2" 20 UNF	6"	Hex	1/4" NPT	7,500	\$129.00
<b>ERD6H8.5M14</b>	1/2" 20 UNF	6"	Hex	1/4" NPT	8,500	\$129.00
<b>ERD6H9.5M14</b>	1/2" 20 UNF	6"	Hex	1/4" NPT	9,500	\$129.00
<b>ERD6H10.5M14</b>	1/2" 20 UNF	6"	Hex	1/4" NPT	10,500	\$129.00
<b>ERD6H12.5M14</b>	1/2" 20 UNF	6"	Hex	1/4" NPT	12,500	\$129.00
<b>ERD6H15M14</b>	1/2" 20 UNF	6"	Hex	1/4" NPT	15,000	\$129.00

# GPMS Rupture Disks

## 1/2" - 20 Mounting Thread

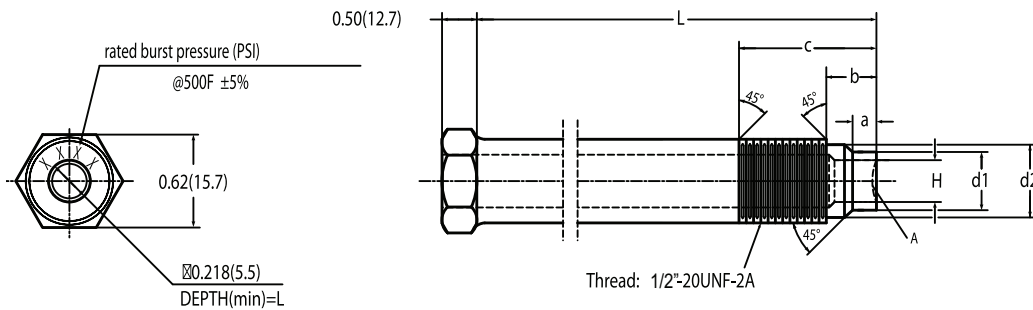
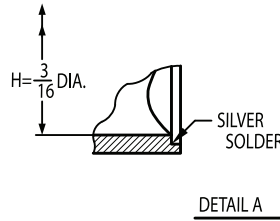


### 9" Length



a	b	c	L
0.250(6.35) 0.234(5.94)	0.50(12.7)	1.81(45.97)	9.0(228.6)

H	d1	d2
3/16" (4.76)	Ø0.310(7.87) Ø0.305(7.75)	Ø0.420(10.67) Ø0.410(10.41)



Part Number	Mounting Thread	Length	Head Styles	Discharge Connection	Burst Pressure	Price Each
<b>ERD9H1.5M</b>	1/2" 20 UNF	9"	Hex	None	1,500	\$124.00
<b>ERD9H2.5M</b>	1/2" 20 UNF	9"	Hex	None	2,500	\$124.00
<b>ERD9H3.5M</b>	1/2" 20 UNF	9"	Hex	None	3,500	\$124.00
<b>ERD9H4.5M</b>	1/2" 20 UNF	9"	Hex	None	4,500	\$124.00
<b>ERD9H5.5M</b>	1/2" 20 UNF	9"	Hex	None	5,500	\$124.00
<b>ERD9H6.5M</b>	1/2" 20 UNF	9"	Hex	None	6,500	\$124.00
<b>ERD9H7.5M</b>	1/2" 20 UNF	9"	Hex	None	7,500	\$124.00
<b>ERD9H8.5M</b>	1/2" 20 UNF	9"	Hex	None	8,500	\$124.00
<b>ERD9H9.5M</b>	1/2" 20 UNF	9"	Hex	None	9,500	\$124.00
<b>ERD9H10.5M</b>	1/2" 20 UNF	9"	Hex	None	10,500	\$124.00
<b>ERD9H12.5M</b>	1/2" 20 UNF	9"	Hex	None	12,500	\$124.00
<b>ERD9H15M</b>	1/2" 20 UNF	9"	Hex	None	15,000	\$124.00
<b>ERD9H1.5M14</b>	1/2" 20 UNF	9"	Hex	1/4" NPT	1,500	\$154.00
<b>ERD9H2.5M14</b>	1/2" 20 UNF	9"	Hex	1/4" NPT	2,500	\$154.00
<b>ERD9H3.5M14</b>	1/2" 20 UNF	9"	Hex	1/4" NPT	3,500	\$154.00
<b>ERD9H4.5M14</b>	1/2" 20 UNF	9"	Hex	1/4" NPT	4,500	\$154.00
<b>ERD9H5.5M14</b>	1/2" 20 UNF	9"	Hex	1/4" NPT	5,500	\$154.00
<b>ERD9H6.5M14</b>	1/2" 20 UNF	9"	Hex	1/4" NPT	6,500	\$154.00
<b>ERD9H7.5M14</b>	1/2" 20 UNF	9"	Hex	1/4" NPT	7,500	\$154.00
<b>ERD9H8.5M14</b>	1/2" 20 UNF	9"	Hex	1/4" NPT	8,500	\$154.00
<b>ERD9H9.5M14</b>	1/2" 20 UNF	9"	Hex	1/4" NPT	9,500	\$154.00
<b>ERD9H10.5M14</b>	1/2" 20 UNF	9"	Hex	1/4" NPT	10,500	\$154.00
<b>ERD9H12.5M14</b>	1/2" 20 UNF	9"	Hex	1/4" NPT	12,500	\$154.00
<b>ERD9H15M14</b>	1/2" 20 UNF	9"	Hex	1/4" NPT	15,000	\$154.00

featuring the best of:

**195e**

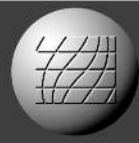
Northern Supply (800-365-6565) • Nickerson Machinery (800-821-9534) • OHS (Ontario-888-809-7050/Quebec-888-475-9224)

**B**

# GPMS Rupture Disks

## 1/2" - 20 Mounting Thread

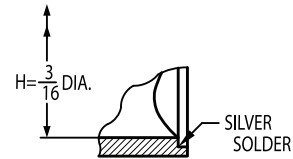
### 12" Length



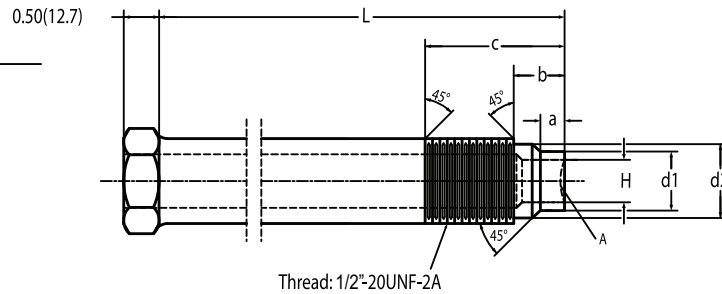
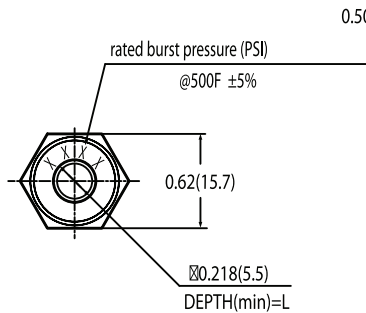
**GLOBAL  
PLASTIC  
MOULDING  
SUPPLIES**

a	b	c	L
0.250(6.35) 0.234(5.94)	0.50(12.7)	1.81(45.97)	12.0(304.8)

H	d1	d2
3/16" (4.76)	Ø0.310(7.87) Ø0.305(7.75)	Ø0.420(10.67) Ø0.410(10.41)



DETAIL A



Part Number	Mounting Thread	Length	Head Styles	Discharge Connection	Burst Pressure	Price Each
<b>ERD12H1.5M</b>	1/2" 20 UNF	12"	Hex	None	1,500	\$154.00
<b>ERD12H2.5M</b>	1/2" 20 UNF	12"	Hex	None	2,500	\$154.00
<b>ERD12H3.5M</b>	1/2" 20 UNF	12"	Hex	None	3,500	\$154.00
<b>ERD12H4.5M</b>	1/2" 20 UNF	12"	Hex	None	4,500	\$154.00
<b>ERD12H5.5M</b>	1/2" 20 UNF	12"	Hex	None	5,500	\$154.00
<b>ERD12H6.5M</b>	1/2" 20 UNF	12"	Hex	None	6,500	\$154.00
<b>ERD12H7.5M</b>	1/2" 20 UNF	12"	Hex	None	7,500	\$154.00
<b>ERD12H8.5M</b>	1/2" 20 UNF	12"	Hex	None	8,500	\$154.00
<b>ERD12H9.5M</b>	1/2" 20 UNF	12"	Hex	None	9,500	\$154.00
<b>ERD12H10.5M</b>	1/2" 20 UNF	12"	Hex	None	10,500	\$154.00
<b>ERD12H12.5M</b>	1/2" 20 UNF	12"	Hex	None	12,500	\$154.00
<b>ERD12H15M</b>	1/2" 20 UNF	12"	Hex	None	15,000	\$154.00
<b>ERD12H1.5M14</b>	1/2" 20 UNF	12"	Hex	1/4" NPT	1,500	\$184.00
<b>ERD12H2.5M14</b>	1/2" 20 UNF	12"	Hex	1/4" NPT	2,500	\$184.00
<b>ERD12H3.5M14</b>	1/2" 20 UNF	12"	Hex	1/4" NPT	3,500	\$184.00
<b>ERD12H4.5M14</b>	1/2" 20 UNF	12"	Hex	1/4" NPT	4,500	\$184.00
<b>ERD12H5.5M14</b>	1/2" 20 UNF	12"	Hex	1/4" NPT	5,500	\$184.00
<b>ERD12H6.5M14</b>	1/2" 20 UNF	12"	Hex	1/4" NPT	6,500	\$184.00
<b>ERD12H7.5M14</b>	1/2" 20 UNF	12"	Hex	1/4" NPT	7,500	\$184.00
<b>ERD12H8.5M14</b>	1/2" 20 UNF	12"	Hex	1/4" NPT	8,500	\$184.00
<b>ERD12H9.5M14</b>	1/2" 20 UNF	12"	Hex	1/4" NPT	9,500	\$184.00
<b>ERD12H10.5M14</b>	1/2" 20 UNF	12"	Hex	1/4" NPT	10,500	\$184.00
<b>ERD12H12.5M14</b>	1/2" 20 UNF	12"	Hex	1/4" NPT	12,500	\$184.00
<b>ERD12H15M14</b>	1/2" 20 UNF	12"	Hex	1/4" NPT	15,000	\$184.00

195f

featuring the best of:

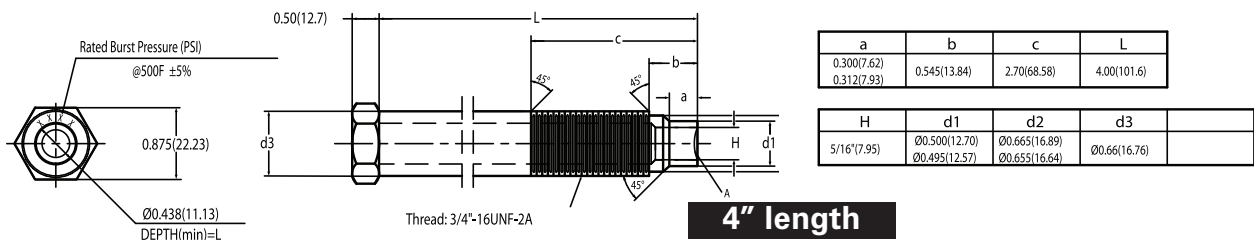
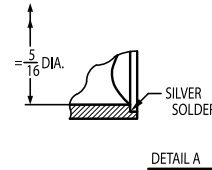
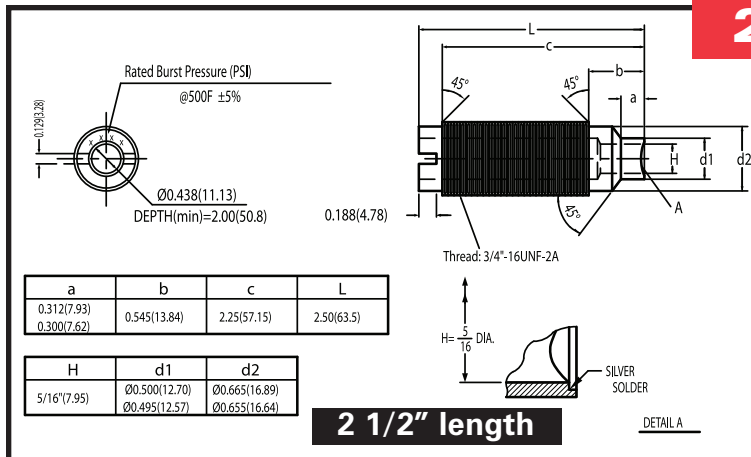
Northern Supply (800-365-6565) • Nickerson Machinery (800-821-9534) • OHS (Ontario-888-809-7050/Quebec-888-475-9224)

# GPMS Rupture Disks

## 3/4" - 16 Mounting Thread



### 2 1/2" & 4" Length



Part Number	Mounting Thread	Length	Head Styles	Discharge Connection	Burst Pressure	Price Each
<b>ERD2-34-3.5M</b>	3/4" 16 UNF	2-1/2"	Slotted	None	3,500	\$137.00
<b>ERD2-34-4.5M</b>	3/4" 16 UNF	2-1/2"	Slotted	None	4,500	\$137.00
<b>ERD2-34-5M</b>	3/4" 16 UNF	2-1/2"	Slotted	None	5,000	\$137.00
<b>ERD2-34-7.5M</b>	3/4" 16 UNF	2-1/2"	Slotted	None	7,500	\$137.00
<b>ERD2-34-8.5M</b>	3/4" 16 UNF	2-1/2"	Slotted	None	8,500	\$137.00
<b>ERD2-34-9M</b>	3/4" 16 UNF	2-1/2"	Slotted	None	9,000	\$137.00
<b>ERD2-34-9.5M</b>	3/4" 16 UNF	2-1/2"	Slotted	None	9,500	\$137.00
<b>ERD4H34-3.5M</b>	3/4" 16 UNF	4"	Hex	None	3,500	\$194.00
<b>ERD4H34-4.5M</b>	3/4" 16 UNF	4"	Hex	None	4,500	\$194.00
<b>ERD4H34-5M</b>	3/4" 16 UNF	4"	Hex	None	5,000	\$194.00
<b>ERD4H34-7.5M</b>	3/4" 16 UNF	4"	Hex	None	7,500	\$194.00
<b>ERD4H34-8.5M</b>	3/4" 16 UNF	4"	Hex	None	8,500	\$194.00
<b>ERD4H34-9M</b>	3/4" 16 UNF	4"	Hex	None	9,000	\$194.00
<b>ERD4H34-9.5M</b>	3/4" 16 UNF	4"	Hex	None	9,500	\$194.00
<b>ERD4H34-3.5M12</b>	3/4" 16 UNF	4"	Hex	1/2" NPT	3,500	\$240.00
<b>ERD4H34-4.5M12</b>	3/4" 16 UNF	4"	Hex	1/2" NPT	4,500	\$240.00
<b>ERD4H34-5M12</b>	3/4" 16 UNF	4"	Hex	1/2" NPT	5,000	\$240.00
<b>ERD4H34-7.5M12</b>	3/4" 16 UNF	4"	Hex	1/2" NPT	7,500	\$240.00
<b>ERD4H34-8.5M12</b>	3/4" 16 UNF	4"	Hex	1/2" NPT	8,500	\$240.00
<b>ERD4H34-9M12</b>	3/4" 16 UNF	4"	Hex	1/2" NPT	9,000	\$240.00
<b>ERD4H34-9.5M12</b>	3/4" 16 UNF	4"	Hex	1/2" NPT	9,500	\$240.00
<b>ERD4H34S3.5M12</b>	<b>3/4" 16 UNF Short Thread</b>	4"	Hex	1/2" NPT	3,500	\$240.00
<b>ERD4H34S4.5M12</b>		4"	Hex	1/2" NPT	4,500	\$240.00
<b>ERD4H34S5M12</b>		4"	Hex	1/2" NPT	5,000	\$240.00
<b>ERD4H34S7.5M12</b>		4"	Hex	1/2" NPT	7,500	\$240.00
<b>ERD4H34S8.5M12</b>		4"	Hex	1/2" NPT	8,500	\$240.00
<b>ERD4H34S9M12</b>		4"	Hex	1/2" NPT	9,000	\$240.00
<b>ERD4H34S9.5M12</b>		4"	Hex	1/2" NPT	9,500	\$240.00

featuring the best of:

**195g**

Northern Supply (800-365-6565) • Nickerson Machinery (800-821-9534) • OHS (Ontario-888-809-7050/Quebec-888-475-9224)

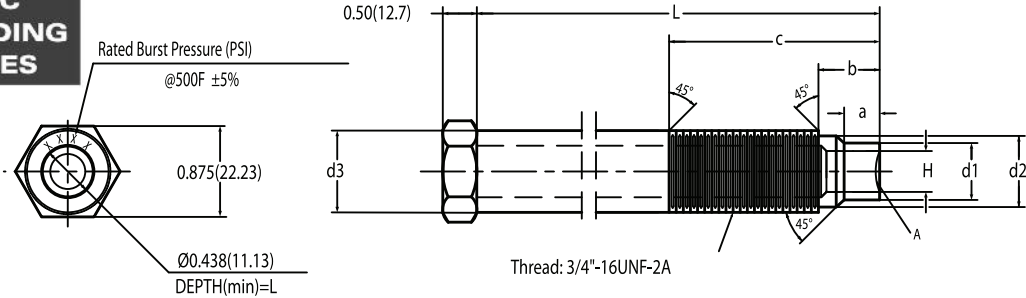
**B**

# GPMS Rupture Disks

## 3/4" - 16 Mounting Thread

### 6" & 7" Length

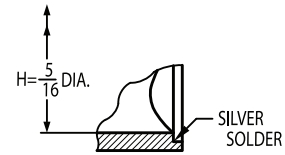
RD6H-xM-3/4  
Dimensional Drawing Inches(mm)



#### 6" length

a	b	c	L
0.300(7.62) 0.312(7.93)	0.545(13.84)	2.70(68.58)	6.00(152.4)

H	d1	d2	d3
5/16"(7.95)	Ø0.500(12.70) Ø0.495(12.57)	Ø0.665(16.89) Ø0.655(16.64)	Ø0.66(16.76)



DETAIL A

DATE: September/2007 V1.0

Part Number	Mounting Thread	Length	Head Styles	Discharge Connection	Burst Pressure	Price Each
<b>ERD6H34-3.5M</b>	3/4" 16 UNF	6"	Hex	None	3,500	\$200.00
<b>ERD6H34-4.5M</b>	3/4" 16 UNF	6"	Hex	None	4,500	\$200.00
<b>ERD6H34-5M</b>	3/4" 16 UNF	6"	Hex	None	5,000	\$200.00
<b>ERD6H34-7.5M</b>	3/4" 16 UNF	6"	Hex	None	7,500	\$200.00
<b>ERD6H34-8.5M</b>	3/4" 16 UNF	6"	Hex	None	8,500	\$200.00
<b>ERD6H34-9M</b>	3/4" 16 UNF	6"	Hex	None	9,000	\$200.00
<b>ERD6H34-9.5M</b>	3/4" 16 UNF	6"	Hex	None	9,500	\$200.00
<b>ERD7H34-3.5M12</b>	3/4" 16 UNF	7"	Hex	1/2" NPT	3,500	\$258.00
<b>ERD7H34-4.5M12</b>	3/4" 16 UNF	7"	Hex	1/2" NPT	4,500	\$258.00
<b>ERD7H34-5M12</b>	3/4" 16 UNF	7"	Hex	1/2" NPT	5,000	\$258.00
<b>ERD7H34-7.5M12</b>	3/4" 16 UNF	7"	Hex	1/2" NPT	7,500	\$258.00
<b>ERD7H34-8.5M12</b>	3/4" 16 UNF	7"	Hex	1/2" NPT	8,500	\$258.00
<b>ERD7H34-9M12</b>	3/4" 16 UNF	7"	Hex	1/2" NPT	9,000	\$258.00
<b>ERD7H34-9.5M12</b>	3/4" 16 UNF	7"	Hex	1/2" NPT	9,500	\$258.00
<b>ERD7H34S3.5M12</b>	3/4" 16 UNF <i>Short Thread</i>	7"	Hex	1/2" NPT	3,500	\$258.00
<b>ERD7H34S4.5M12</b>		7"	Hex	1/2" NPT	4,500	\$258.00
<b>ERD7H34S5M12</b>		7"	Hex	1/2" NPT	5,000	\$258.00
<b>ERD7H34S7.5M12</b>		7"	Hex	1/2" NPT	7,500	\$258.00
<b>ERD7H34S8.5M12</b>		7"	Hex	1/2" NPT	8,500	\$258.00
<b>ERD7H34S9M12</b>		7"	Hex	1/2" NPT	9,000	\$258.00
<b>ERD7H34S9.5M12</b>		7"	Hex	1/2" NPT	9,500	\$258.00

195h

featuring the best of:

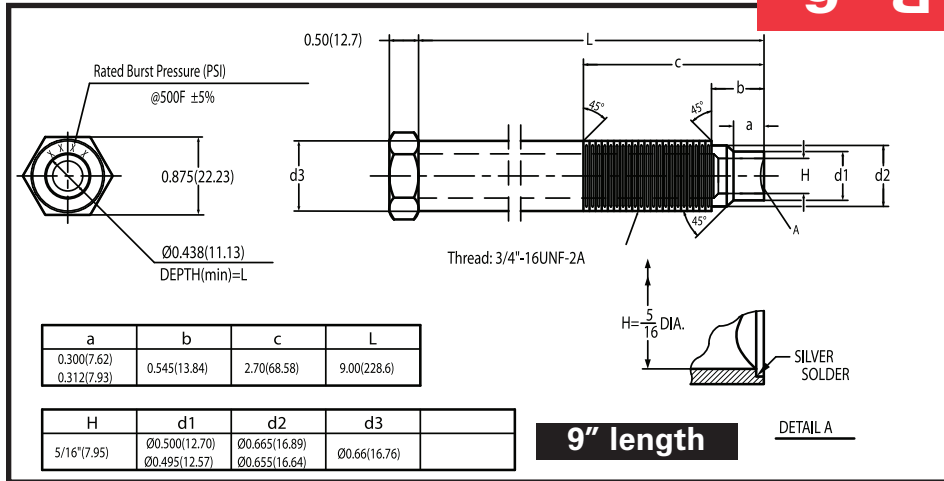
Northern Supply (800-365-6565) • Nickerson Machinery (800-821-9534) • OHS (Ontario-888-809-7050/Quebec-888-475-9224)

# GPMS Rupture Disks

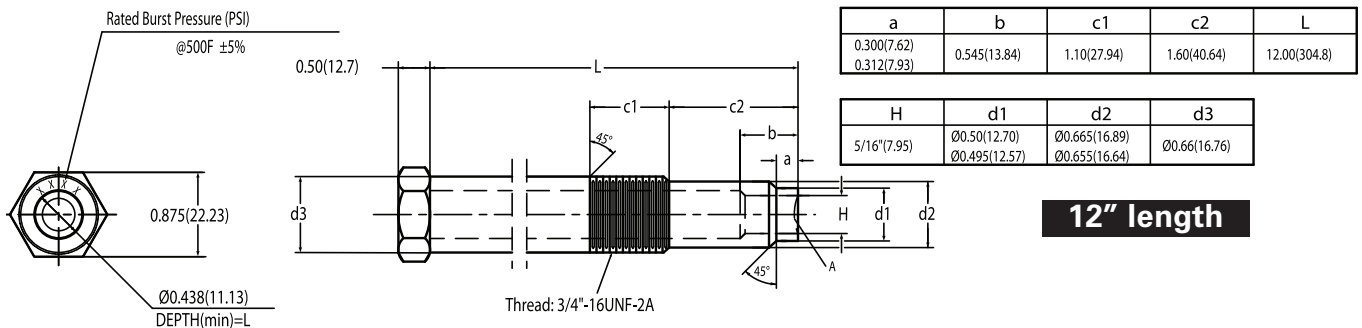
## 3/4" - 16 Mounting Thread



## 9" & 12" Length



**B**



Part Number	Mounting Thread	Length	Head Styles	Discharge Connection	Burst Pressure	Price Each
<b>ERD9H34S3.5M</b>	<b>3/4" 16 UNF Short Thread</b>	9"	Hex	None	3,500	\$229.00
<b>ERD9H34S4.5M</b>		9"	Hex	None	4,500	\$229.00
<b>ERD9H34S5M</b>		9"	Hex	None	5,000	\$229.00
<b>ERD9H34S7.5M</b>		9"	Hex	None	7,500	\$229.00
<b>ERD9H34S8.5M</b>		9"	Hex	None	8,500	\$229.00
<b>ERD9H34S9M</b>		9"	Hex	None	9,000	\$229.00
<b>ERD9H34S9.5M</b>		9"	Hex	None	9,500	\$229.00
<b>ERD12H34S3.5M</b>	<b>3/4" 16 UNF Short Thread</b>	12"	Hex	None	3,500	\$263.00
<b>ERD12H34S4.5M</b>		12"	Hex	None	4,500	\$263.00
<b>ERD12H34S5M</b>		12"	Hex	None	5,000	\$263.00
<b>ERD12H34S7.5M</b>		12"	Hex	None	7,500	\$263.00
<b>ERD12H34S8.5M</b>		12"	Hex	None	8,500	\$263.00
<b>ERD12H34S9M</b>		12"	Hex	None	9,000	\$263.00
<b>ERD12H34S9.5M</b>		12"	Hex	None	9,500	\$263.00

featuring the best of:

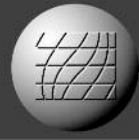
**195i**

Northern Supply (800-365-6565) • Nickerson Machinery (800-821-9534) • OHS (Ontario-888-809-7050/Quebec-888-475-9224)

# GPMS Rupture Disks

## 5/8" - 11 Mounting Thread

### 4" & 6" Length



**GLOBAL  
PLASTIC  
MOULDING  
SUPPLIES**

*\*Note: No 4" length drawing currently unavailable.  
See following page for 6" length drawing.*

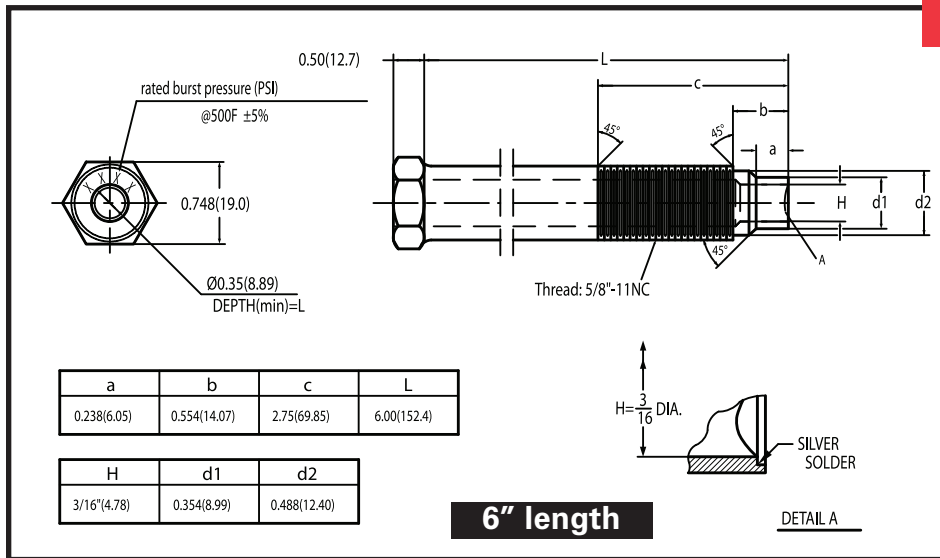
Part Number	Mounting Thread	Length	Head Styles	Discharge Connection	Burst Pressure	Price Each
<b>ERD4H58-1.5M</b>	5/8" 11 NC	4"	Hex	None	1,500	\$149.00
<b>ERD4H58-2.5M</b>	5/8" 11 NC	4"	Hex	None	2,500	\$149.00
<b>ERD4H58-3.5M</b>	5/8" 11 NC	4"	Hex	None	3,500	\$149.00
<b>ERD4H58-4.5M</b>	5/8" 11 NC	4"	Hex	None	4,500	\$149.00
<b>ERD4H58-5.5M</b>	5/8" 11 NC	4"	Hex	None	5,500	\$149.00
<b>ERD4H58-6.5M</b>	5/8" 11 NC	4"	Hex	None	6,500	\$149.00
<b>ERD4H58-7.5M</b>	5/8" 11 NC	4"	Hex	None	7,600	\$149.00
<b>ERD4H58-8.5M</b>	5/8" 11 NC	4"	Hex	None	8,500	\$149.00
<b>ERD4H58-9.5M</b>	5/8" 11 NC	4"	Hex	None	9,500	\$149.00
<b>ERD4H58-10.5M</b>	5/8" 11 NC	4"	Hex	None	10,500	\$149.00
<b>ERD4H58-12.5M</b>	5/8" 11 NC	4"	Hex	None	12,500	\$149.00
<b>ERD4H58-15M</b>	5/8" 11 NC	4"	Hex	None	15,000	\$149.00
<b>ERD6H58-1.5M</b>	5/8" 11 NC	6"	Hex	None	1,500	\$154.00
<b>ERD6H58-2.5M</b>	5/8" 11 NC	6"	Hex	None	2,500	\$154.00
<b>ERD6H58-3.5M</b>	5/8" 11 NC	6"	Hex	None	3,500	\$154.00
<b>ERD6H58-4.5M</b>	5/8" 11 NC	6"	Hex	None	4,500	\$154.00
<b>ERD6H58-5.5M</b>	5/8" 11 NC	6"	Hex	None	5,500	\$154.00
<b>ERD6H58-6.5M</b>	5/8" 11 NC	6"	Hex	None	6,500	\$154.00
<b>ERD6H58-7.5M</b>	5/8" 11 NC	6"	Hex	None	7,600	\$154.00
<b>ERD6H58-8.5M</b>	5/8" 11 NC	6"	Hex	None	8,500	\$154.00
<b>ERD6H58-9.5M</b>	5/8" 11 NC	6"	Hex	None	9,500	\$154.00
<b>ERD6H58-10.5M</b>	5/8" 11 NC	6"	Hex	None	10,500	\$154.00
<b>ERD6H58-12.5M</b>	5/8" 11 NC	6"	Hex	None	12,500	\$154.00
<b>ERD6H58-15M</b>	5/8" 11 NC	6"	Hex	None	15,000	\$154.00
<b>ERD6H58-1.5M14</b>	5/8" 11 NC	6"	Hex	1/4" NPT	1,500	\$184.00
<b>ERD6H58-2.5M14</b>	5/8" 11 NC	6"	Hex	1/4" NPT	2,500	\$184.00
<b>ERD6H58-3.5M14</b>	5/8" 11 NC	6"	Hex	1/4" NPT	3,500	\$184.00
<b>ERD6H58-4.5M14</b>	5/8" 11 NC	6"	Hex	1/4" NPT	4,500	\$184.00
<b>ERD6H58-5.5M14</b>	5/8" 11 NC	6"	Hex	1/4" NPT	5,500	\$184.00
<b>ERD6H58-6.5M14</b>	5/8" 11 NC	6"	Hex	1/4" NPT	6,500	\$184.00
<b>ERD6H58-7.5M14</b>	5/8" 11 NC	6"	Hex	1/4" NPT	7,600	\$184.00
<b>ERD6H58-8.5M14</b>	5/8" 11 NC	6"	Hex	1/4" NPT	8,500	\$184.00
<b>ERD6H58-9.5M14</b>	5/8" 11 NC	6"	Hex	1/4" NPT	9,500	\$184.00
<b>ERD6H58-10.5M14</b>	5/8" 11 NC	6"	Hex	1/4" NPT	10,500	\$184.00
<b>ERD6H58-12.5M14</b>	5/8" 11 NC	6"	Hex	1/4" NPT	12,500	\$184.00
<b>ERD6H58-15M14</b>	5/8" 11 NC	6"	Hex	1/4" NPT	15,000	\$184.00

# GPMS Rupture Disks

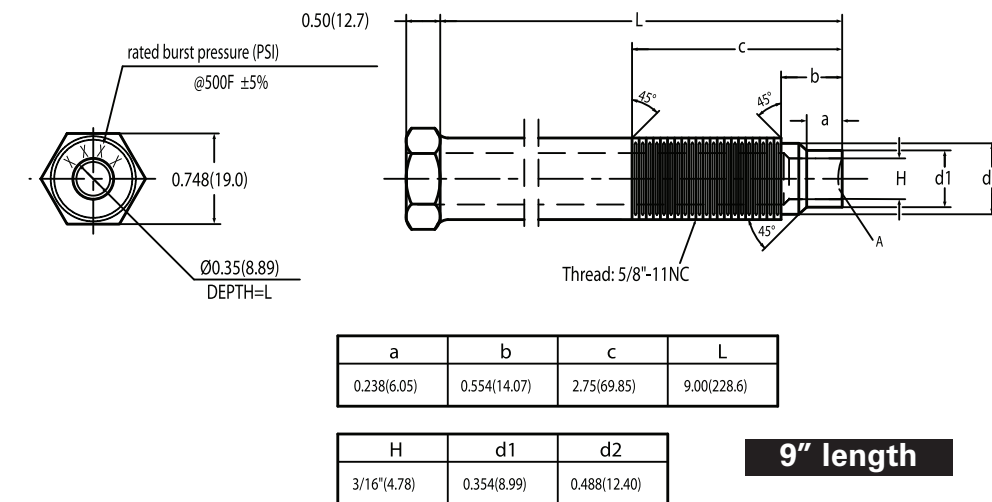
## 5/8" - 11 Mounting Thread



### 9" Length



**B**



Part Number	Mounting Thread	Length	Head Styles	Discharge Connection	Burst Pressure	Price Each
<b>ERD9H58-1.5M</b>	5/8" 11 NC	9"	Hex	None	1,500	\$179.00
<b>ERD9H58-2.5M</b>	5/8" 11 NC	9"	Hex	None	2,500	\$179.00
<b>ERD9H58-3.5M</b>	5/8" 11 NC	9"	Hex	None	3,500	\$179.00
<b>ERD9H58-4.5M</b>	5/8" 11 NC	9"	Hex	None	4,500	\$179.00
<b>ERD9H58-5.5M</b>	5/8" 11 NC	9"	Hex	None	5,500	\$179.00
<b>ERD9H58-6.5M</b>	5/8" 11 NC	9"	Hex	None	6,500	\$179.00
<b>ERD9H58-7.5M</b>	5/8" 11 NC	9"	Hex	None	7,600	\$179.00
<b>ERD9H58-8.5M</b>	5/8" 11 NC	9"	Hex	None	8,500	\$179.00
<b>ERD9H58-9.5M</b>	5/8" 11 NC	9"	Hex	None	9,500	\$179.00
<b>ERD9H58-10.5M</b>	5/8" 11 NC	9"	Hex	None	10,500	\$179.00
<b>ERD9H58-12.5M</b>	5/8" 11 NC	9"	Hex	None	12,500	\$179.00
<b>ERD9H58-15M</b>	5/8" 11 NC	9"	Hex	None	15,000	\$179.00

featuring the best of:

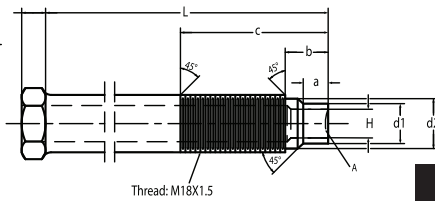
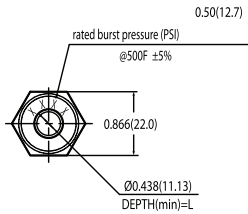
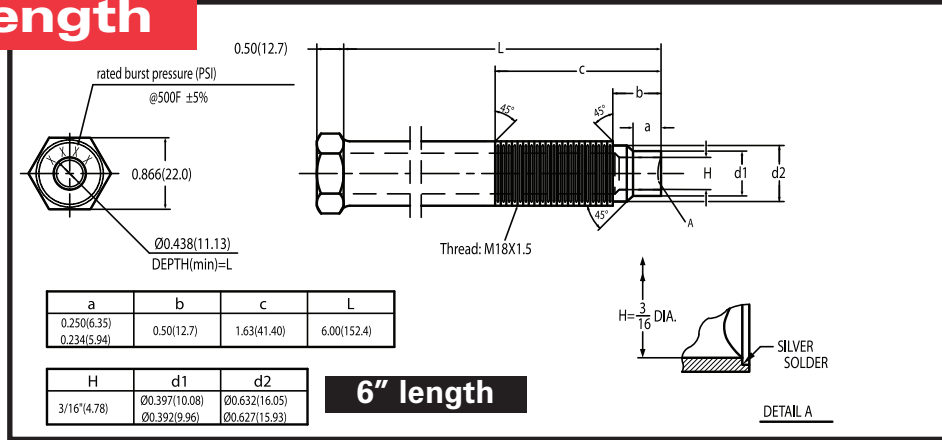
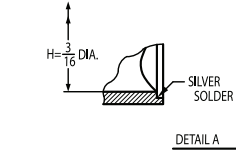
**195k**

Northern Supply (800-365-6565) • Nickerson Machinery (800-821-9534) • OHS (Ontario-888-809-7050/Quebec-888-475-9224)

# GPMS Rupture Disks

## M18 x 1.5 Mounting Thread

### 6" & 12" Length



Part Number	Mounting Thread	Length	Head Styles	Discharge Connection	Burst Pressure	Price Each
<b>ERD6HM18-1.5M</b>	M18 x 1.5	6"	Hex	None	1,500	\$174.00
<b>ERD6HM18-2.5M</b>	M18 x 1.5	6"	Hex	None	2,500	\$174.00
<b>ERD6HM18-3.5M</b>	M18 x 1.5	6"	Hex	None	3,500	\$174.00
<b>ERD6HM18-4.5M</b>	M18 x 1.5	6"	Hex	None	4,500	\$174.00
<b>ERD6HM18-5.5M</b>	M18 x 1.5	6"	Hex	None	5,500	\$174.00
<b>ERD6HM18-6.5M</b>	M18 x 1.5	6"	Hex	None	6,500	\$174.00
<b>ERD6HM18-7.5M</b>	M18 x 1.5	6"	Hex	None	7,600	\$174.00
<b>ERD6HM18-8.5M</b>	M18 x 1.5	6"	Hex	None	8,500	\$174.00
<b>ERD6HM18-9.5M</b>	M18 x 1.5	6"	Hex	None	9,500	\$174.00
<b>ERD6HM18-10.5M</b>	M18 x 1.5	6"	Hex	None	10,500	\$174.00
<b>ERD6HM18-12.5M</b>	M18 x 1.5	6"	Hex	None	12,500	\$174.00
<b>ERD6HM18-15M</b>	M18 x 1.5	6"	Hex	None	15,000	\$174.00
<b>ERD12HM18-1.5M</b>	M18 x 1.5	12"	Hex	None	1,500	\$229.00
<b>ERD12HM18-2.5M</b>	M18 x 1.5	12"	Hex	None	2,500	\$229.00
<b>ERD12HM18-3.5M</b>	M18 x 1.5	12"	Hex	None	3,500	\$229.00
<b>ERD12HM18-4.5M</b>	M18 x 1.5	12"	Hex	None	4,500	\$229.00
<b>ERD12HM18-5.5M</b>	M18 x 1.5	12"	Hex	None	5,500	\$229.00
<b>ERD12HM18-6.5M</b>	M18 x 1.5	12"	Hex	None	6,500	\$229.00
<b>ERD12HM18-7.5M</b>	M18 x 1.5	12"	Hex	None	7,600	\$229.00
<b>ERD12HM18-8.5M</b>	M18 x 1.5	12"	Hex	None	8,500	\$229.00
<b>ERD12HM18-9.5M</b>	M18 x 1.5	12"	Hex	None	9,500	\$229.00
<b>ERD12HM18-10.5M</b>	M18 x 1.5	12"	Hex	None	10,500	\$229.00
<b>ERD12HM18-12.5M</b>	M18 x 1.5	12"	Hex	None	12,500	\$229.00
<b>ERD12HM18-15M</b>	M18 x 1.5	12"	Hex	None	15,000	\$229.00