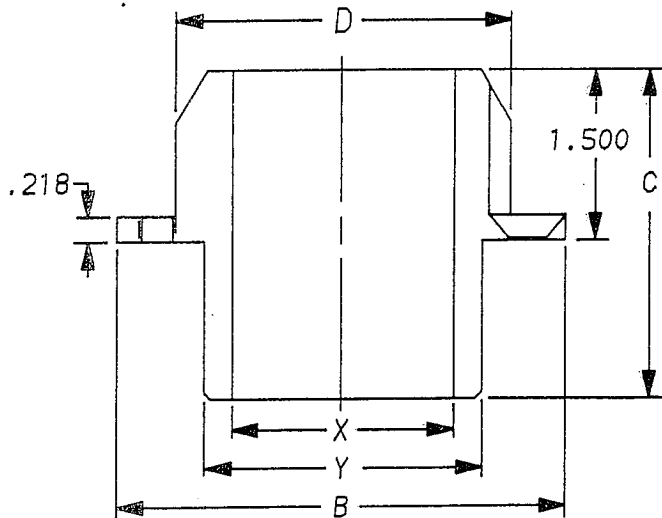
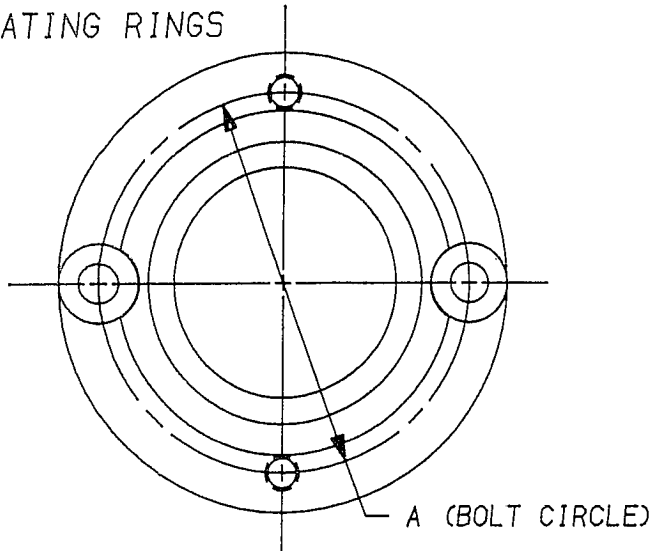


THE HOT ONE INSTALLATION DATA
 LOCATING RINGS - NOZZLE SEATS - RISER PADS
 SPACER RINGS - CENTER SUPPORT PADS

REFER TO: MINI PRINT #1800

Please read carefully before installing components

LOCATING RINGS



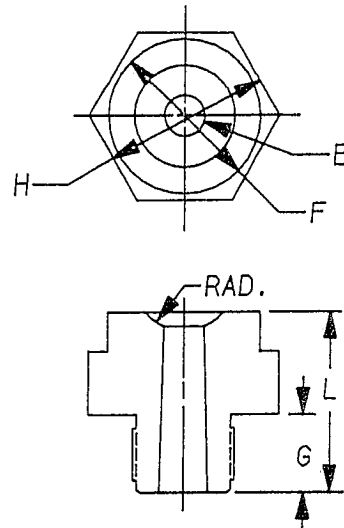
CAT. NO.	D DIA.	X DIA.	Y DIA.	A DIA.	B DIA.	C DIM.
EHL0252	2.990	2.000	2.500	3.312	4.000	2.875
EHL0253	3.990	3.250	3.750	4.625	5.500	2.875
EHL0254	2.990	2.000	2.500	3.312	4.000	4.500
EHL0255	3.990	3.250	3.750	4.625	5.500	4.500

ALL LOCATING RINGS ARE SUPPLIED WITH:
 (2) 5/16-18 X 1/2" LG. FLAT HEAD SCREWS.

NOTE:

CUSTOMER TO ALTER BOTTOM OF LOCATING RING TO PROVIDE .04/.06 CLEARANCE BETWEEN THE MANIFOLD SURFACE AND THE BOTTOM SURFACE OF THE LOCATING RING.

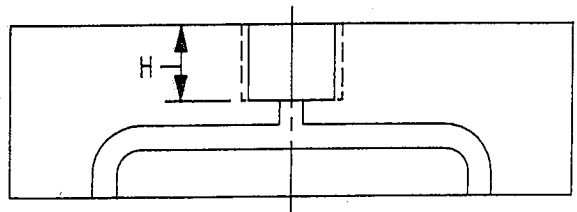
NOZZLE SEATS



CAT. NO.	RAD.	E DIA.	F DIA.	L DIM.	THREAD SIZE	G DIM.	H HEX.
EHN0001	.500	.312	1.25	1.125	3/4-16	.62	1.50
EHN0002	.750						
EHN0003	.500	.375	1.50	1.750	1"-12	.75	1.88
EHN0004	.750						

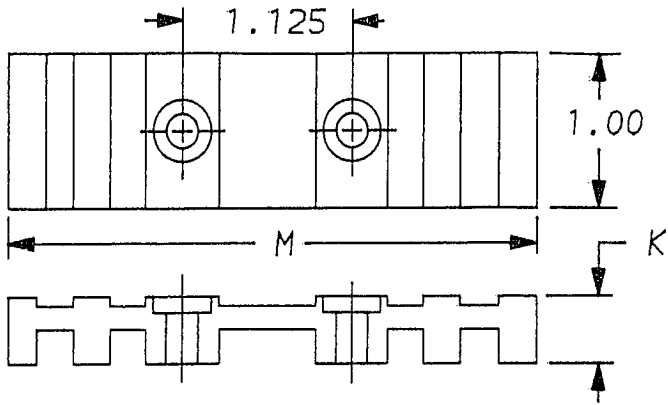
NOTE:

APPLY TEFLON SEALING COMPOUND TO NOZZLE SEAT THREADS BEFORE INSTALLING INTO MANIFOLD. RECOMMENDED TORQUE IS 40/50 LB.FT. TO TIGHTEN THE NOZZLE SEAT.



CAT. NO.	H DIM.
EHN0001	.56
EHN0002	
EHN0003	.69
EHN0004	

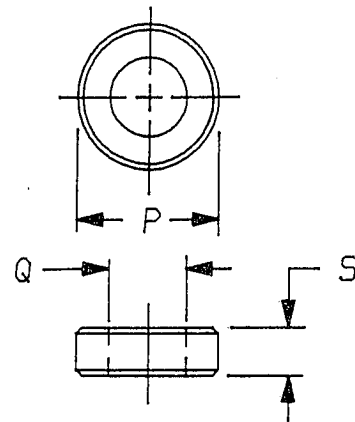
RISER PADS



CAT. NO.	K DIM. $\begin{smallmatrix} +.010 \\ -.000 \end{smallmatrix}$	M DIM.	USED WITH
ERP0163	.250	4.000	GATE MATE 4, 250 AND 375 SERIES
ERP0167	.375		
ERP0164	.750		
ERP0165	.250	5.000	625 SERIES
ERP0168	.375		
ERP0166	.750		

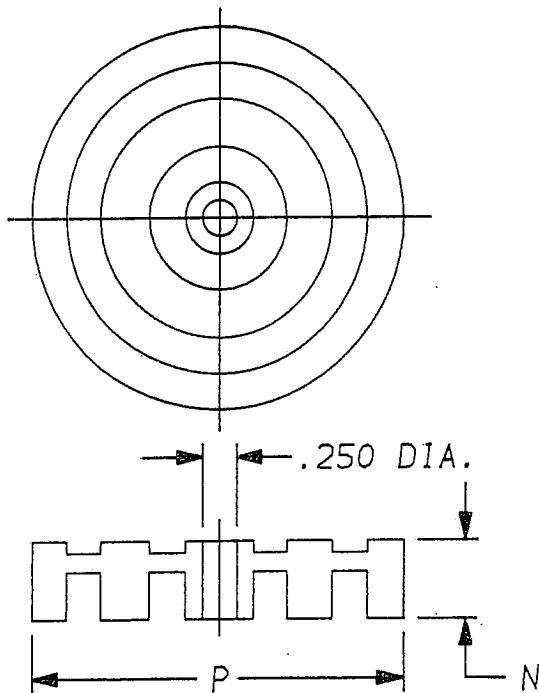
ALL RISER PADS ARE SUPPLIED WITH:
(2) #10-24 LOW HEAD CAP SCREWS

SPACER RINGS



CAT. NO.	$\begin{smallmatrix} +.010 \\ -.000 \end{smallmatrix}$ S DIM.	Q. DIA.	P DIA.	USED WITH S.H.C.S.
ESR0157	.250	.406	.75	3/8-16
ESR0158	.750			
ESR0159	.250	.531	.94	1/2-13
ESR0160	.750			

CENTER SUPPORT PADS



CAT. NO.	N DIM. $\begin{smallmatrix} +.010 \\ -.000 \end{smallmatrix}$	P DIA.
ECB0161	.250	2.500
ECB0162	.750	
ECB0163	.250	1.500
ECB0164	.750	

NOTE:

CUSTOMER TO ALTER HEIGHT OF RISER PADS, SPACER RINGS AND CENTER SUPPORT PADS TO MAINTAIN EQUAL DISTANCE BETWEEN THE MOLD BASE AND THE MANIFOLD. (ALL RISER PADS, SPACER RINGS AND CENTER SUPPORT PADS HAVE $\begin{smallmatrix} +.010 \\ -.000 \end{smallmatrix}$ TOLERANCES ON THERE HEIGHT.)



29111 STEPHENSON HIGHWAY
MADISON HEIGHTS, MICHIGAN
48071 U.S.A.
1-800-626-6653

HT-9999 9-96
ME-0741-PS-067-B